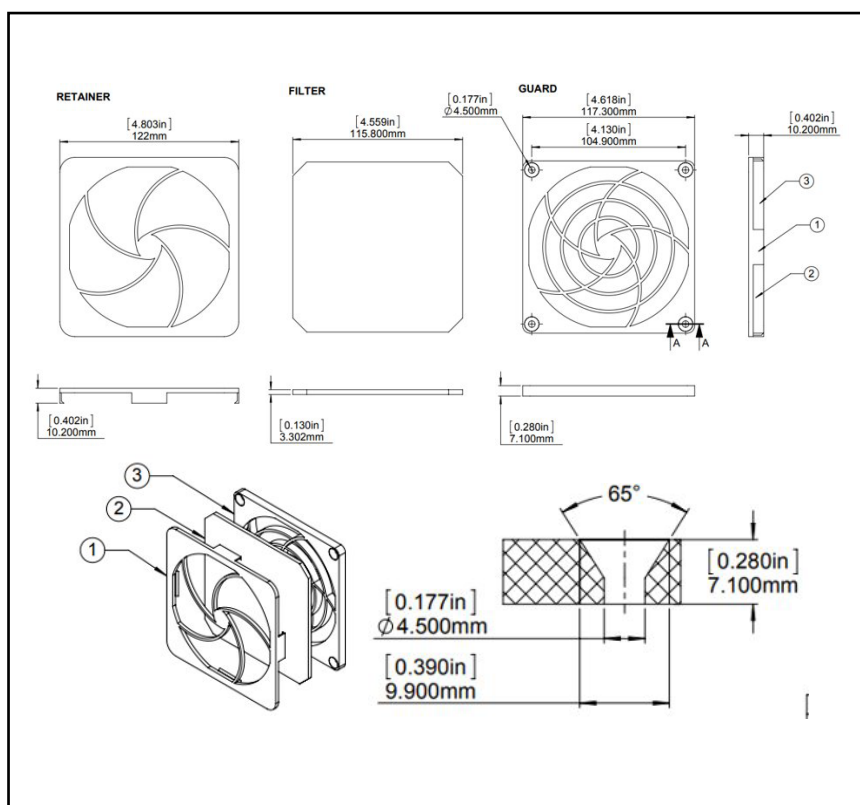


Features

- Protects users from harm
- Prevents dust contamination
- Fixing centres
104.90mm x
104.90mm for 120mm fan
- Fan Filter Kit
- Plastic UL94V-0 Retainer
- Polyurethane Foam UL94HF-1 45PPI Filter
- Plastic UL94V-0 Guard

Highland Fan Filter Kit

Part Number: HIG-PF120



Product Description

- Our 120mm Fan Filter Kit is designed to act as a finger guard and incorporates a filter.
- Filter made from Polyurethane Foam UL94HF-1 45PPI material for exceptional durability and longevity.
- Protects users from harm and equipment from damage.
- Designed to fit fans with a frame size of 120mm.
- Fixing centres 104.90mm x 104.90mm ± 0.5 mm, ensuring a perfect fit for your fan.
- Plastic UL94V-0 materials, RoHS compliant and free from hazardous materials.

General Specifications

Guard Type	120mm fan filter kit
Retainer Material	Plastic UL94V-0
Filter Material	Polyurethane Foam UL94HF-1 45PPI
Guard Material	Plastic UL94V-0
For Use With	120mm axial fans
Weight (g):	42
Tariff Code:	84149000

Mechanical Specifications

Fan Size	120mm
Fixing centres	104.90mm x 104.90mm
Length	122mm
Width	122mm
Thickness	10.20mm
Mounting Hole Diameter	4.50mm

Approvals

Compliance/Certifications	RoHS Compliant
----------------------------------	----------------