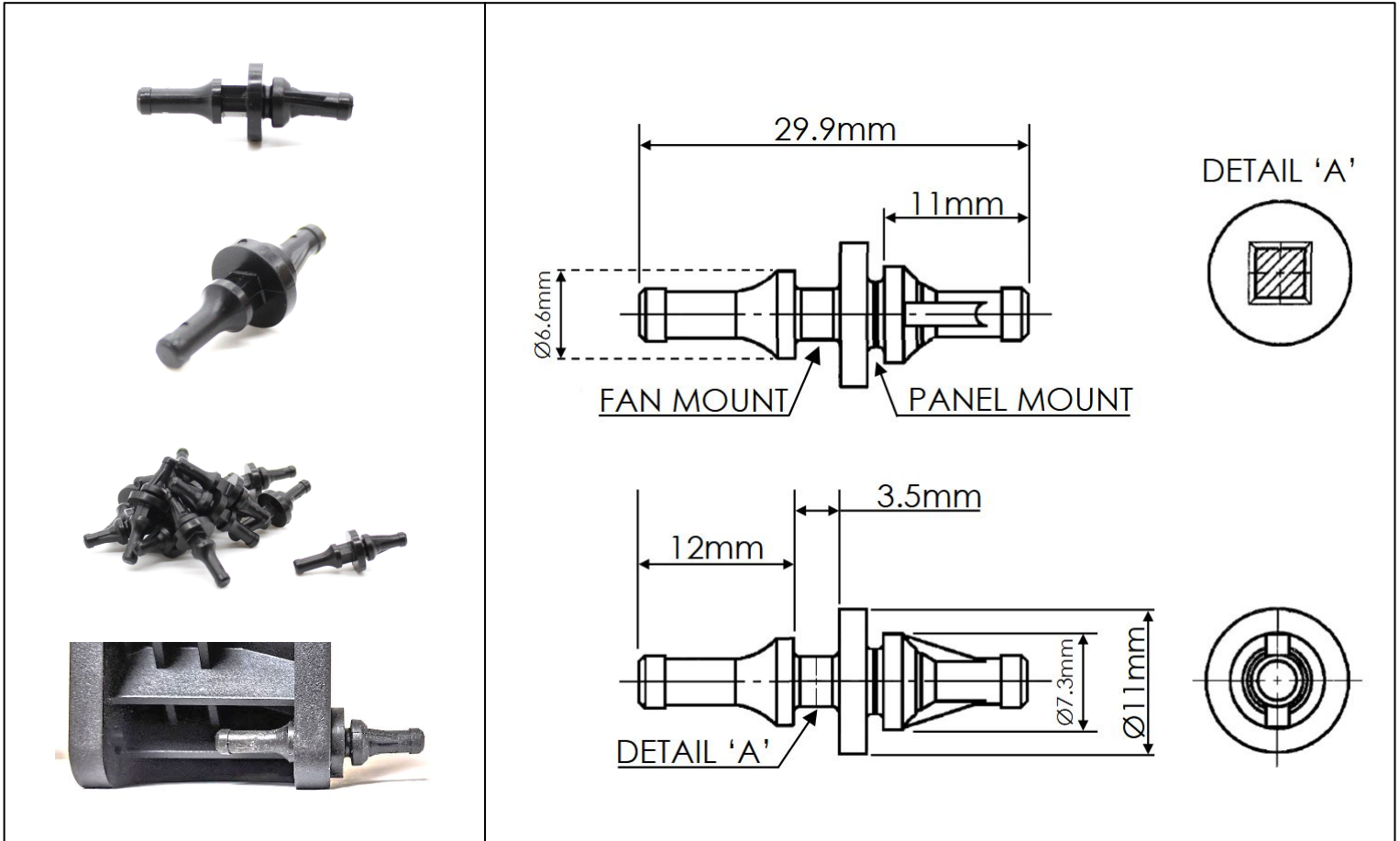




RFI-4MM

Rubber Fan Isolator for Axial Fans with 4MM Holes



Model Number	RFI-4MM-100 (100 PCS BULK PACK) RFI-4MM-250 (250 PCS BULK PACK) RFI-4MM-1000 (1000 PCS BULK PACK)
Compatibility	For use with Flange type fan frames. Not compatible with Ribbed fan frames.
Material	TPE
Material Hardness	Shore A45
Color	Black
Material Flammability Class	UL94 V-0
Fan Hole Size Range	ø4.1 - 4.5mm
Fan Flange Thickness Range	3mm - 5.5mm
Panel Mount Hole Size	ø5mm±0.1
Panel Thickness	1mm - 2mm
Temperature Range	-40°C - 75°C