

# ALCOSWITCH LED INDICATOR LIGHT AND BUZZER

---

## INTRODUCTION

TE Connectivity (TE)'s new ALCOSWITCH ILE (Indicator Light) and IBE (Buzzer) Indicators are class leading LED and audible devices. The ILE Indicators have dual LEDs with uniform and bright illumination. There is a broad voltage range for various applications. The IBE buzzers have 80 db of audible output making a clear and loud notification. Both series have an operating life of over 1 million cycles and can go into harsh environments with their IP65 rating.

## FEATURES

- Low voltage glow protection
- >1M cycles of actuation
- 80 db output for buzzers
- IP65 outside of panel, IP20 inside
- Passes surge test of 2 KV

## APPLICATIONS

- Control panel
- Safety monitoring
- Battery energy storage system (BESS)
- Manufacturing lines

## APPROVALS

- UL
- CE
- RoHS

 **UL CE RoHS**



**INDICATOR LIGHT**



**BUZZER**

## ALCOSWITCH LED Indicator Light and Buzzer

### ELECTRICAL SPECIFICATIONS

	ILE (Indicator Light)	IBE (Buzzer)
Rated voltage	12 V AC/DC, 24 V AC/DC, 48 V AC/DC, 110 VAC, 240 VAC, 415 VAC, 110 VDC, 220 VDC	240 VAC, 24 V AC/DC, 12 V AC/DC
Limit of operating voltage	-20% ~ +10% of rated voltage	-
Operating current	-	3 mA ~ 50 mA
LED's	2 SMD LEDS	-
Surge	2 KV	1 KV (L-L)
HV test for 60 sec.	2.5 KV	-
Low voltage glow protection	Provided at 20% to 30% rated voltage, No LVGP for 12 V AC/DC	-
Power consumption (24V/110V/240V)	< 0.6 W	≤ 2 W
Operating frequency	50 Hz - 60 Hz	-
Insulation resistance	> 1 M ohm	-

### ENVIRONMENTAL CHARACTERISTICS

Operating temperature	-30 °C ~ 65 °C	-10 °C ~ 65 °C
Storage temperature	-25 °C ~ 70 °C	-10 °C ~ 65 °C
Degree Of protection	Above panel : IP65 -IEC60529 : 2013	-
	For terminals : IP20 -IEC60529 : 2013	

### MECHANICAL SPECIFICATIONS

Life	10K burning Hrs. (at ambient temp 30 °C)	>10K burning Hrs.
Contact material	Base Material: Brass, Plating: TIN	
Wire termination capacity	Min 0.5 mm <sup>2</sup> , 1.5 mm <sup>2</sup> ~ 2.5 mm <sup>2</sup> .	0.5 mm <sup>2</sup> ~ 2.5 mm <sup>2</sup>
Terminal Torque	0.8 Nm	

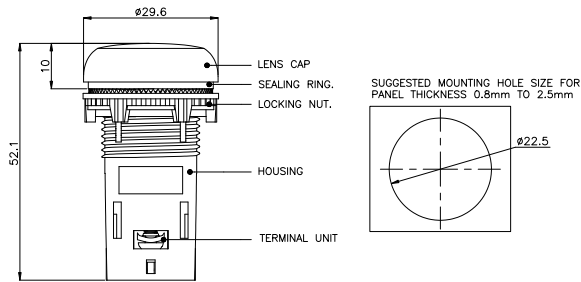
### OTHER DATA

Colours available	White / Green / Blue Orange / Red / Yellow	-
Visible from the distance	5 meter	-
SPL (sound pressure level)	-	80 db @ 1 mtr
Sound mode	-	Continuous

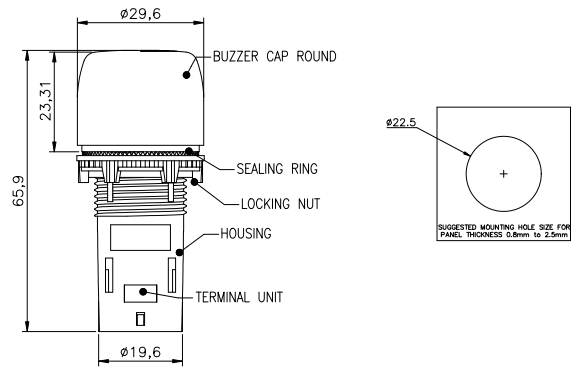
# ALCOSWITCH LED Indicator Light and Buzzer

## DIMENSIONS (Unit: mm)

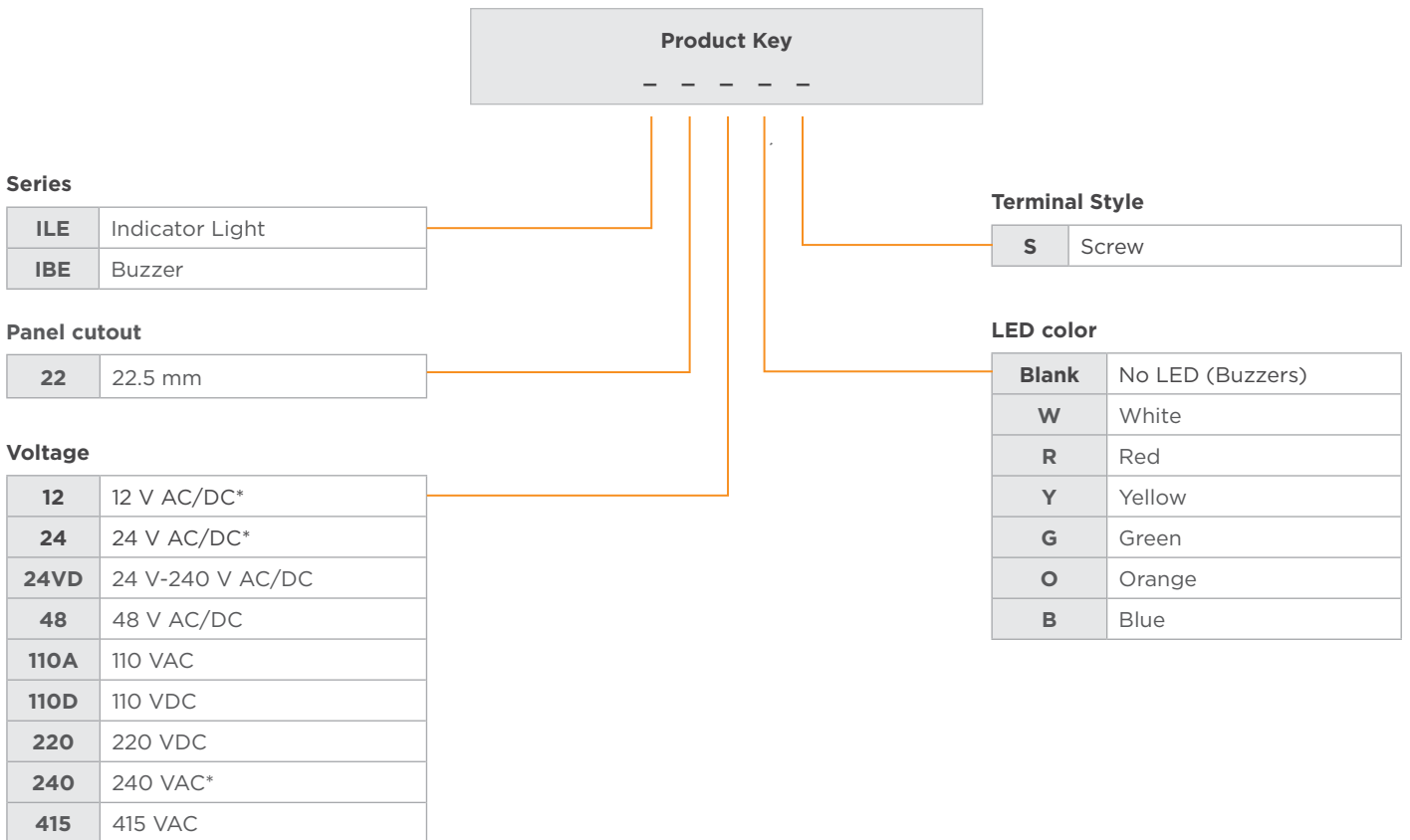
### INDICATOR LIGHT



### BUZZER



## PRODUCT CODE STRUCTURE



\*Buzzer options

## ALCOSWITCH LED Indicator Light and Buzzer

### LED INDICATOR PRODUCT INFORMATION

Product key	Description	LED color	Part number
ILE2212RS	LED indicator red 12 V AC/DC	Red	<a href="#">2489541-1</a>
ILE2212GS	LED indicator green 12 V AC/DC	Green	<a href="#">2489541-2</a>
ILE2212YS	LED indicator yellow 12 V AC/DC	Yellow	<a href="#">2489541-3</a>
ILE2212OS	LED indicator orange 12 V AC/DC	Orange	<a href="#">2489541-4</a>
ILE2212WS	LED indicator white 12 V AC/DC	White	<a href="#">2489541-5</a>
ILE2212BS	LED indicator blue 12 V AC/DC	Blue	<a href="#">2489541-6</a>
ILE2224RS	LED indicator red 24 V AC/DC	Red	<a href="#">2489541-7</a>
ILE2224GS	LED indicator green 24 V AC/DC	Green	<a href="#">2489541-8</a>
ILE2224YS	LED indicator yellow 24 V AC/DC	Yellow	<a href="#">2489541-9</a>
ILE2224OS	LED indicator orange 24 V AC/DC	Orange	<a href="#">1-2489541-0</a>
ILE2224WS	LED indicator white 24 V AC/DC	White	<a href="#">1-2489541-1</a>
ILE2224BS	LED indicator blue 24 V AC/DC	Blue	<a href="#">1-2489541-2</a>
ILE2248RS	LED indicator red 48 V AC/DC	Red	<a href="#">1-2489541-3</a>
ILE2248GS	LED indicator green 48 V AC/DC	Green	<a href="#">1-2489541-4</a>
ILE2248YS	LED indicator yellow 48 V AC/DC	Yellow	<a href="#">1-2489541-5</a>
ILE2248OS	LED indicator orange 48 V AC/DC	Orange	<a href="#">1-2489541-6</a>
ILE2248WS	LED indicator white 48 V AC/DC	White	<a href="#">1-2489541-7</a>
ILE2248BS	LED indicator blue 48 V AC/DC	Blue	<a href="#">1-2489541-8</a>
ILE2224VDRS	LED indicator red 24 V-240 V AC/DC	Red	<a href="#">1-2489541-9</a>
ILE2224VDGS	LED indicator green 24 V-240 V AC/DC	Green	<a href="#">2-2489541-0</a>
ILE2224VDYS	LED indicator yellow 24 V-240 V AC/DC	Yellow	<a href="#">2-2489541-1</a>
ILE2224VDBS	LED indicator blue 24 V-240 V AC/DC	Blue	<a href="#">2-2489541-2</a>
ILE2224VDWS	LED indicator white 24 V-240 V AC/DC	White	<a href="#">2-2489541-3</a>
ILE2224VDOS	LED indicator orange 24 V-240 V AC/DC	Orange	<a href="#">2-2489541-4</a>
ILE22110ARS	LED indicator 110 RED 110 V AC	Red	<a href="#">2-2489541-5</a>
ILE22110AGS	LED indicator 110 GREEN 110 VAC	Green	<a href="#">2-2489541-6</a>
ILE22110AYS	LED indicator 110 YELLOW 110 VAC	Yellow	<a href="#">2-2489541-7</a>
ILE22110AOS	LED indicator 110 ORANGE 110 VAC	Orange	<a href="#">2-2489541-8</a>
ILE22110AWS	LED indicator 110 WHITE 110 VAC	White	<a href="#">2-2489541-9</a>
ILE22110ABS	LED indicator 110 BLUE 110 VAC	Blue	<a href="#">3-2489541-0</a>
ILE22240RS	LED indicator 240 RED 240 VAC	Red	<a href="#">3-2489541-1</a>
ILE22240GS	LED indicator 240 GREEN 240 VAC	Green	<a href="#">3-2489541-2</a>
ILE22240YS	LED indicator 240 YELLOW 240 VAC	Yellow	<a href="#">3-2489541-3</a>
ILE22240OS	LED indicator 240 ORANGE 240 VAC	Orange	<a href="#">3-2489541-4</a>
ILE22240WS	LED indicator 240 WHITE 240 VAC	White	<a href="#">3-2489541-5</a>
ILE22240BS	LED indicator 240 BLUE 240 VAC	Blue	<a href="#">3-2489541-6</a>
ILE22415RS	LED indicator 415 RED 415 VAC	Red	<a href="#">3-2489541-7</a>

TE Smart Part Number	Description	LED color	Part number
ILE22415GS	LED indicator 415 GREEN 415 VAC	Green	<a href="#">3-2489541-8</a>
ILE22415YS	LED indicator 415 YELLOW 415 VAC	Yellow	<a href="#">3-2489541-9</a>
ILE22415OS	LED indicator 415 ORANGE 415 VAC	Orange	<a href="#">4-2489541-0</a>
ILE22415WS	LED indicator 415 WHITE 415 VAC	White	<a href="#">4-2489541-1</a>
ILE22415BS	LED indicator 415 BLUE 415 VAC	Blue	<a href="#">4-2489541-2</a>
ILE22110DRS	LED indicator 110 RED 110 VDC	Red	<a href="#">4-2489541-3</a>
ILE22110DGS	LED indicator 110 GREEN 110 VDC	Green	<a href="#">4-2489541-4</a>
ILE22110DYS	LED indicator 110 YELLOW 110 VDC	Yellow	<a href="#">4-2489541-5</a>
ILE22110DOS	LED indicator 110 ORANGE 110 VDC	Orange	<a href="#">4-2489541-6</a>
ILE22110DWS	LED indicator 110 WHITE 110 VDC	White	<a href="#">4-2489541-7</a>
ILE22110DBS	LED indicator 110 BLUE 110 VDC	Blue	<a href="#">4-2489541-8</a>
ILE22220RS	LED indicator 220 RED 220 VDC	Red	<a href="#">4-2489541-9</a>
ILE22220GS	LED indicator 220 GREEN 220 VDC	Green	<a href="#">5-2489541-0</a>
ILE22220YS	LED indicator 220 YELLOW 220 VDC	Yellow	<a href="#">5-2489541-1</a>
ILE22220OS	LED indicator 220 ORANGE 220 VDC	Orange	<a href="#">5-2489541-2</a>
ILE22220WS	LED indicator 220 WHITE 220 VDC	White	<a href="#">5-2489541-3</a>
ILE22220BS	LED indicator 220 BLUE 220 VDC	Blue	<a href="#">5-2489541-4</a>

## BUZZER PRODUCT INFORMATION

TE Smart Part Number	Description	LED color	Part number
IBE2212S	Buzzer 12 V AC/DC	No LED	<a href="#">2489542-1</a>
IBE2224S	Buzzer 24 V AC/DC	No LED	<a href="#">2489542-2</a>
IBE22240S	Buzzer 240 VAC	No LED	<a href="#">2489542-3</a>

[te.com](https://www.te.com)

©2024 TE Connectivity Ltd. All Rights Reserved.

ALCOWITCH, TE Connectivity, TE connectivity (logo) and Every Connection Counts are trademarks owned or licensed by the TE Connectivity family of companies. All other logos, products and/or company names referred to herein might be trademarks of their respective owners.

While TE has made every reasonable effort to ensure the accuracy of the information in this document, TE does not guarantee that it is error-free, nor does TE make any other representation, warranty or guarantee that the information is accurate, correct, reliable or current. TE reserves the right to make any changes to the information contained herein without prior notice. TE Connectivity assumes only those obligations set forth in the terms and conditions for this product and shall in no event be liable for any incidental, indirect, or consequential damages arising out of the sale, resale, use, or misapplication of the product. TE expressly disclaims any implied warranties with respect to the information contained herein, including, but not limited to, implied warranties of merchantability or fitness for a particular purpose. Dimensions, specifications and/or information contained herein are for reference purposes only and are subject to change without notice. Consult TE for the latest dimensions, specifications and/or information. Users of TE Connectivity products must make their own assessment as to whether the respective product is suitable for the respective desired application.

07/24 ED