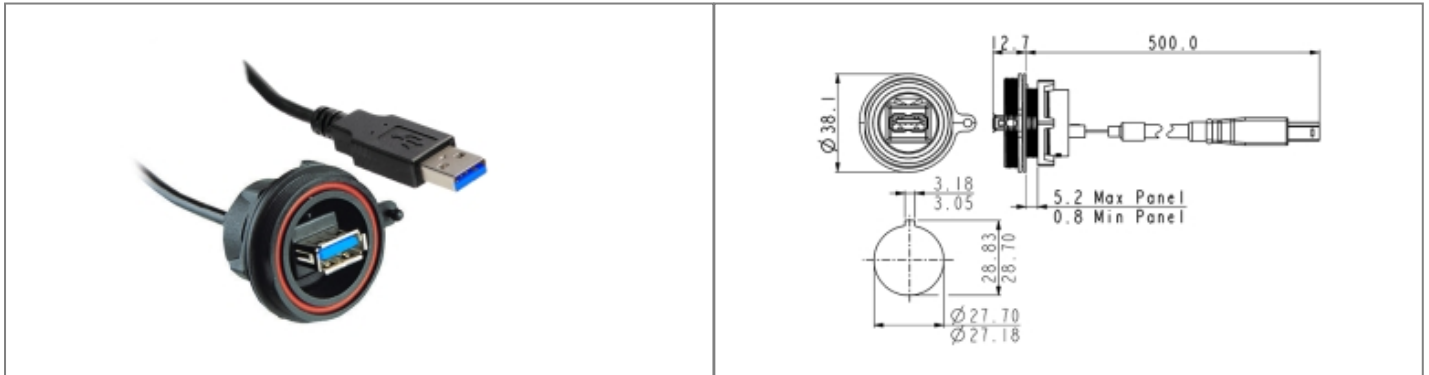


PX0844/A3/0M50/A3 Datasheet

**Product Name // Front Panel Mount USB 3.0 Extension
Cable PX0844 Series Sealed A Socket Front of Panel to
Standard A Plug 0.5M Cable**

[View Product Page](#)



// Product Description:

- ⊞ Front Panel Mount USB Extension
- ⊞ Water and dustproof to IP68 when mated with compatible connector
- ⊞ Sealed Standard USB 3.0 Type A socket to 500mm long cable terminated in Standard USB 3.0 Type A plug
- ⊞ PX0733 Sealing Cap available separately to maintain IP rating of unmated connectors
- ⊞ Mate with PX0840, PX0841 USB Cables

// General Information:

| | |
|---------------------------------|--------------------------------------------|
| Product Family: | Circular Data Connectors |
| Product Series: | Standard Buccaneer - USB |
| Body Colour: | Black |
| Body Material: | Polyester (PE) - Glass Filled |
| Body Material Type: | Plastic Body |
| Cable Length: | 0.5m |
| Contact Type: | Socket Contact |
| Coupling Type: | Screw |
| Current Max: | 1A |
| Data Cable Type: | USB 3.0 Sealed A Socket to Standard A Plug |
| Diameter Over Coupling Ring Mm: | 38.1mm |
| Flamability Rating: | UL94V-0 |
| Function: | Front Panel Mount Connector |
| Ip Rating: | IP68, IP69K |
| Max Operating Temperature: | +70°C |
| Min Operating Temperature: | 0°C |
| Number Of Contacts: | 9 Contacts |
| Rohs Compliant: | Yes |
| Voltage Max: | 5V |

// Product PDF Links

[Standard Series USB connectors...](#)

// Product 3D CAD Model Links

[PX0844/A3/0M50/A33D CAD Model](#)



Have a question or project enquiry
you'd like to talk to us about?



[Click Here To Contact Us](#)