

2302450-1 ✓ ACTIVE



MATenet

TE Internal #: 2302450-1

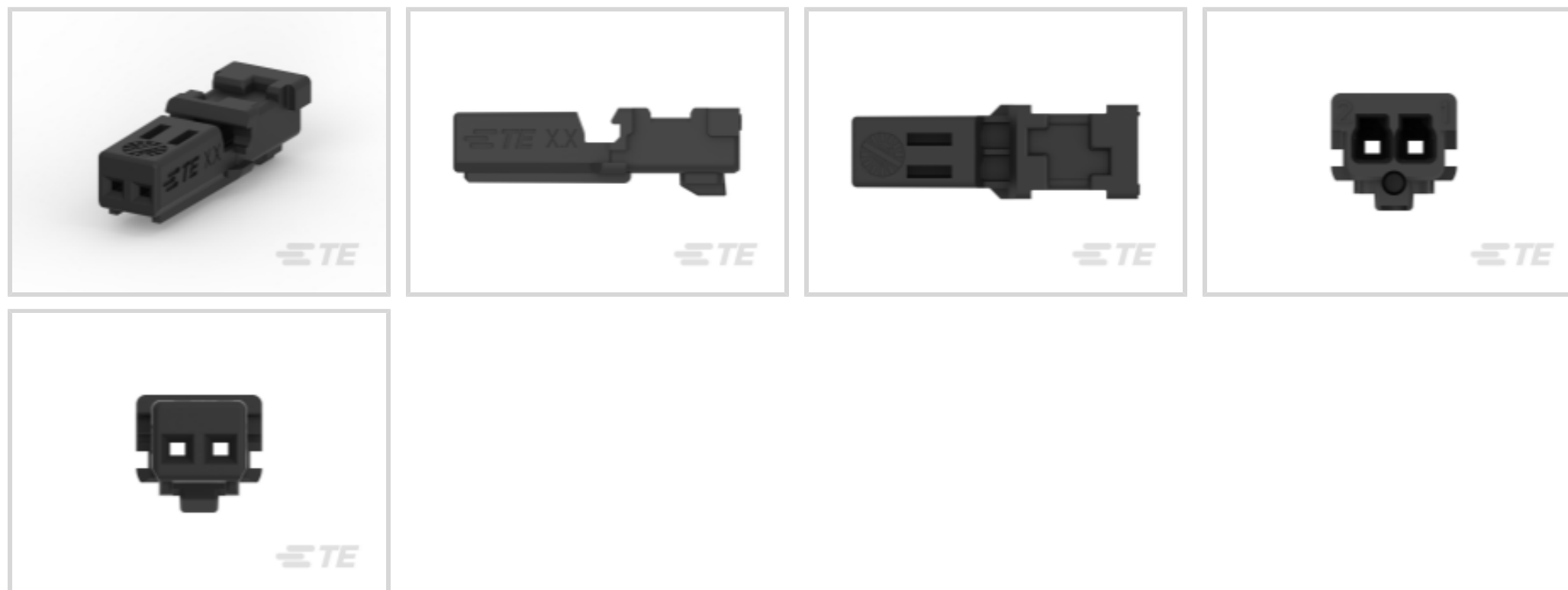
Housing for Female Terminals, Wire-to-Wire, 2 Position, 1.8 mm [.

07 in] Centerline, Black, Signal, Cable Mount (Free-Hanging),

MATenet

[View on TE.com >](#)

Connectors > Automotive Connectors > Automotive Housings



Connector System: **Wire-to-Wire**

Number of Positions: **2**

Connector & Housing Type: **Housing for Female Terminals**

Centerline (Pitch): **1.8 mm [.07 in]**

Sealable: **No**

Features

Product Type Features

Mixed & Hybrid Connector	No
Connector Shape	Rectangular
Connector System	Wire-to-Wire
Connector & Housing Type	Housing for Female Terminals
Sealable	No
Primary Locking Feature	Integrated in Housing

Configuration Features

Number of Positions	2
Number of Rows	1

Body Features

Cable Exit Angle	180°
Primary Product Color	Black

Contact Features

Contact Size	.5mm
--------------	------



Contact Type	Receptacle
Mating Tab Width	.5 mm[.019 in]

Mechanical Attachment

Terminal Position Assurance	No
Strain Relief	Without
Mating Alignment Type	Polarized
Mating Alignment	With
Connector Mounting Type	Cable Mount (Free-Hanging)

Housing Features

Housing Material	PA GF
Centerline (Pitch)	1.8 mm[.07 in]

Dimensions

Connector Height	4.9 mm[.192 in]
Product Width	15.95 mm[.627 in]
Product Length	5.25 mm[.206 in]

Operation/Application

Circuit Application	Signal
---------------------	--------

Other

Serviceable	No
Connector Position Assurance Capable	No

Product Compliance

For compliance documentation, visit the product page on TE.com>

EU RoHS Directive 2011/65/EU	Compliant
EU ELV Directive 2000/53/EC	Compliant
China RoHS 2 Directive MIIT Order No 32, 2016	No Restricted Materials Above Threshold
EU REACH Regulation (EC) No. 1907/2006	Current ECHA Candidate List: JUNE 2024 (241) Candidate List Declared Against: JUNE 2024 (241) Does not contain REACH SVHC
Halogen Content	Low Halogen - Br, Cl, F, I < 900 ppm per homogenous material. Also BFR/CFR/PVC Free

Solder Process Capability

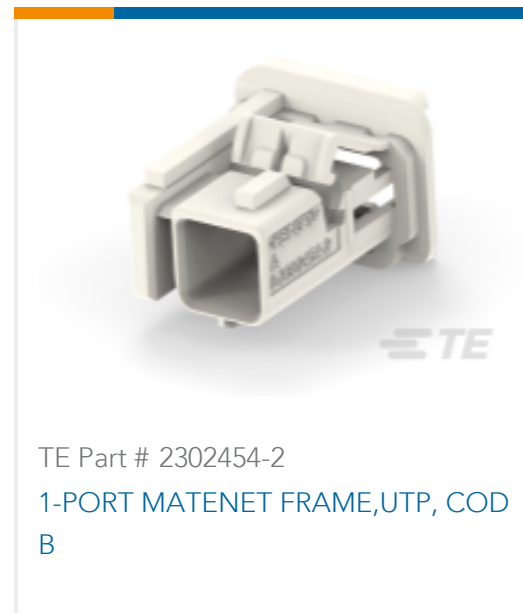
Not reviewed for solder process capability

Product Compliance Disclaimer

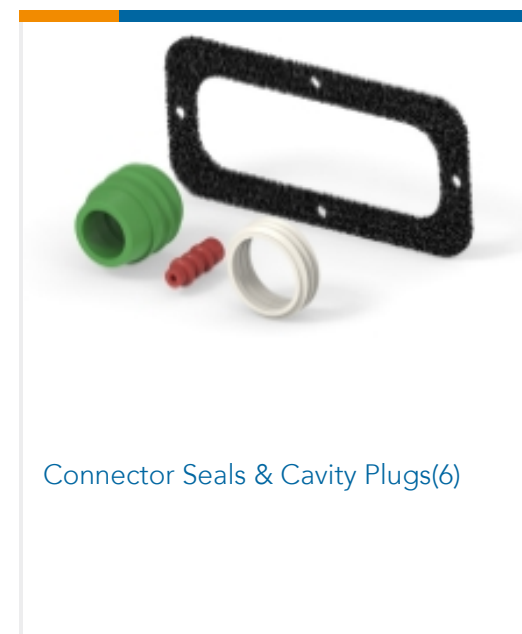
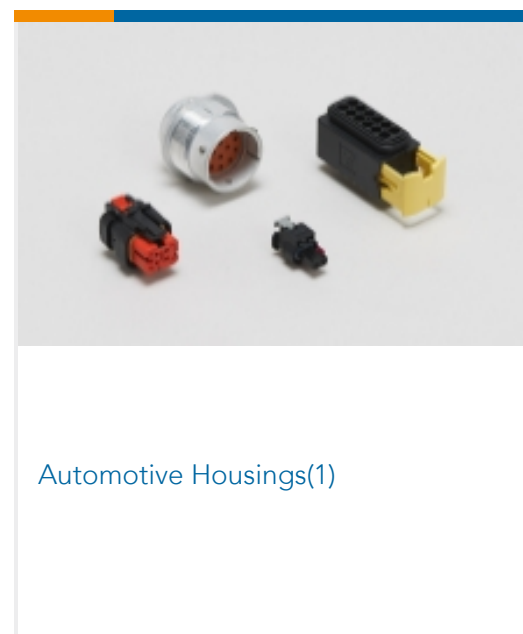
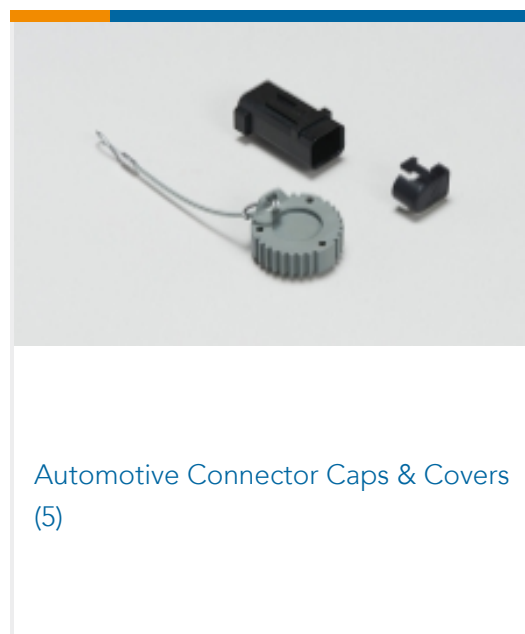
This information is provided based on reasonable inquiry of our suppliers and represents our current actual knowledge based on the information they provided. This information is subject to change. The part numbers that TE has identified as EU RoHS compliant have a maximum concentration of 0.1% by weight in homogenous materials for lead, hexavalent chromium, mercury, PBB, PBDE, DBP, BBP, DEHP, DIBP, and 0.01% for cadmium, or qualify for an exemption to these limits as defined in the Annexes of Directive 2011/65/EU (RoHS2). Finished electrical and electronic equipment products will be CE marked as required by Directive 2011/65/EU. Components may not be CE marked. Additionally, the part numbers that TE has identified as EU ELV compliant have a maximum concentration of 0.1% by weight in homogenous materials for lead, hexavalent chromium, and mercury, and 0.01% for cadmium, or qualify for an exemption to these limits as defined in the Annexes of Directive 2000/53/EC (ELV). Regarding the REACH Regulation, the information TE provides on SVHC in articles for this part number is based on the latest European Chemicals Agency (ECHA) 'Guidance on requirements for substances in articles' posted at this URL: <https://echa.europa.eu/guidance-documents/guidance-on-reach>

Compatible Parts

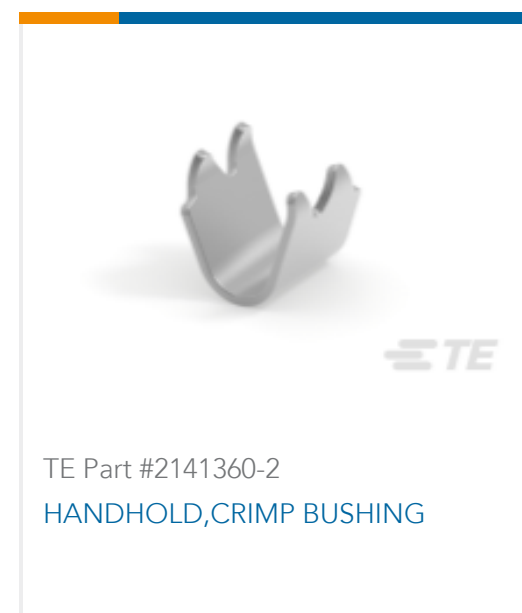




Also in the Series | MATENet



Customers Also Bought





Documents

Product Drawings

MATENET, FEMALE INSERT MODUL, BLACK

English

MATENET, FEMALE INSERT MODUL, BLACK

English

MATENET, FEMALE INSERT MODUL, BLACK

English

MATENET, FEMALE INSERT MODUL, BLACK

English

MATENET, FEMALE INSERT MODUL, BLACK

English

MATENET, FEMALE INSERT MODUL, BLACK

English

MATENET, FEMALE INSERT MODUL, BLACK

English

MATENET, FEMALE INSERT MODUL, BLACK

English

MATENET, FEMALE INSERT MODUL, BLACK

English

MATENET, FEMALE INSERT MODUL, BLACK

English

MATENET, FEMALE INSERT MODUL, BLACK

English

MATENET, FEMALE INSERT MODUL, BLACK



English

[MATENET, FEMALE INSERT MODUL, BLACK](#)

English

[MATENET, FEMALE INSERT MODUL, BLACK](#)

English

[MATENET, FEMALE INSERT MODUL, BLACK](#)

English

[MATENET, FEMALE INSERT MODUL, BLACK](#)

English

[MATENET, FEMALE INSERT MODUL, BLACK](#)

English

[MATENET, FEMALE INSERT MODUL, BLACK](#)

English

[MATENET, FEMALE INSERT MODUL, BLACK](#)

English

[MATENET, FEMALE INSERT MODUL, BLACK](#)

English

[MATENET, FEMALE INSERT MODUL, BLACK](#)

English

[MATENET, FEMALE INSERT MODUL, BLACK](#)

English

[MATENET, FEMALE INSERT MODUL, BLACK](#)

English

[MATENET, FEMALE INSERT MODUL, BLACK](#)

English

CAD Files

3D PDF

3D

Customer View Model

[ENG_CVM_CVM_2302450-1_B.2d_dxf.zip](#)

English

Customer View Model

[ENG_CVM_CVM_2302450-1_B.3d_igs.zip](#)

English

Customer View Model

[ENG_CVM_CVM_2302450-1_B.3d_stp.zip](#)

English

By downloading the CAD file I accept and agree to the [Terms and Conditions](#) of use.

Product Specifications

Application Specification

English

2302450-1

Housing for Female Terminals, Wire-to-Wire, 2 Position, 1.8 mm [.07 in] Centerline,
Black, Signal, Cable Mount (Free-Hanging), MATenet

