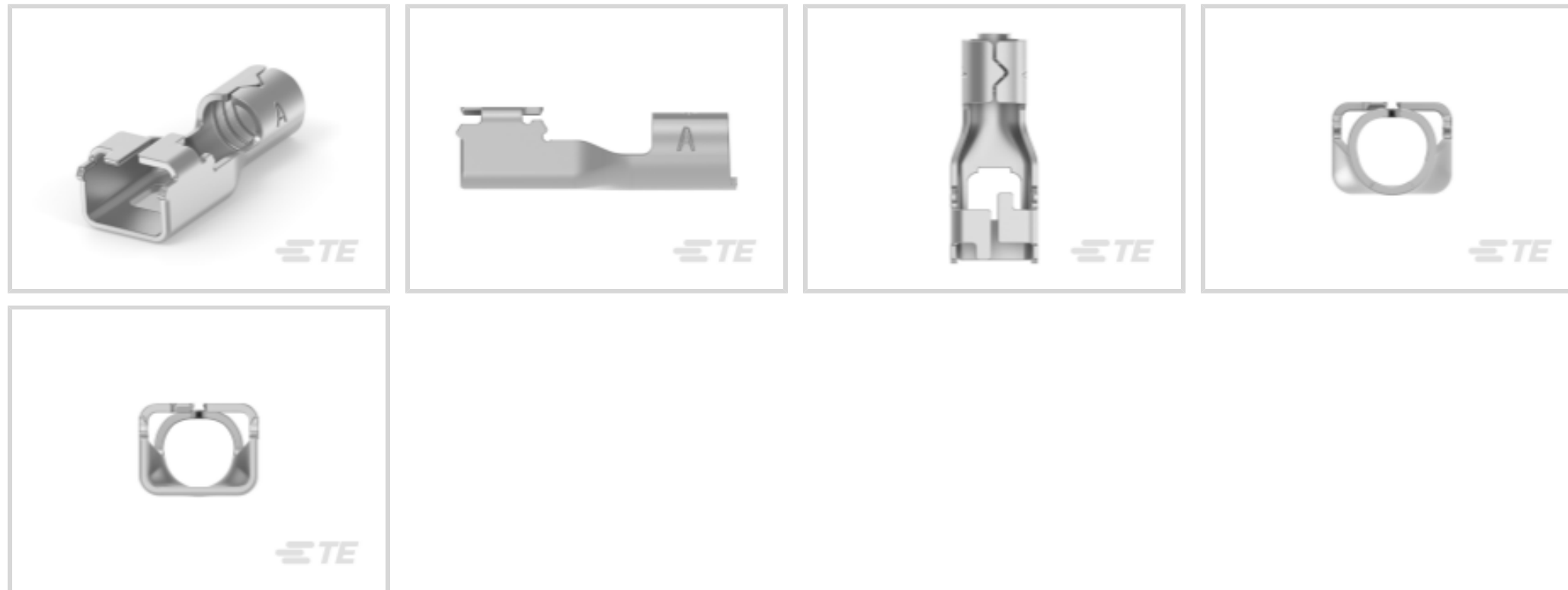




Connectors > Automotive Connectors > Automotive Connector Accessories > Other Automotive Connector Accessories



Automotive Connector Accessory Type: **Fixation**

Primary Product Material: **Copper Alloy**

Operating Temperature Range: **-40 – 105 °C [-40 – 221 °F]**

## Features

### Product Type Features

Automotive Connector Accessory Type	Fixation
-------------------------------------	----------

### Body Features

Primary Product Material	Copper Alloy
--------------------------	--------------

### Usage Conditions

Operating Temperature Range	-40 – 105 °C[-40 – 221 °F]
-----------------------------	----------------------------

### Packaging Features

Packaging Quantity	4500
Packaging Method	Box

## Product Compliance

[For compliance documentation, visit the product page on TE.com>](#)

EU RoHS Directive 2011/65/EU	Compliant
EU ELV Directive 2000/53/EC	Compliant
China RoHS 2 Directive MIIT Order No 32, 2016	No Restricted Materials Above Threshold
EU REACH Regulation (EC) No. 1907/2006	Current ECHA Candidate List: JUNE 2024 (241)



Candidate List Declared Against: JUNE 2024 (241)

Does not contain REACH SVHC

Halogen Content	Low Halogen - Br, Cl, F, I < 900 ppm per homogenous material. Also BFR/CFR/PVC Free
Solder Process Capability	Not reviewed for solder process capability

Product Compliance Disclaimer

This information is provided based on reasonable inquiry of our suppliers and represents our current actual knowledge based on the information they provided. This information is subject to change. The part numbers that TE has identified as EU RoHS compliant have a maximum concentration of 0.1% by weight in homogenous materials for lead, hexavalent chromium, mercury, PBB, PBDE, DBP, BBP, DEHP, DIBP, and 0.01% for cadmium, or qualify for an exemption to these limits as defined in the Annexes of Directive 2011/65/EU (RoHS2). Finished electrical and electronic equipment products will be CE marked as required by Directive 2011/65/EU. Components may not be CE marked. Additionally, the part numbers that TE has identified as EU ELV compliant have a maximum concentration of 0.1% by weight in homogenous materials for lead, hexavalent chromium, and mercury, and 0.01% for cadmium, or qualify for an exemption to these limits as defined in the Annexes of Directive 2000/53/EC (ELV). Regarding the REACH Regulation, the information TE provides on SVHC in articles for this part number is based on the latest European Chemicals Agency (ECHA) 'Guidance on requirements for substances in articles' posted at this URL: <https://echa.europa.eu/guidance-documents/guidance-on-reach>

## Compatible Parts

TE Part # CAT-M8793-T273  
MQS, RECEPTACLE AND TAB

TE Part # 2236905-1  
NANO TAB 0.5X0.4, TERMINAL

TE Part # 2236905-3  
NANO TAB 0.5X0.4, TERMINAL



TE Part # 2302450-1  
MATENET, FEMALE INSERT MODUL, BLACK

TE Part # 2302451-1  
MATENET, MALE INSERT MODUL

TE Part # 2328991-9  
MATENET 1PORT PLUG HSG

TE Part # 2382219-2  
OCEAN-2.0-APPLICATOR-S-201SP144O-SSA

TE Part # 2382220-2  
OCEAN-2.0-APPLICATOR-S-201SP140O-SSA

 <p><b>KIT</b></p> <p>REPRESENTATION ONLY</p> <p>TE Part # 7-2382219-7 OCEAN_2.0_SPARE_PART_KIT-201SP144O</p>	 <p><b>KIT</b></p> <p>REPRESENTATION ONLY</p> <p>TE Part # 7-2382220-7 OCEAN_2.0_SPARE_PART_KIT-</p>	<p>TE Part # 3-2382219-2 OCEAN-2.0-APPLICATOR-S-201SP144O-RSD</p>	<p>TE Part # 2371101-1 MATENET INLINE COUPLER ASSY, COD A</p>
<p>TE Part # 2371101-2 MATENET,INLINE COUPLER ASSY, COD B</p>	<p>TE Part # 2371101-3 MATENET,INLINE COUPLER ASSY, COD C</p>	<p>TE Part # 2371101-7 MATENET,INLINE COUPLER ASSY, COD J</p>	<p>TE Part # 2371101-9 MATENET,INLINE COUPLER ASSY, COD Z</p>
<p>TE Part # 2367280-2 1POS,NANOMQS,TAB HSG ASSY, UNSLD,COD B</p>	<p>TE Part # 2367280-7 1POS,NANOMQS,TAB HSG ASSY, UNSLD,COD J</p>	<p>TE Part # 2367280-9 1POS,NANOMQS,TAB HSG ASSY, UNSLD,COD Z</p>	<p>TE Part # 2367280-1 1POS,NANOMQS,TAB HSG ASSY, UNSLD,COD A</p>

### Customers Also Bought

 <p>TE Part #2302510-9 1-PORT MATENET FRAME,STP, COD Z</p>	 <p>TE Part #967688-2 4pos MQS .63 header 90deg SMD</p>	 <p>TE Part #2141360-2 HANDHOLD,CRIMP BUSHING</p>	 <p>TE Part #1-2236905-1 NANO TAB 0.5X0.4,TERMINAL</p>
 <p>TE Part #1802105-1 1PORT,MATENET,REC HSG,SLD,COD A,UTP,ASSY</p>	 <p>TE Part #1802105-9 1PORT,MATENET,REC HSG,SLD,COD Z,UTP,ASSY</p>	 <p>TE Part #2302450-1 MATENET, FEMALE INSERT MODUL, BLACK</p>	 <p>TE Part #2302451-1 MATENET, MALE INSERT MODUL</p>



## Documents

### Product Drawings

MATENET, FIXATION ELEMENT

English

### CAD Files

3D PDF

3D

Customer View Model

ENG\_CVM\_CVM\_2302452-1\_A.2d\_dxf.zip

English

Customer View Model

ENG\_CVM\_CVM\_2302452-1\_A.3d\_igs.zip

English

Customer View Model

ENG\_CVM\_CVM\_2302452-1\_A.3d\_stp.zip

English

By downloading the CAD file I accept and agree to the [Terms and Conditions](#) of use.

### Product Specifications

Application Specification

English