



# UM90010

NX-HB-GAN041UL 3.5 kW Half-Bridge evaluation board using  
GAN041-650WSB

Rev. 1.2 — 23 October 2023

user manual

## Document information

Information	Content
Keywords	GaN FET, half-bridge, converter, evaluation board
Abstract	The NX-HB-GAN041UL evaluation board is a half-bridge converter circuit using Nexperia power GaN FETs GAN041-650WSB.

## 1. EVALUATION BOARD TERMS OF USE

The use of the Evaluation Board is subject to the Evaluation Board Terms of Use, which you can find [here](#). By using this Evaluation Board, you accept these terms.

## 2. High Voltage Safety Precautions

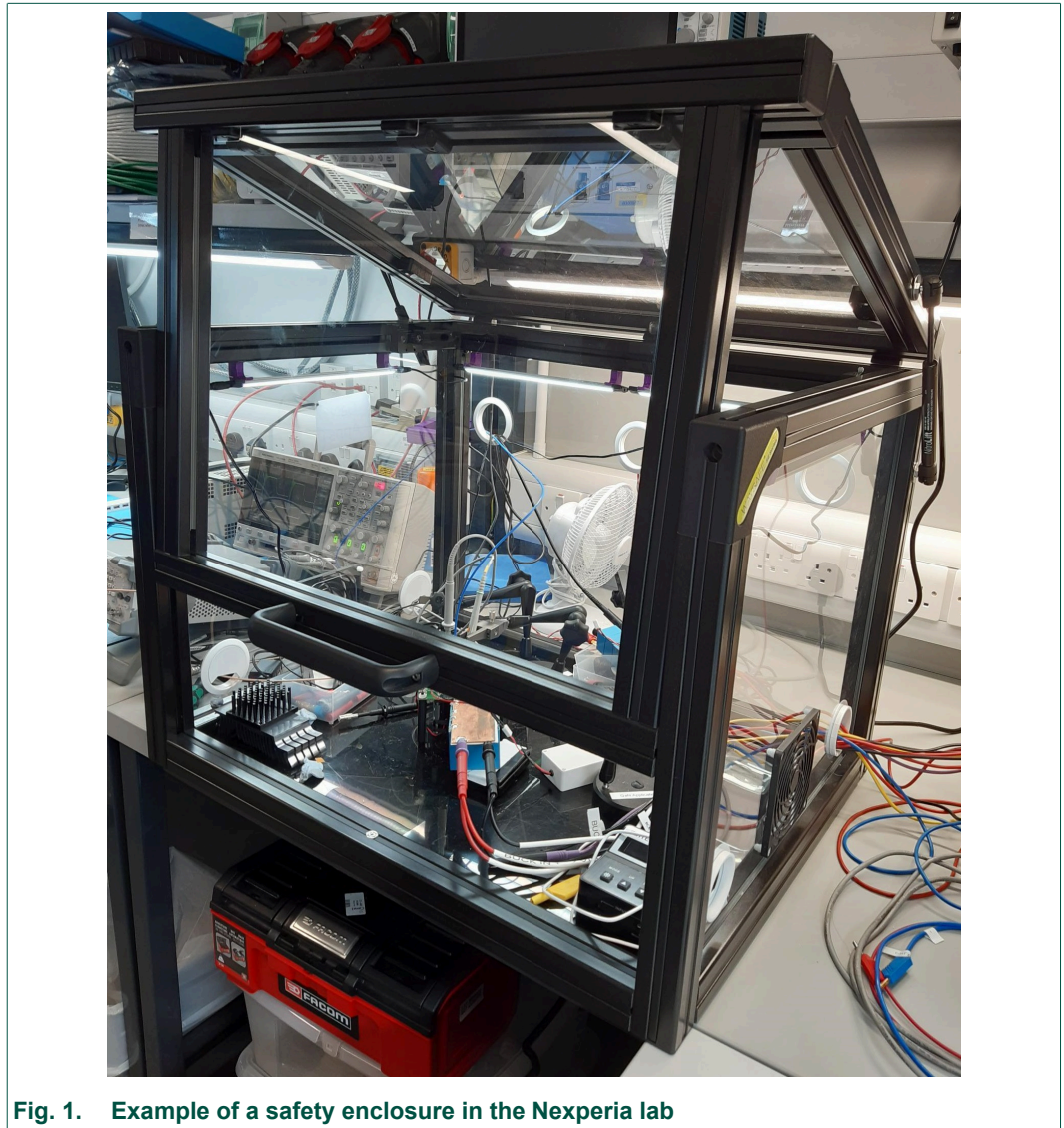
### Read all safety precautions before use!

*Please note that this document covers only the NX-HB-GAN041UL 3.5 kW half-bridge evaluation board and its functions. For additional information, please refer to the Product Specification*

To ensure safe operation, please carefully read all precautions before handling the evaluation board. Depending on the configuration of the board and voltages used, potentially lethal voltages may be generated. Therefore, please make sure to read and observe all safety precautions described below.

### **Before Use:**

It is recommended that ALL operation and testing of the evaluation board is performed with the board enclosed within a non-conductive enclosure that prevents the High Voltage supply to be switched whilst open and accessible; see [Fig. 1](#).



**Fig. 1. Example of a safety enclosure in the Nexperia lab**

**NX-HB-GAN041UL 3.5 kW Half-Bridge evaluation board using GAN041-650WSB**

All probes should be position before turning on the High Voltage and should be held in place using a suitable probe positioner e.g. PMK MSA100; see [Fig. 2](#).

**Always use an oscilloscope with protective earth connected.**

When probing High Voltage, ensure that the probes have the correct voltage rating / limit.

Ensure that all scope probes are compensated and de-skewed before use, refer to your oscilloscope or probe manual for instructions on how to do this.

If possible, have a visual indicator of High Voltage located close to the evaluation board (LED bar graph or voltmeter) To show when the Bus Voltage ( $V_{bus}$ ) and Outputs are at dangerous levels.

Verify that none of the parts or components are damaged or missing.

Check that there are no conductive foreign objects on the board.

If any soldering or modifications are made or carried out, then please ensure that this is done carefully so that solder splashes and debris are not created. Clean the board with Iso-propyl-alcohol and allow it to dry.

Ensure that there is no condensation or moisture droplets on the circuit board, all testing should be carried out within a dry environment without excessive humidity.

If used under conditions beyond the rated voltage and current specification, this may cause defects, failure and or permanent damage.

**NEVER handle the evaluation board during operation under ANY circumstances**

After use the Nexperia Evaluation Board contains components which may store high voltage and will take time to discharge. Carefully probe the evaluation board once the power has been removed to check that all capacitors have been discharged. You must do this without touching the board except for the multimeter probes that are being used to check.

This evaluation board is intended for use only in High Voltage Lab environments and should be handled only by qualified personnel familiar with all safety and operating procedures. We recommend carrying out operation and testing in a safe environment that includes restricted access only to trained personnel, the use of High Voltage signage at all entrances, safety interlocks and emergency stops and HV insulated flooring.

It should be noted that this evaluation board is intended to be used ONLY for evaluation purposes and should not be used by consumers or designed into consumer equipment in its current form.

### 3. Introduction

The NX-HB-GAN041UL GAN041-650WSB half-bridge evaluation board provides the elements of a simple buck or boost converter. This enables the basic study of the switching characteristics and efficiency achievable with Nexperia's 650 V GaN FETs. The circuit can be configured for synchronous rectification, in either buck or boost mode. Selection jumpers allow the use of a single logic input or separate high / low level inputs. The high-voltage input and output can operate at up to 400 V DC, with a power output of up to 3.5 kW. The inductor provided is intended for efficient operation at 100 kHz, however, other inductors and frequencies may be used.

The NX-HB-GAN041UL-KIT is for evaluation purposes only.

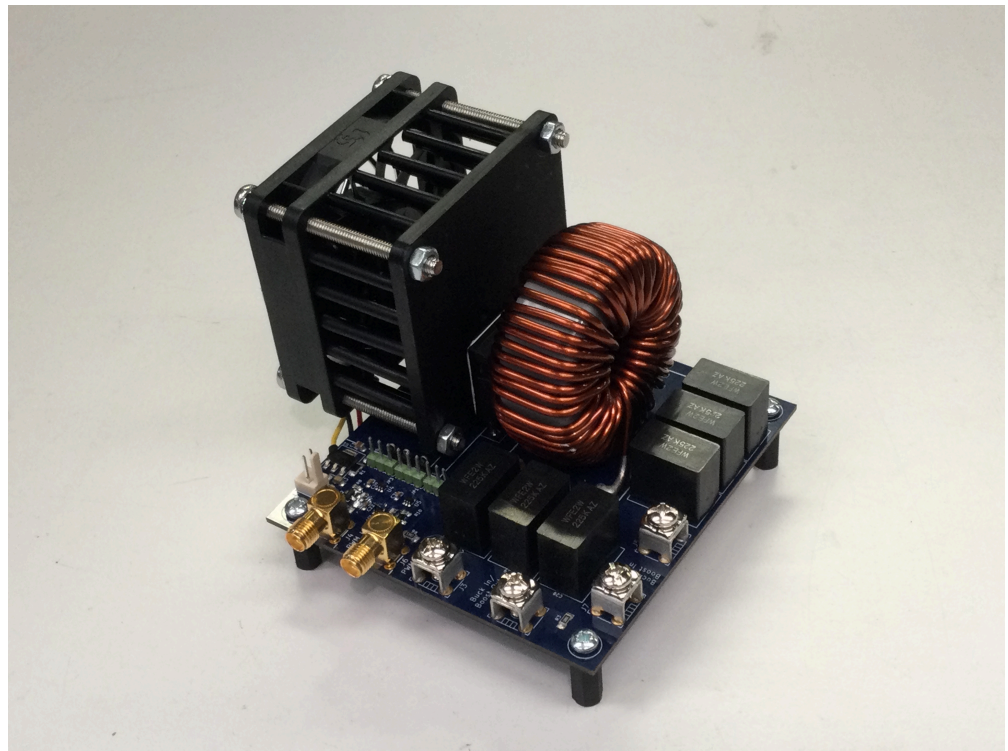


Fig. 3. NX-HB-GAN041UL GAN041-650WSB half-bridge evaluation board

#### 3.1. Quick reference information

Table 1. NX-HB-GAN041UL Input/Output specifications

Parameter	
High-voltage input/output	400 VDC max
Auxiliary supply (J1)	10 V min, 18 V max
Logic inputs	nominal 0-5 V
• for the pulse-generation circuit	$V_{lo} < 1.5 \text{ V}$ , $V_{hi} > 3.0 \text{ V}$
• for direct connection to gate driver	$V_{lo} < 0.8 \text{ V}$ , $V_{hi} > 2.0 \text{ V}$
SMA coaxial connectors	
Switching frequency	configuration dependent
• lower limit	determined by peak inductor current
• upper limit	determined by desired dead time and power dissipation



## NX-HB-GAN041UL 3.5 kW Half-Bridge evaluation board using GAN041-650WSB

Power dissipation in the GaN FETs is limited by maximum junction temperature. Refer to the [GAN041-650WSB](#) data sheet.

### 4. Warnings

This demo board is intended to demonstrate GaN FET technology. While it provides the main features of a half-bridge converter, it is not intended to be a finished product and does not have all the protection features found in commercial power supplies.

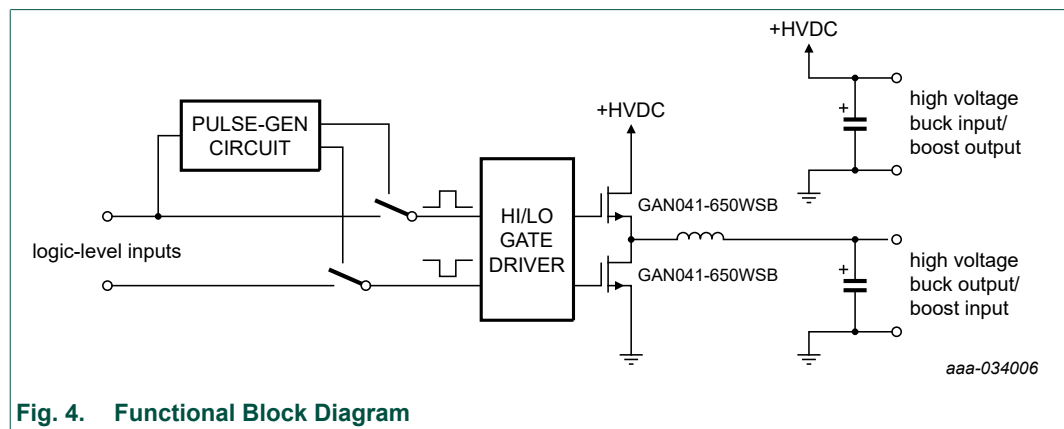
There is no specific protection against over-current or over-voltage on this board.

If the on-board pulse generation circuit is used in boost mode, a zero input corresponds to 100% duty cycle for the active low-side switch.

### 5. Circuit description

The circuit comprises a simple half-bridge featuring two GAN041-650WSB GaN FETs, as indicated in the block diagram of [Fig. 4](#). Two high-voltage ports are provided which can serve as either input or output, depending on the configuration: boost or buck. In either case one GaN FET acts as the active power switch while the other carries the freewheeling current. The latter device may be enhanced, as a synchronous rectifier, or not. With GaN FETs the reverse recovery charge is low and there is no need for additional freewheeling diodes. Two input connectors are provided which can be connected to sources of logic-level command signals for the hi/lo gate driver. Both inputs may be driven by off-board signal sources, or alternatively, a single signal source may be connected to an on-board pulse-generator circuit which generates the two non-overlapping pulses. Jumpers determine how the input signals are used.

An inductor is provided as a starting point for investigation. This is a 330  $\mu\text{H}$  toroid intended to demonstrate a reasonable compromise between size and efficiency for power up to 3.5 kW at a switching frequency of 100 kHz.



**Fig. 4. Functional Block Diagram**

### 6. Configuration

[Fig. 5](#) shows the basic power connections for buck and boost modes. For buck mode, the HVdc input (terminals J2, J3) is connected to the high-voltage supply and the output is taken from terminals J5 and J7. For boost mode the connections are reversed.

Note that in boost mode a load must be connected. The load current affects the output voltage up to the transition from DCM to CCM. In buck mode the load may be an open circuit. In the latter case – buck mode, no load – the ripple current in the inductor is symmetric about zero, and the soft switching behavior of the GaN FETs may be studied.

## NX-HB-GAN041UL 3.5 kW Half-Bridge evaluation board using GAN041-650WSB

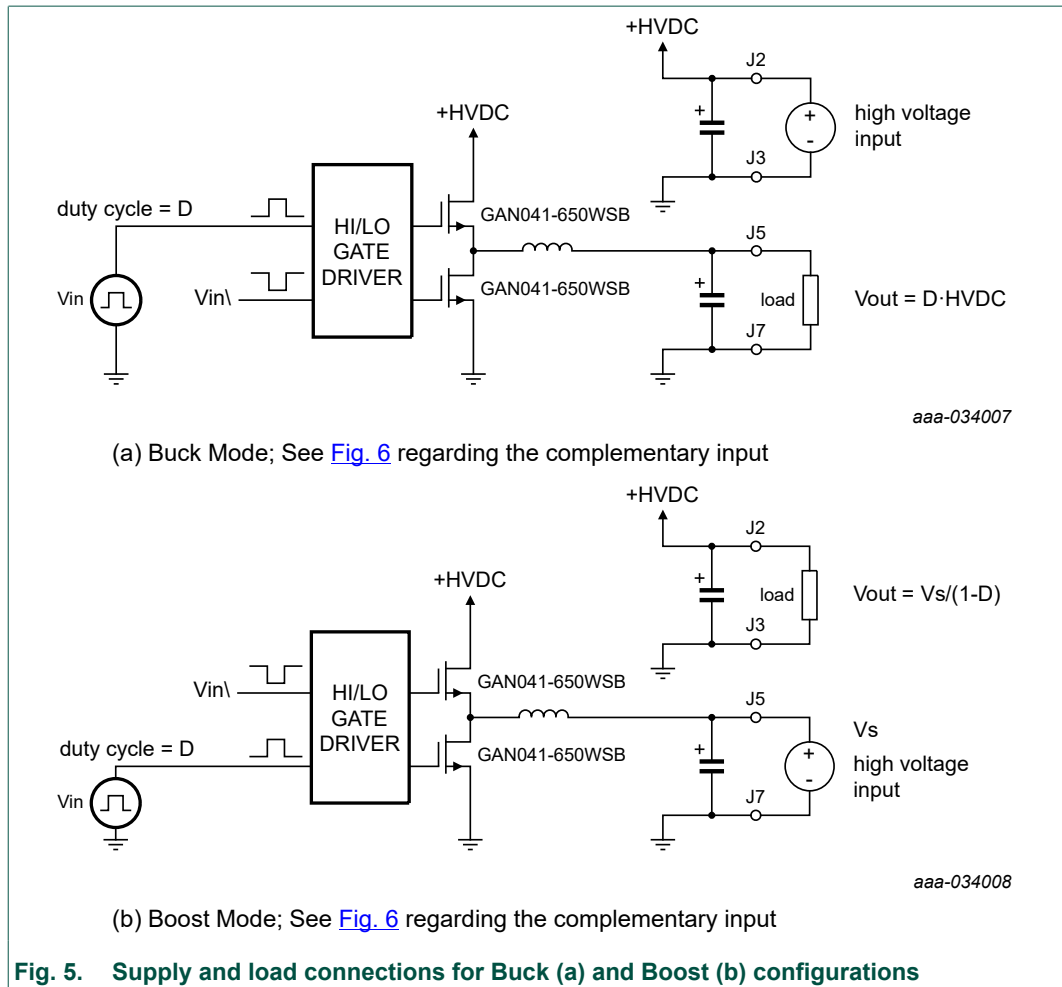


Fig. 6 shows possible configurations for the gate-drive signals. In Fig. 6 (a) a single input from an external signal source is used together with the on-board pulse generation circuit. J4 is used, J6 is left open circuit. Jumpers JP1 and JP2 are in the top position, as shown. If the high-side transistor is to be the active switch (e.g. buck mode), then the duty cycle of the input source should simply be set to the desired duty cycle (D). If the low-side transistor is to be the active switch (e.g. boost mode) the duty cycle of the input source should be set to (1-D), where D is the desired duty cycle of the low-side switch. This configuration results in synchronous rectification. If it is desired to let the device carrying the freewheeling current act as a diode, then the appropriate jumper should be placed so that the pull-down resistor is connected to the driver. Fig. 6 (b) shows a buck-mode configuration where the low-side device is not enhanced. Finally, Fig. 6 (c) shows use of two external signal sources as inputs to the gate driver.

For any configuration an auxiliary supply voltage of 10 V-18 V must be supplied at connector J1.

Pull-down resistors R5 and R6 have a value of 4.99 kΩ. If a 50 Ω signal source is used and 50 Ω termination is desired, then R5 and R6 may be replaced (or paralleled) with 1206 size 50 Ω resistors.

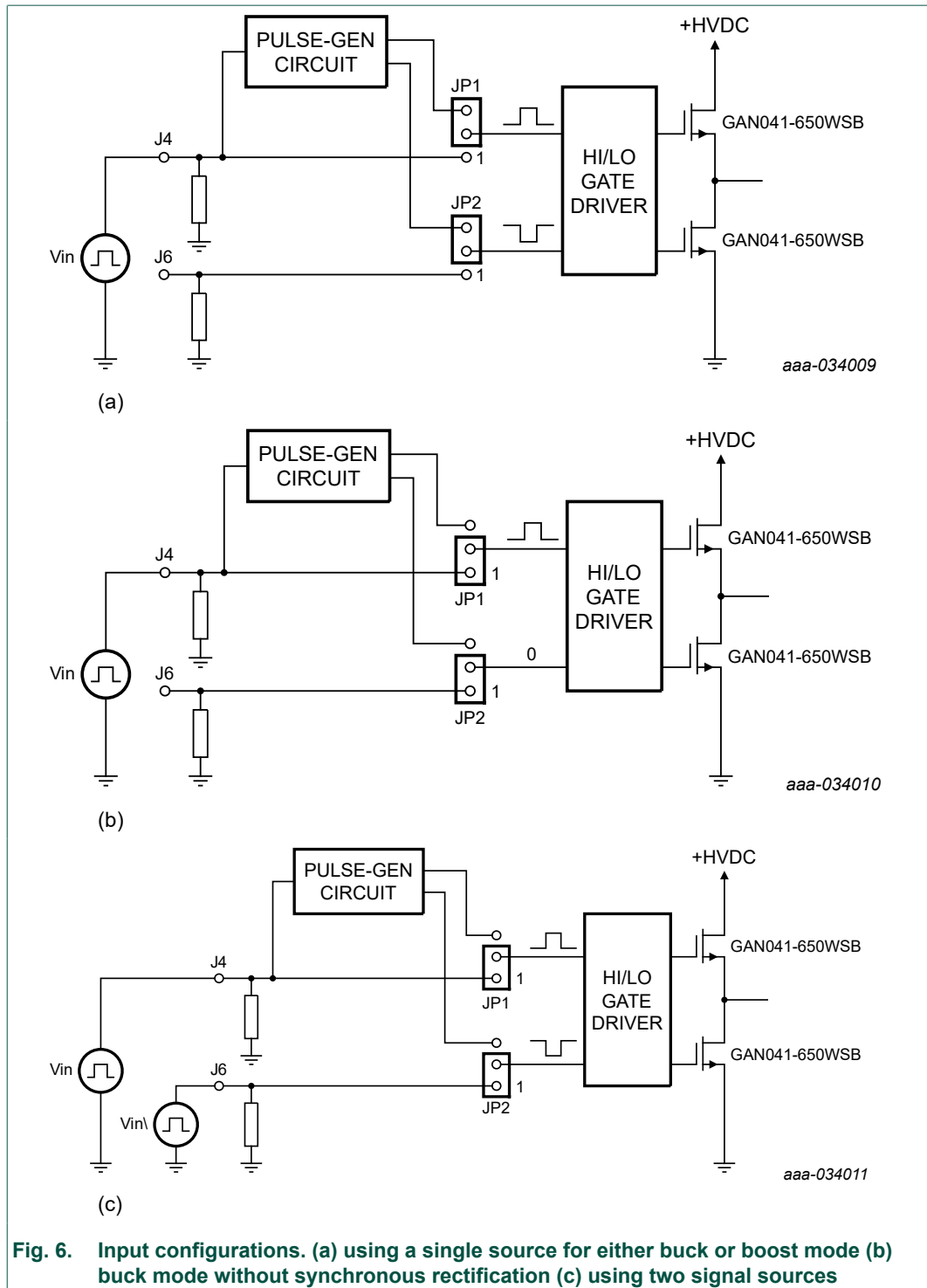
For Si827x series:

- JP3 PIN2 is shorted to JP3 PIN3 to enable Si827x
- R7 is optional for DT function

For Si823x series:

- JP3 PIN2 is shorted to JP3 PIN1 to enable Si823x
- R7 is optional for DT function

## NX-HB-GAN041UL 3.5 kW Half-Bridge evaluation board using GAN041-650WSB



**Fig. 6. Input configurations. (a) using a single source for either buck or boost mode (b) buck mode without synchronous rectification (c) using two signal sources**

**Caution:** If the on-board pulse-generation circuit is used for boost mode, be aware that a steady state zero input (or disconnected signal source) will result in the low-side FET being turned on continuously. Ensure that high voltage is not applied to J5 until the input is switching. This configuration results in synchronous rectification. If it is desired to let the device carrying the freewheeling current act as a diode, then the appropriate jumper should be placed so that the pulldown resistor is connected to the driver. Fig 6(b) shows a buck-mode configuration where the lowside device is not enhanced. Finally, Fig 6(c) shows use of two external signal sources as inputs to the gate driver.

## 7. Design details

---

For this evaluation board, the half-bridge converter circuit has been implemented on a 4-layer PCB and uses two Nexperia GAN041-650WSB GaN FETs

The circuit schematic, PCB layout and bill of materials for the NX-HB-GAN041UL evaluation board are shown in the next sections.



7.1. NX-HB-GAN041UL schematic

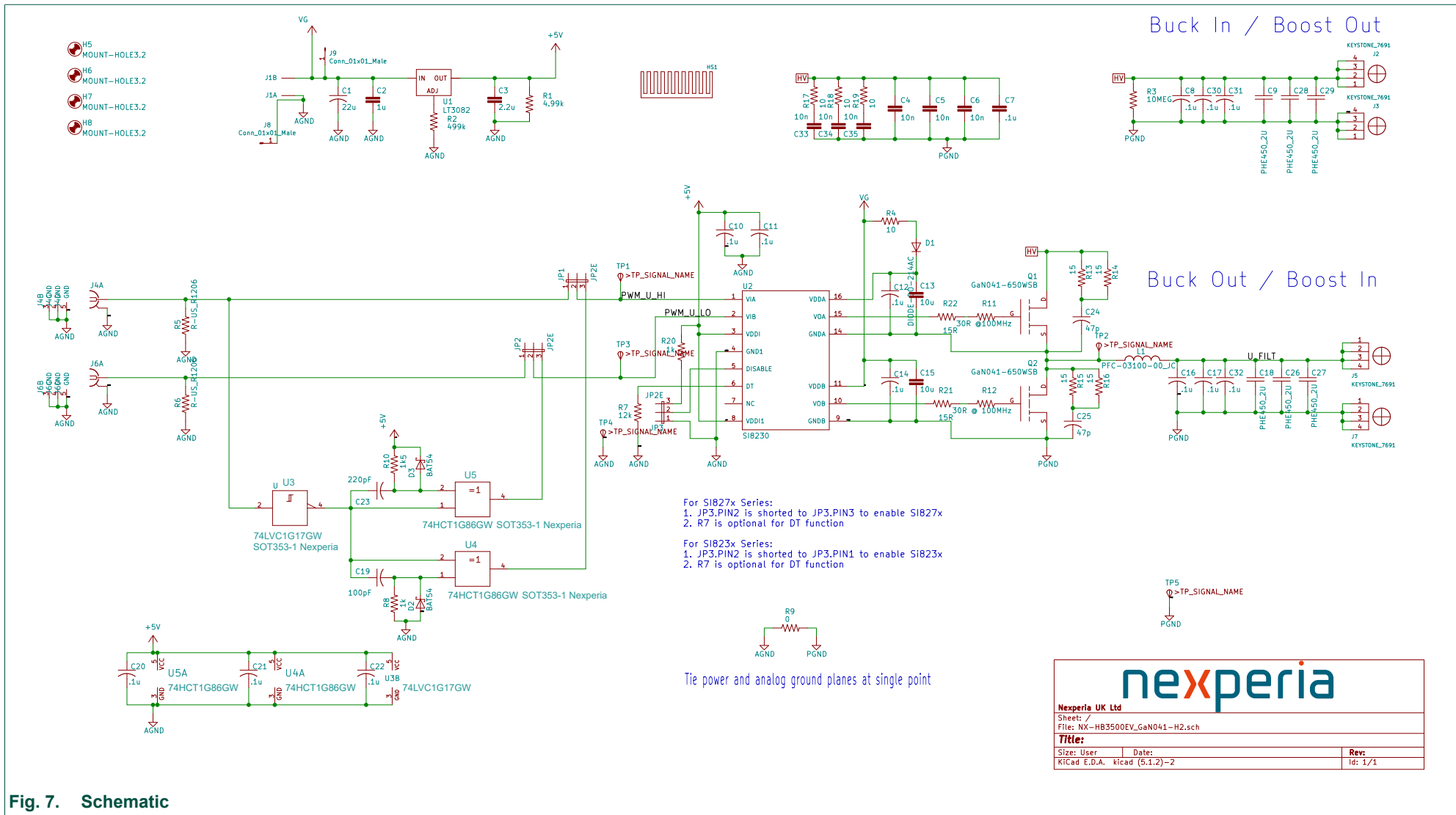


Fig. 7. Schematic

7.2. NX-HB-GAN041UL\_0V1 PCB Layout

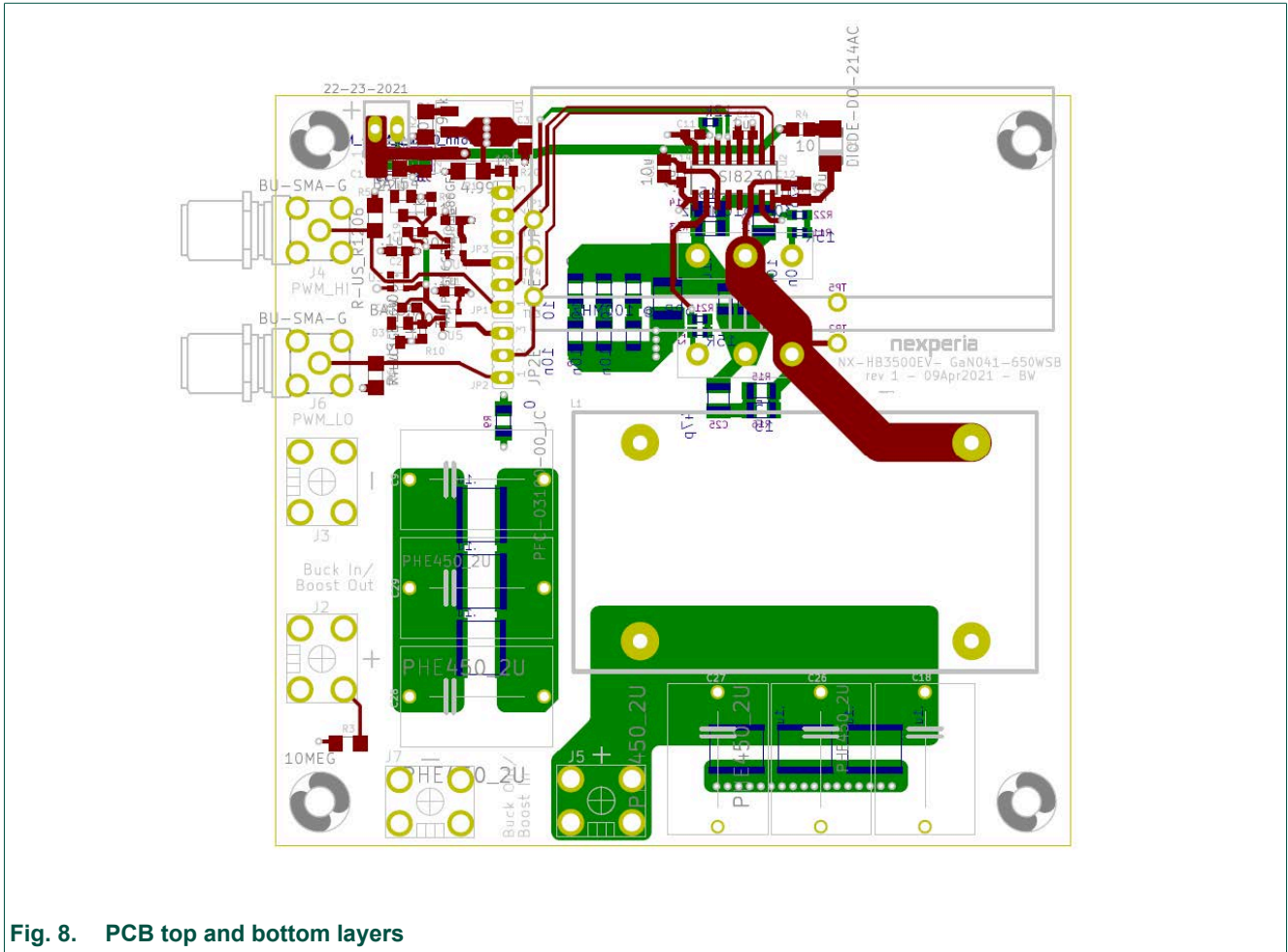


Fig. 8. PCB top and bottom layers

NX-HB-GAN041UL 3.5 kW Half-Bridge evaluation board using GAN041-650WSB

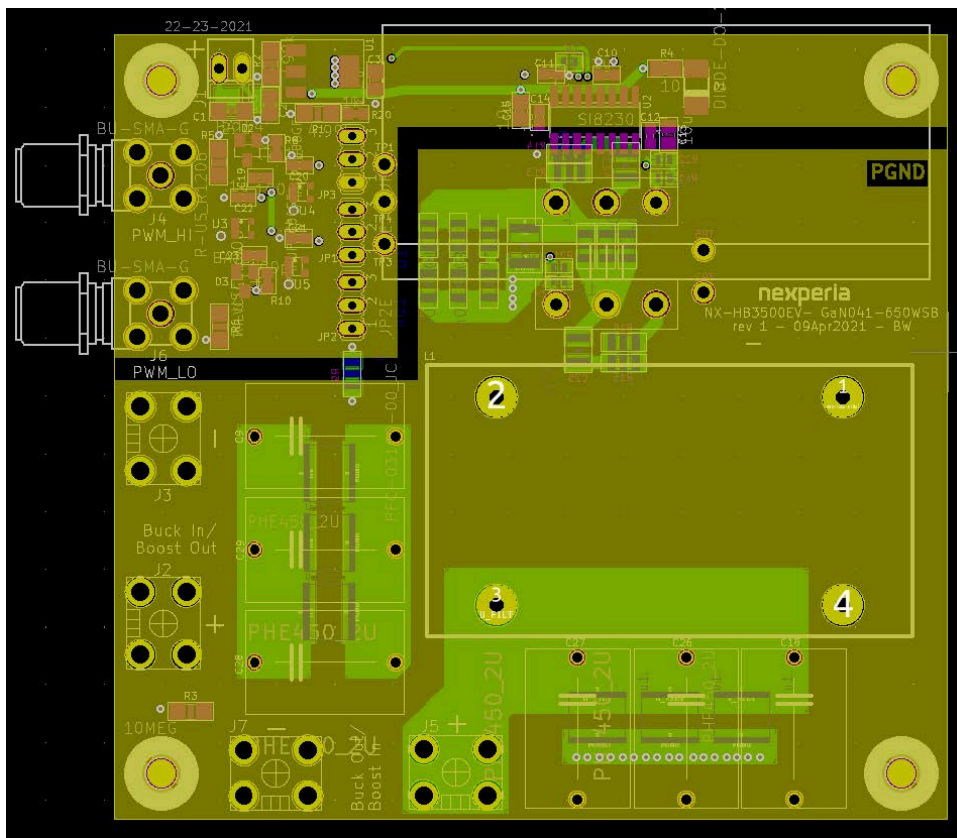


Fig. 9. PCB inner layer 2, ground plane

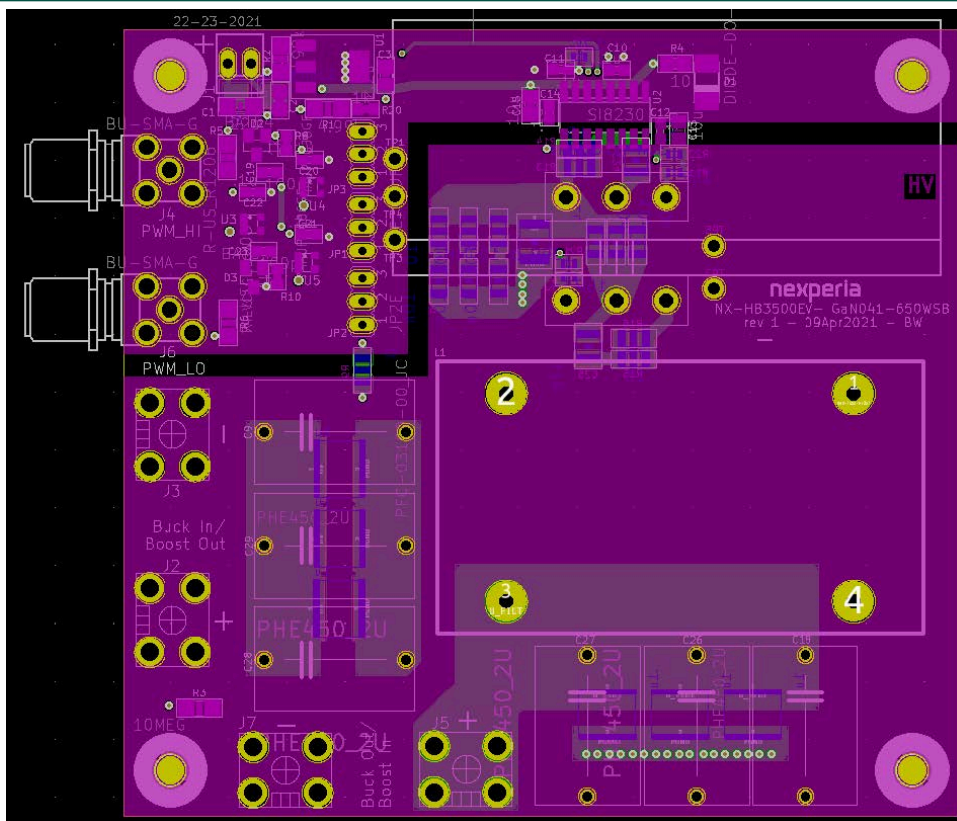


Fig. 10. PCB inner layer 3, power plane

### 7.3. NX-HB-GAN041UL\_0V1 evaluation board Bill of Materials (BOM)

Table 2. NX-HB-GAN041UL\_0V1 Bill of Materials

Designator	Value	Footprint	Qty	Voltage rating	ACS Power Rating	ACS Tolerance	Manufacturer 1	Manufacturer Part Number 1	Supplier	Order number
C1	22uF	C1206	1	35V		10%				
C2	1uF	C0805	1	50V		10%				
C3	2.2uF	C0805	1	50V		10%				
C4, C5, C6, C33, C34, C35	10nF	C1206	6	1kV		10%				
C7	100nF	C1812	1	1kV		10%				
C8, C16, C17, C30, C31, C32	100nF	C2225K	6	1kV		10%				
C9, C18, C26, C27, C28, C29	2.2uF	PHE450_2UF	6	450V		10%	Panasonic	ECW-FE2W225KA		
C10, C11, C12, C14, C20, C21, C22	100nF	C0603	7	100V		10%				
C13, C15	10uF	C0805	2	35V		10%				
C19	100pF	C0603	2	100V		5%				
C23	220pF	C0603	2	100V		5%				
C24, C25	47pF	C1210	2	1kV		5%				
D1		DO-214AC	1				ON Semiconductor / Fairchild	ES1G		
D2, D3		SOT23	2				Nexperia	BAT54C		
HS1		COOL_INNO_1	1				Cool Innovations	3-242411 MS73377		
J1		22-23-2021	1				Molex	22-23-2021		
J2, J3, J5, J7		KEYSTONE_7691	14				Keystone Electronics	7691-SEMS		
J4, J6		BU-SMA-G	2				Molex	73100-0114		

## NX-HB-GAN041UL 3.5 kW Half-Bridge evaluation board using GAN041-650WSB

Designator	Value	Footprint	Qty	Voltage rating	ACS Power Rating	ACS Tolerance	Manufacturer 1	Manufacturer Part Number 1	Supplier	Order number
JP1, JP2, JP3			3				AMP - TE CONNECTIVITY	826936-3		
L1	50 turns of 2.0mm (AWG12 class 155C or higher, single build, gold or natural colour)	PFC-03100-00	1				Mag Inc	55439-A2		
Q1, Q2		TO247	2				Nexperia	GAN041-650WSB		
R1	4.99kR	R1206	1	200V	250mW	1%				
R2	499kR	R1206	1	200V	250mW	1%				
R3	10MR	R1206	1	200V	250mW	1%				
R4	10R	R0805	1	150V	125mW	1%				
R5, R6	51R	R1206	2	200V	250mW	1%				
R7	12kR	R0603	1	50V	100mW	1%				
R8, R20	1kR	R0603	3	50V	100mW	1%				
R10	1k5	R0603	3	50V	100mW	1%				
R9	0mR	R1206	1	200V	250mW	1%				
R11, R12	220R	R0603	2			25%	Murata	BLM18AG221 SN1D		
R13, R14, R15, R16	15R	R1206	4	200V	250mW	1%				
R17, R18, R19	10R	R1206	3	200V	500mW	1%				
R21, R22	15R	R0603	2	150V	250mW	1%	Panasonic	ERJPA3F15R0V		
U1		SOT223-3	1				Analog Devices / Linear Technology	LT3082EST #PBF		
U2		SOIC16N	1				Silicon Labs	SI8273BB-IS1		
U3		SOT353-1	1				Nexperia	74LVC1G17GW		
U4, U5		SOT353-1	2				Nexperia	74HCT1G86GW		

## NX-HB-GAN041UL 3.5 kW Half-Bridge evaluation board using GAN041-650WSB

Designator	Value	Footprint	Qty	Voltage rating	ACS Power Rating	ACS Tolerance	Manufacturer 1	Manufacturer Part Number 1	Supplier	Order number
Alumina insulator		Q1 high side	1				Aavid	4169G	Mouser	532-4169G
M3x15 Standoff Black Nylon			4						Farnell	1733422
60mmx60mmx15mm Axial Fan, Airflow >27m³/h Vapo bearing			1						Farnell	3050790
M4x50 Pan Head Pozi			4							
M4 Nuts			4							
M3x20 Pan Head Pozi			1							
M3 Plain Washer			2							
M3 Plain nut			1							
M3x6 Pan head Pozi			4							
60mmx60mm Metal Fan Guard			1							
Turret Solder / Press Mount Terminal, Non Insulated, 1.57 mm, Tin, 6.13 mm, 2.13 mm (For inductor)			2				Keystone	1562-2		
TP1,TP2,TP3,TP4,TP5			5				Keystone	5001		
Thermal Paste							Electrolube	HTC10S		



## 8. Using the board

The board can be used for evaluation of basic switching functionality in a variety of circuit configurations. It is not a complete circuit, but rather a building block. It can be used in steady-state DC/DC converter mode with output power up to 3.5 kW.

## 9. Dead time control

The required form of the gate-drive signals is shown in [Fig. 11](#). The times marked A are the deadtimes when neither transistor is driven on. The deadtime must be greater than zero to avoid shoot-through currents. The Si8230BB and the Si8273BB gate driver ICs ensures a minimum deadtime based on the value of resistor R7, connected to the DT input. The deadtime in ns is equal to the resistance in  $K\Omega \times 10$ : so the default value of 12  $K\Omega$  corresponds to 120 ns. This will add to any deadtime already present in the input signals. The on-board pulse generator circuit, for example, creates deadtimes of about the 60 ns. The resulting deadtime at the gate pins of Q1 and Q2 is about 180 ns. Either shorting or removing R7 will reduce the deadtime to 60 ns.

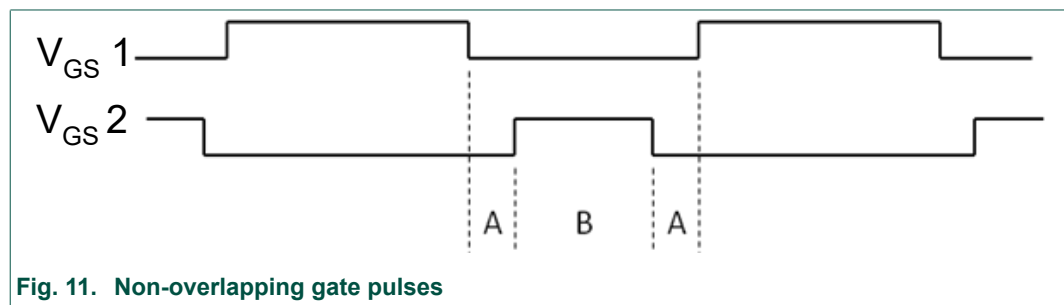


Fig. 11. Non-overlapping gate pulses

## 10. Probing

Test points TP4 and TP5, (AGND and PGND respectively), are provided for probing the switching waveform. In order to minimize inductance during measurement, the tip and the ground of the probe should be directly attached to the sensing points to minimize the sensing loop. Coiled bus wire can be effectively used to make these connections, as indicated in [Fig. 12](#).

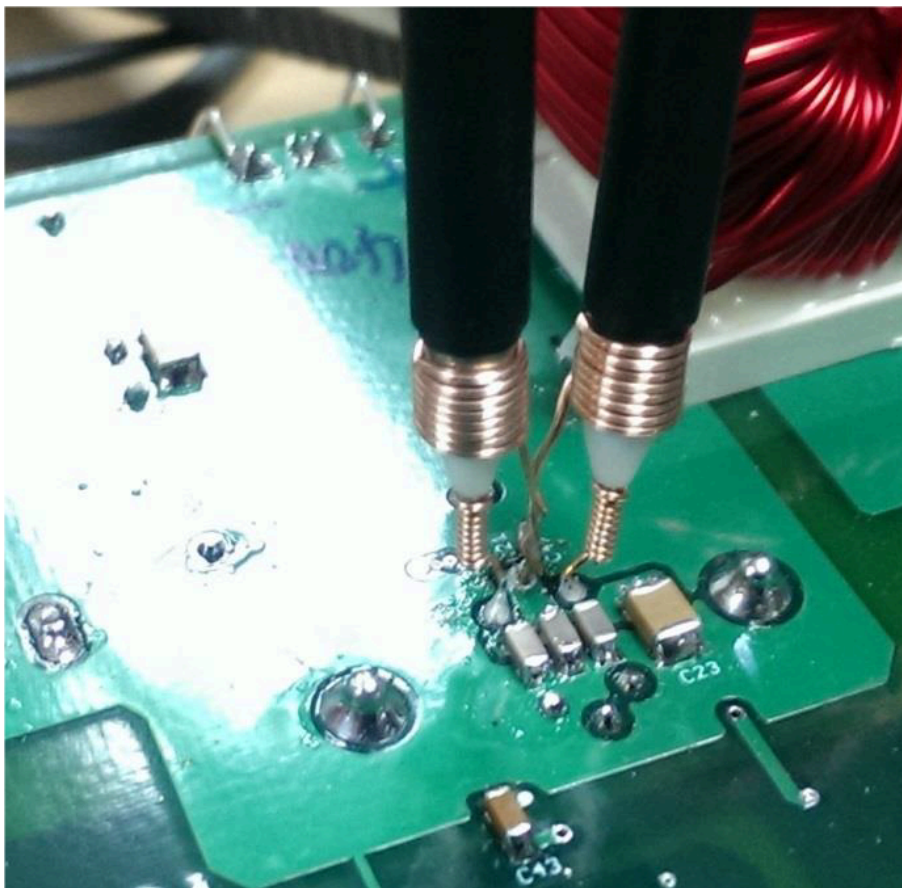


Fig. 12. Low-inductance probing of fast, high-voltage signals

## 11. Typical switching waveforms

Fig. 13, Fig. 14 and Fig. 15 show the typical switching waveforms with conditions:

- Load current = 10 A
- $V_{\text{supply}} = 400 \text{ VDC}$
- $V_{\text{out}} = 230 \text{ VDC}$

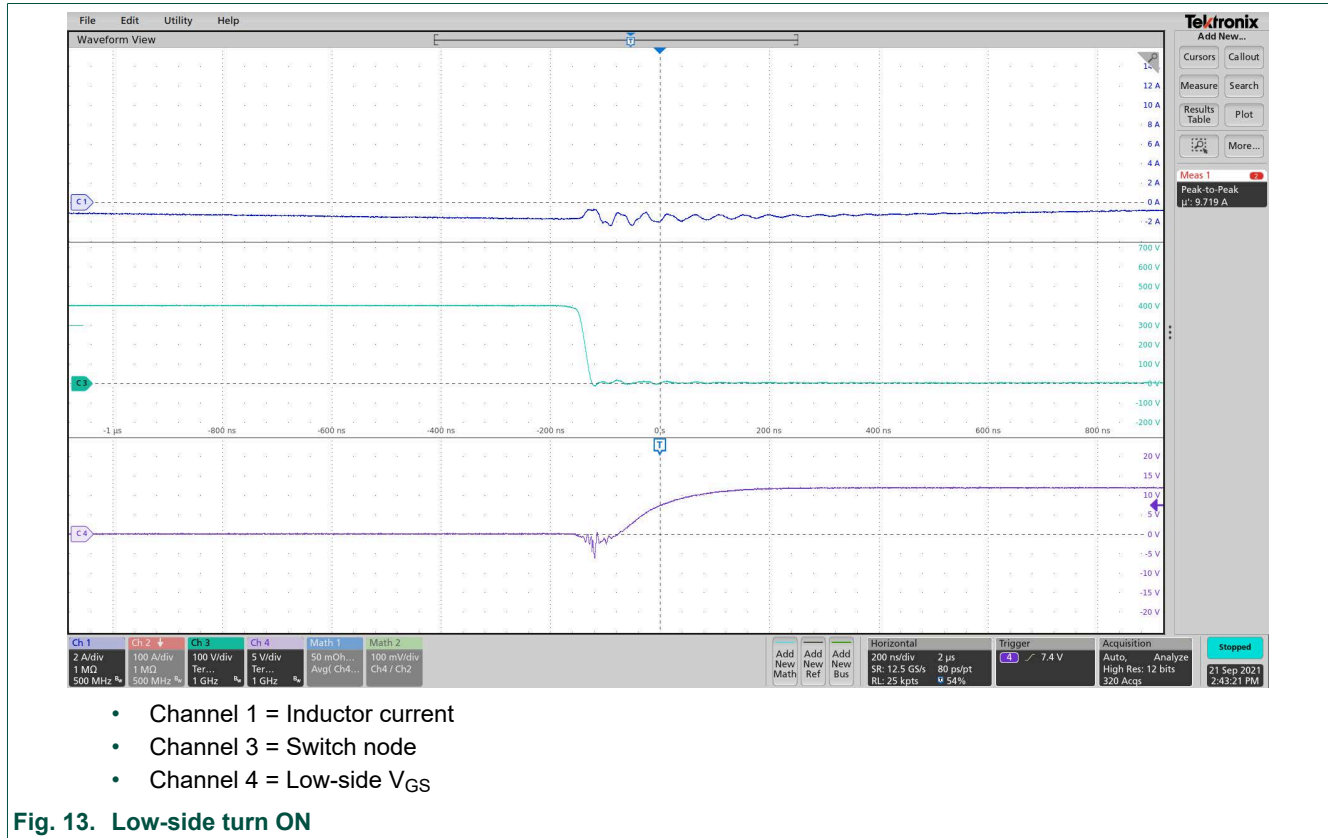
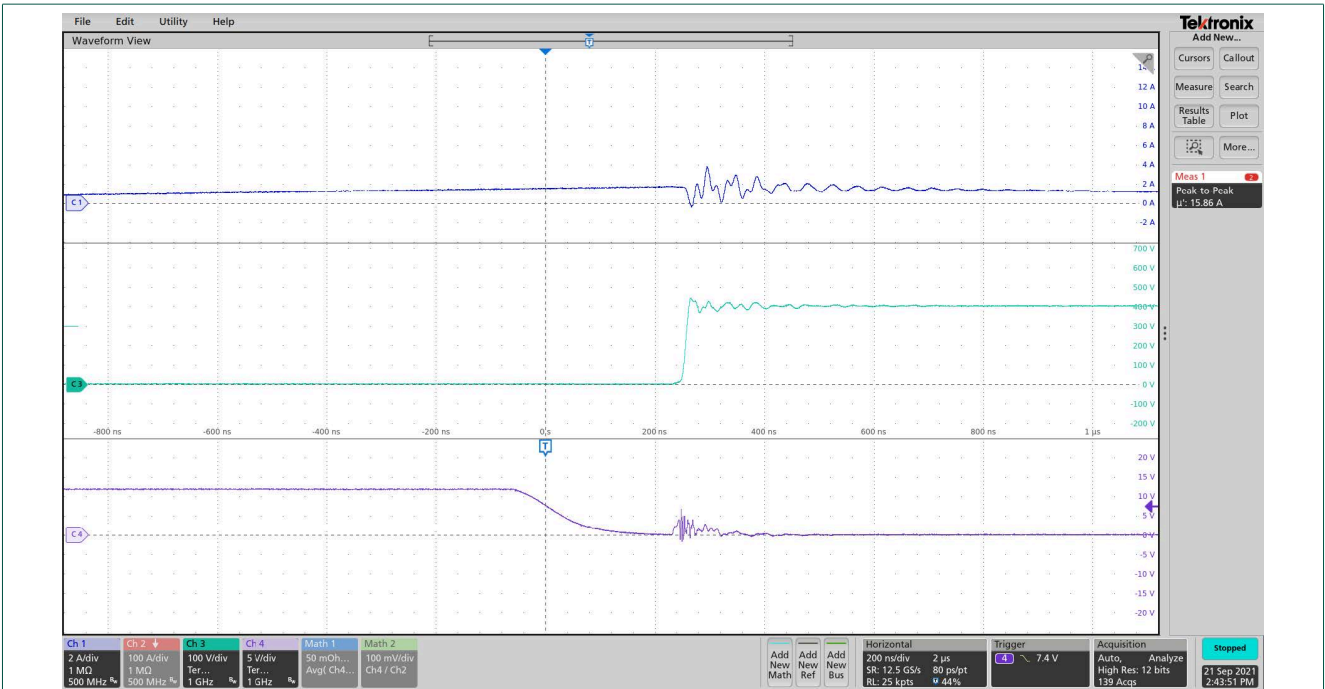


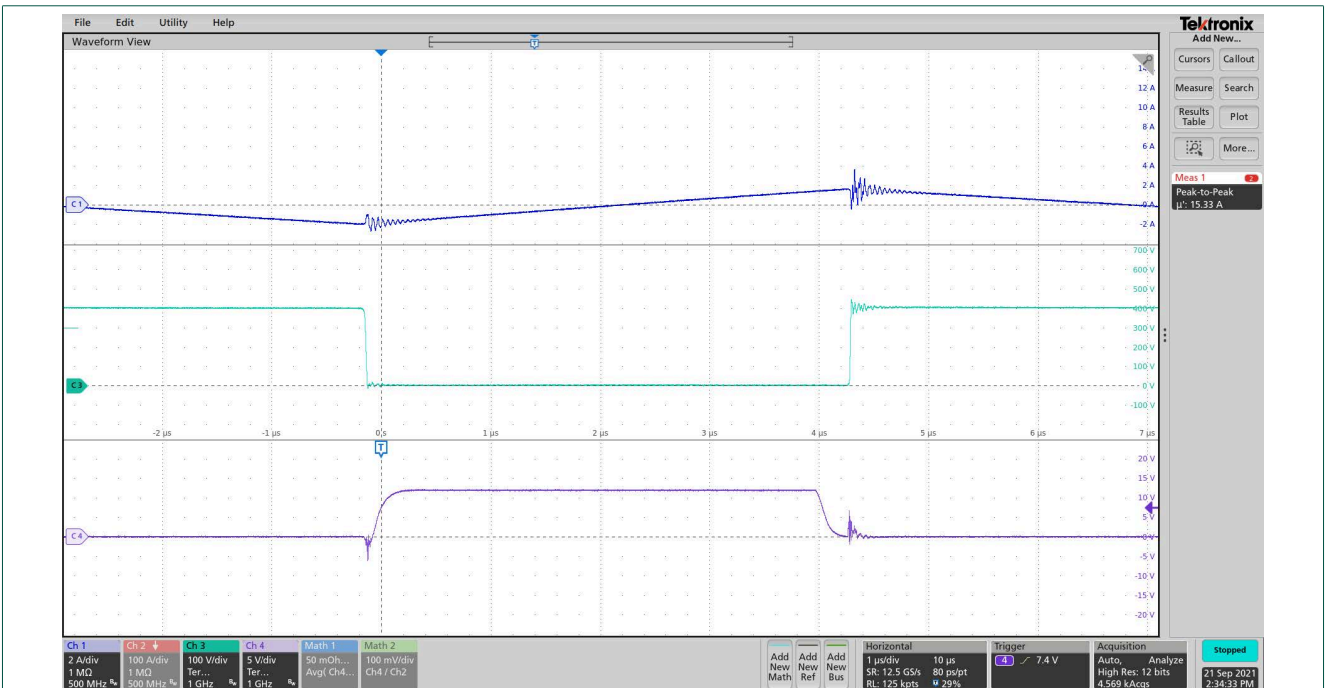
Fig. 13. Low-side turn ON

NX-HB-GAN041UL 3.5 kW Half-Bridge evaluation board using GAN041-650WSB



- Channel 1 = Inductor current
- Channel 3 = Switch node
- Channel 4 = Low-side  $V_{GS}$

Fig. 14. Low-side turn OFF

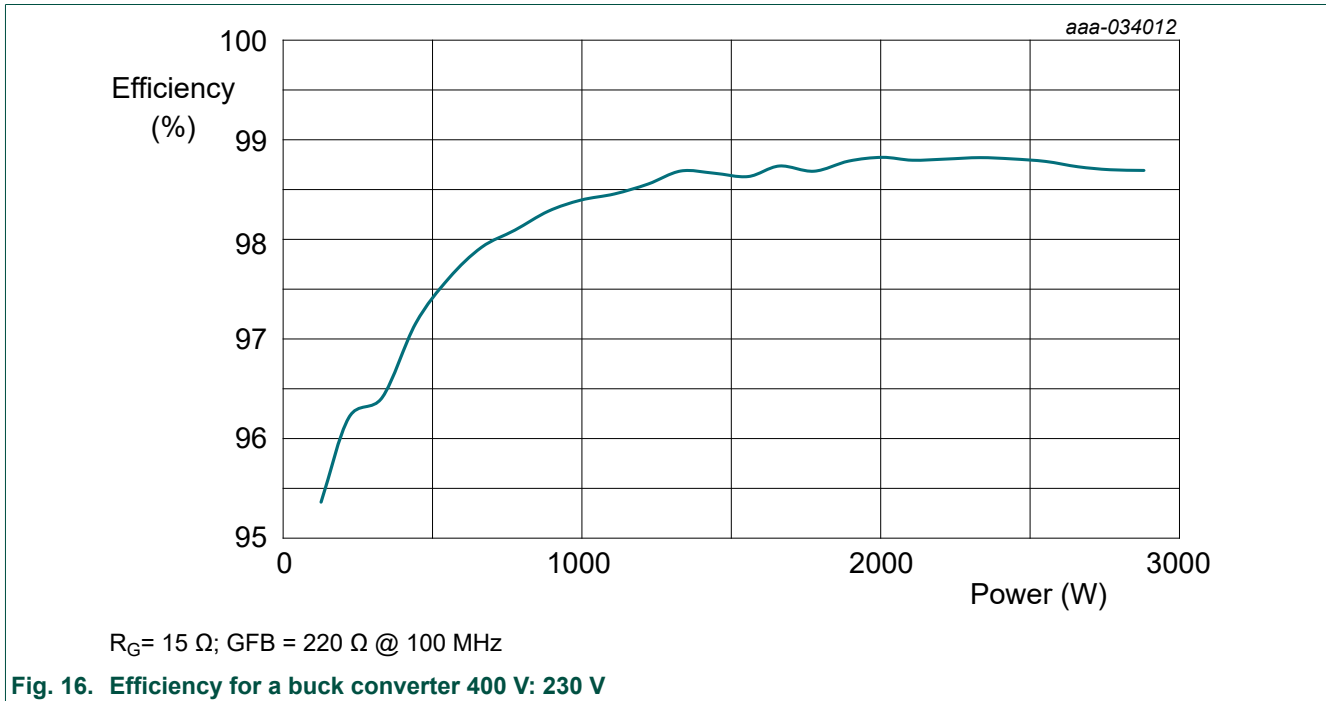


- Channel 1 = Inductor current
- Channel 3 = Switch node
- Channel 4 = Low-side  $V_{GS}$

Fig. 15. Switching cycle

## 12. Efficiency sweep

Efficiency has been measured for this circuit in buck mode with a 400 VDC input and 230 VDC output, switching at 100 kHz.



## 13. Revision history

Table 3. Revision history

Revision number	Date	Description
1.2	2023-10-23	<a href="#">Section 1</a> and <a href="#">Section 2</a> added. Evaluation board name changed from NX-HB3500EV to NX-HB-GAN041UL.
1.1	2021-11-08	Component values updated for U3, U4, U5, R10 and C23 in <a href="#">Section 7.1</a> and for R10 and C23 in <a href="#">Section 7.3</a> .
1.0	2021-10-14	Initial version.

## 14. Legal information

### Definitions

**Draft** — The document is a draft version only. The content is still under internal review and subject to formal approval, which may result in modifications or additions. Nexperia does not give any representations or warranties as to the accuracy or completeness of information included herein and shall have no liability for the consequences of use of such information.

### Disclaimers

**Limited warranty and liability** — Information in this document is believed to be accurate and reliable. However, Nexperia does not give any representations or warranties, expressed or implied, as to the accuracy or completeness of such information and shall have no liability for the consequences of use of such information. Nexperia takes no responsibility for the content in this document if provided by an information source outside of Nexperia.

In no event shall Nexperia be liable for any indirect, incidental, punitive, special or consequential damages (including - without limitation - lost profits, lost savings, business interruption, costs related to the removal or replacement of any products or rework charges) whether or not such damages are based on tort (including negligence), warranty, breach of contract or any other legal theory.

Notwithstanding any damages that customer might incur for any reason whatsoever, Nexperia's aggregate and cumulative liability towards customer for the products described herein shall be limited in accordance with the Terms and conditions of commercial sale of Nexperia.

**Right to make changes** — Nexperia reserves the right to make changes to information published in this document, including without limitation specifications and product descriptions, at any time and without notice. This document supersedes and replaces all information supplied prior to the publication hereof.

**Suitability for use** — Nexperia products are not designed, authorized or warranted to be suitable for use in life support, life-critical or safety-critical systems or equipment, nor in applications where failure or malfunction of an Nexperia product can reasonably be expected to result in personal injury, death or severe property or environmental damage. Nexperia and its suppliers accept no liability for inclusion and/or use of Nexperia products in such equipment or applications and therefore such inclusion and/or use is at the customer's own risk.

**Applications** — Applications that are described herein for any of these products are for illustrative purposes only. Nexperia makes no representation or warranty that such applications will be suitable for the specified use without further testing or modification.

Customers are responsible for the design and operation of their applications and products using Nexperia products, and Nexperia accepts no liability for any assistance with applications or customer product design. It is customer's sole responsibility to determine whether the Nexperia product is suitable and fit for the customer's applications and products planned, as well as for the planned application and use of customer's third party customer(s). Customers should provide appropriate design and operating safeguards to minimize the risks associated with their applications and products.

Nexperia does not accept any liability related to any default, damage, costs or problem which is based on any weakness or default in the customer's applications or products, or the application or use by customer's third party customer(s). Customer is responsible for doing all necessary testing for the customer's applications and products using Nexperia products in order to avoid a default of the applications and the products or of the application or use by customer's third party customer(s). Nexperia does not accept any liability in this respect.

**Export control** — This document as well as the item(s) described herein may be subject to export control regulations. Export might require a prior authorization from competent authorities.

**Translations** — A non-English (translated) version of a document is for reference only. The English version shall prevail in case of any discrepancy between the translated and English versions.

### Trademarks

Notice: All referenced brands, product names, service names and trademarks are the property of their respective owners.



**List of Tables**

Table 1. NX-HB-GAN041UL Input/Output specifications.....4  
Table 2. NX-HB-GAN041UL\_0V1 Bill of Materials..... 12  
Table 3. Revision history..... 19

## List of Figures

Fig. 1. Example of a safety enclosure in the Nexperia lab...	2
Fig. 2. Example of a probe positioner.....	3
Fig. 3. NX-HB-GAN041UL GAN041-650WSB half- bridge evaluation board.....	4
Fig. 4. Functional Block Diagram.....	5
Fig. 5. Supply and load connections for Buck (a) and Boost (b) configurations.....	6
Fig. 6. Input configurations. (a) using a single source for either buck or boost mode (b) buck mode without synchronous rectification (c) using two signal sources.....	7
Fig. 7. Schematic.....	9
Fig. 8. PCB top and bottom layers.....	10
Fig. 9. PCB inner layer 2, ground plane.....	11
Fig. 10. PCB inner layer 3, power plane.....	11
Fig. 11. Non-overlapping gate pulses.....	15
Fig. 12. Low-inductance probing of fast, high-voltage signals.....	16
Fig. 13. Low-side turn ON.....	17
Fig. 14. Low-side turn OFF.....	18
Fig. 15. Switching cycle.....	18
Fig. 16. Efficiency for a buck converter 400 V: 230 V.....	19

## Contents

---

<b>1. EVALUATION BOARD TERMS OF USE</b> .....	<b>2</b>
<b>2. High Voltage Safety Precautions</b> .....	<b>2</b>
<b>3. Introduction</b> .....	<b>4</b>
3.1. Quick reference information.....	4
<b>4. Warnings</b> .....	<b>5</b>
<b>5. Circuit description</b> .....	<b>5</b>
<b>6. Configuration</b> .....	<b>5</b>
<b>7. Design details</b> .....	<b>8</b>
7.1. NX-HB-GAN041UL schematic.....	9
7.2. NX-HB-GAN041UL_0V1 PCB Layout.....	10
7.3. NX-HB-GAN041UL_0V1 evaluation board Bill of Materials (BOM).....	12
<b>8. Using the board</b> .....	<b>15</b>
<b>9. Dead time control</b> .....	<b>15</b>
<b>10. Probing</b> .....	<b>16</b>
<b>11. Typical switching waveforms</b> .....	<b>17</b>
<b>12. Efficiency sweep</b> .....	<b>19</b>
<b>13. Revision history</b> .....	<b>19</b>
<b>14. Legal information</b> .....	<b>20</b>

---

© Nexperia B.V. 2023. All rights reserved

For more information, please visit: <http://www.nexperia.com>  
For sales office addresses, please send an email to: [salesaddresses@nexperia.com](mailto:salesaddresses@nexperia.com)  
Date of release: 23 October 2023

---