

# 5W UK Wall Plug USB Adapter

## 5V DC, 1A

**multicomp** PRO

**RoHS  
Compliant**



### Features

- United Kingdom Fixed AC Head
- Level VI Efficiency
- CE Approved

### Description

The product is a Class II, 5 Watt AC/DC United Kingdom plug-in power supplies provide 5 Watts of continuous power in a compact fixed wall plug enclosure suitable for use in many general power applications.

### Specifications

Input Voltage Range	90V AC to 264V AC
Input Frequency Range	50Hz to 60Hz
Input Current Rated	0.2A max
Output Voltage Rating	+5V
Output Current Range	1A
Output Current Min.	0A
Output Connection Type	USB Socket
Total Output Regulation	±5%
Line and Load Regulation	±5%
Ripple & Noise	300m Vp-p
Efficiency	73.77% Min
Over Voltage Protection	10V Maximum
Over Current Protection	1.5A Maximum with Auto-Recovery Function
Short-Circuit Protection	The Adapter Shall not be Damaged by Short the DC Output to Ground.
Operating Temperature	0°C to 40°C
Storage Temperature	-20°C to +60°C
Operating Humidity	20% to 85%
Storage Humidity	5% to 95%
Hi-Pot	3000V AC 10mA 1min
Leakage Current	0.2mA max
Safety Standard	Designed to Meet EMI Standard
EMI Standard	Designed to meet CE (EN55032)
MTBF	50K Hours
Size Max.	47.3mm (L) × 49.5mm (W) × 50.7(H)
Weight	40g ±15%
Regulator Type	Switched Mode Power Supply

Newark.com/multicomp-pro  
Farnell.com/multicomp-pro  
sg.element14.com/b/multicomp-pro

**multicomp** PRO

# 5W UK Wall Plug USB Adapter

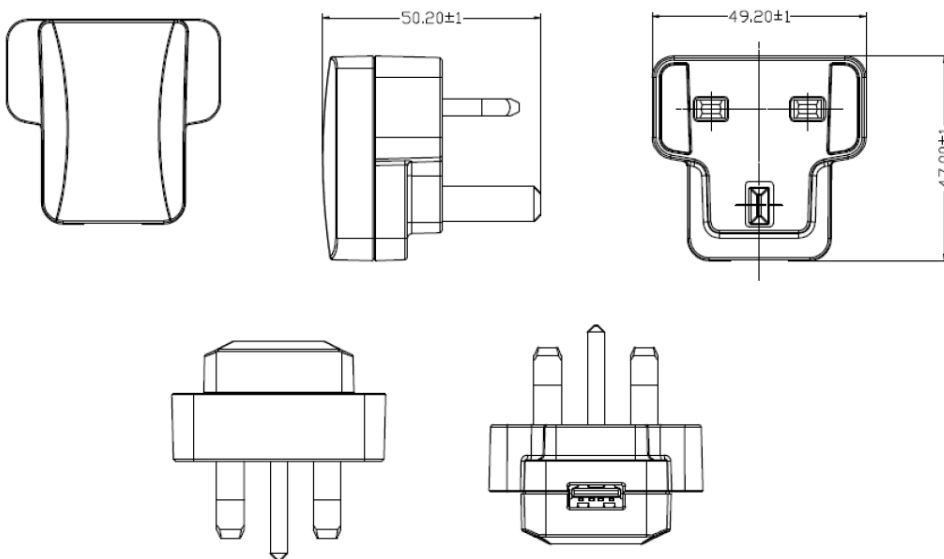
## 5V DC, 1A



### Test standards associated under CE for T6220ST-FA:

Test Standards	
EN 55032:2015 CISPR 32:2012	Electromagnetic compatibility of multimedia equipment - Emission requirements
EN IEC 61000-3-2:2019	Electromagnetic compatibility (EMC) - Part 3-2: Limits - Limits for harmonic current emissions (equipment input current up to and including 16 A per phase)
EN 61000-3-3:2013+A1:2019	Electromagnetic compatibility (EMC) -- Part 3-3: Limits - Limitation of voltage changes, voltage fluctuations and flicker in public low-voltage supply systems, for equipment with rated currents 16 A per phase and not subject to conditional connection
EN 55035:2017 CISPR 35:2016	Electromagnetic compatibility of multimedia equipment - Immunity requirements

### Diagram



### Part Number Table

Description	Part Number
Wall Plug USB Adapter, 5W, 5V DC, 1A, UK Plug	MP001980

Dimensions : Millimetres

**Important Notice :** This data sheet and its contents (the "Information") belong to the members of the AVNET group of companies (the "Group") or are licensed to it. No licence is granted for the use of it other than for information purposes in connection with the products to which it relates. No licence of any intellectual property rights is granted. The Information is subject to change without notice and replaces all data sheets previously supplied. The Information supplied is believed to be accurate but the Group assumes no responsibility for its accuracy or completeness, any error in or omission from it or for any use made of it. Users of this data sheet should check for themselves the Information and the suitability of the products for their purpose and not make any assumptions based on information included or omitted. Liability for loss or damage resulting from any reliance on the Information or use of it (including liability resulting from negligence or where the Group was aware of the possibility of such loss or damage arising) is excluded. This will not operate to limit or restrict the Group's liability for death or personal injury resulting from its negligence. Multicomp Pro is the registered trademark of Premier Farnell Limited 2019.

Newark.com/multicomp-pro  
Farnell.com/multicomp-pro  
sg.element14.com/b/multicomp-pro

