

DC Power Jack Connector

multicomp PRO

**RoHS
Compliant**



Specifications

Rating	: DC 16V 3A
Insertion Force	: 0.5kg to 2.5kg
Withdrawal Force	: 0.5kg to 3kg
Temperature	: 5°C to +35°C.
Relative Humidity	: 40% to 85%.
Humidity Test	: Humidity 90% to 95% Temperature 40°C ±2°C for 96 Hrs.
Heat Test	: Temperature 70°C ±2°C (Humidity Below 50%) for 96 Hrs.
Cold Test	: Temperature -40°C ± 2°C for 96 Hrs.
Solder Heat Resistance/Time	: Wave Soldering or IR Reflow (Peak Temp.: 260°C 10 Secs)

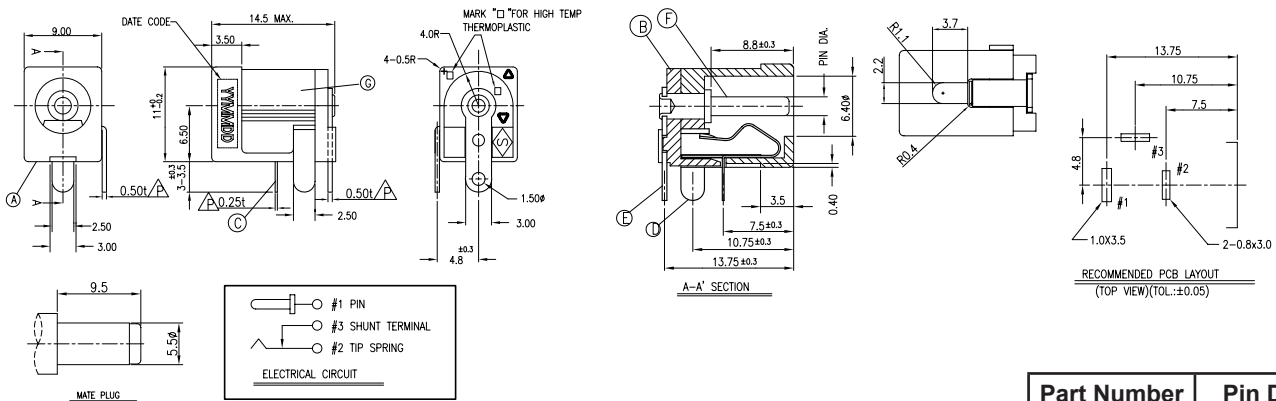
Insulation resistance between any adjacent terminals shall not be less than 100MΩ by 500 volts

Jack shall withstand 250 volts between any adjacent terminal for one minute.

Contact resistance shall not exceed 0.03Ω.

Jack shall withstand 5,000 cycles of insertion and withdrawal with testing plug, and contact resistance shall not exceed 0.1Ω.

Diagram



No	Description	Material	Plating & Colour	Qty.
A	Body	Hi-Thermal Plastic W/ 30%GF., UL94V-0	Black Colour	1
B	Cover			
C	Tip Spring	Copper Alloy, 0.25T	Aq20μ" Min, Ni20μ" Min	
D	Shunt Terminal	Copper Alloy, 0.5T		
E	Terminal	Copper Alloy, 0.5T		
F	Pin	Brass	Ni60μ" Min, Cu80μ" Min	

Part Number	Pin Dia.
MP014747	2.5mm
MP014748	2mm

Dimensions : Millimetres

Newark.com/multicomp-pro
Farnell.com/multicomp-pro
sg.element14.com/b/multicomp-pro

multicomp PRO

Part Number Table

Description	Part Number
DC Power Jack, R/A, PCB, 2.5mm×5.5mm	MP014747
DC Power Jack, R/A, PCB, 2.0mm×5.5mm	MP014748

Important Notice : This data sheet and its contents (the "Information") belong to the members of the AVNET group of companies (the "Group") or are licensed to it. No licence is granted for the use of it other than for information purposes in connection with the products to which it relates. No licence of any intellectual property rights is granted. The Information is subject to change without notice and replaces all data sheets previously supplied. The Information supplied is believed to be accurate but the Group assumes no responsibility for its accuracy or completeness, any error in or omission from it or for any use made of it. Users of this data sheet should check for themselves the Information and the suitability of the products for their purpose and not make any assumptions based on information included or omitted. Liability for loss or damage resulting from any reliance on the Information or use of it (including liability resulting from negligence or where the Group was aware of the possibility of such loss or damage arising) is excluded. This will not operate to limit or restrict the Group's liability for death or personal injury resulting from its negligence. Multicomp Pro is the registered trademark of Premier Farnell Limited 2019.