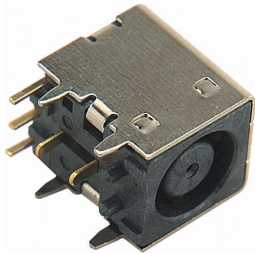


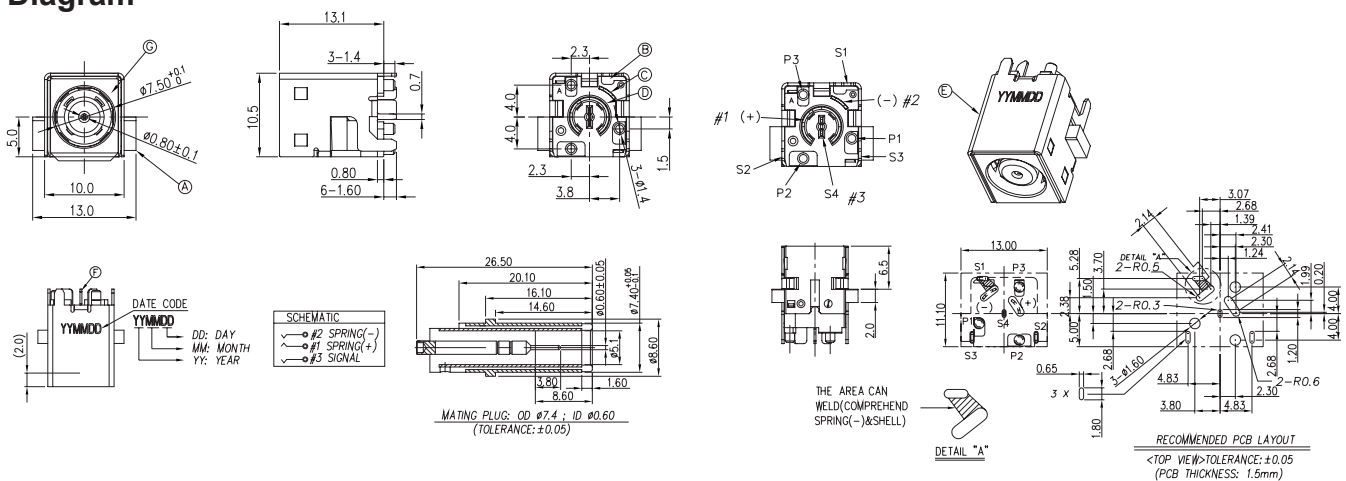
**RoHS
Compliant**



Specifications

Rating	: 20V DC/13A
Contact Resistance	: 20mΩ Max. (Initial)
Dielectric Withstanding Voltage	: 150V AC for One Minute
Insulation Resistance	: 100MΩ Min. Measured by 500V DC
Insertion Force	: 3.0 kgf Max.
Withdrawal Force	: 0.35 kgf Min.
Life Test	: 5,000 Cycles

Diagram



No.	Description	Material	Plating and Colour	Qty.
A	Housing	High Temp. Thermoplastic	Black	1
B	Cover	High Temp. Thermoplastic		
C	Spring (-)	Copper Alloy 0.3t	Gold Flash Over Ni 50μ" Min.	
D	Spring (+)		Gold Flash on Contact Area Sn 120μ" on Solder Tail all over Ni 50μ" Min.	
E	Shell	Brass 0.35t	Nickel 60μ"	
F	Signal	Copper Alloy 0.3t	Gold Flash on Contact Area Sn 120μ" on Solder Tail all over Ni 50μ" Min.	
G	Insulation Film	Mylar 0.075t	Transparent	

Part Number Table

Description	Part Number
DC Power Jack, Vertical, PCB, 0.6mm×5.1mm×7.4mm	MP014750

Dimensions : Millimetres

Important Notice : This data sheet and its contents (the "Information") belong to the members of the AVNET group of companies (the "Group") or are licensed to it. No licence is granted for the use of it other than for information purposes in connection with the products to which it relates. No licence of any intellectual property rights is granted. The Information is subject to change without notice and replaces all data sheets previously supplied. The Information supplied is believed to be accurate but the Group assumes no responsibility for its accuracy or completeness, any error in or omission from it or for any use made of it. Users of this data sheet should check for themselves the Information and the suitability of the products for their purpose and not make any assumptions based on information included or omitted. Liability for loss or damage resulting from any reliance on the Information or use of it (including liability resulting from negligence or where the Group was aware of the possibility of such loss or damage arising) is excluded. This will not operate to limit or restrict the Group's liability for death or personal injury resulting from its negligence. Multicomp Pro is the registered trademark of Premier Farnell Limited 2019.

Newark.com/multicomp-pro
Farnell.com/multicomp-pro
sg.element14.com/b/multicomp-pro