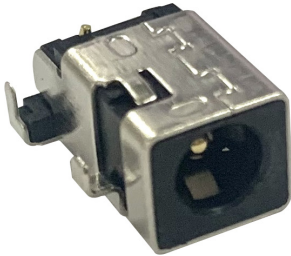


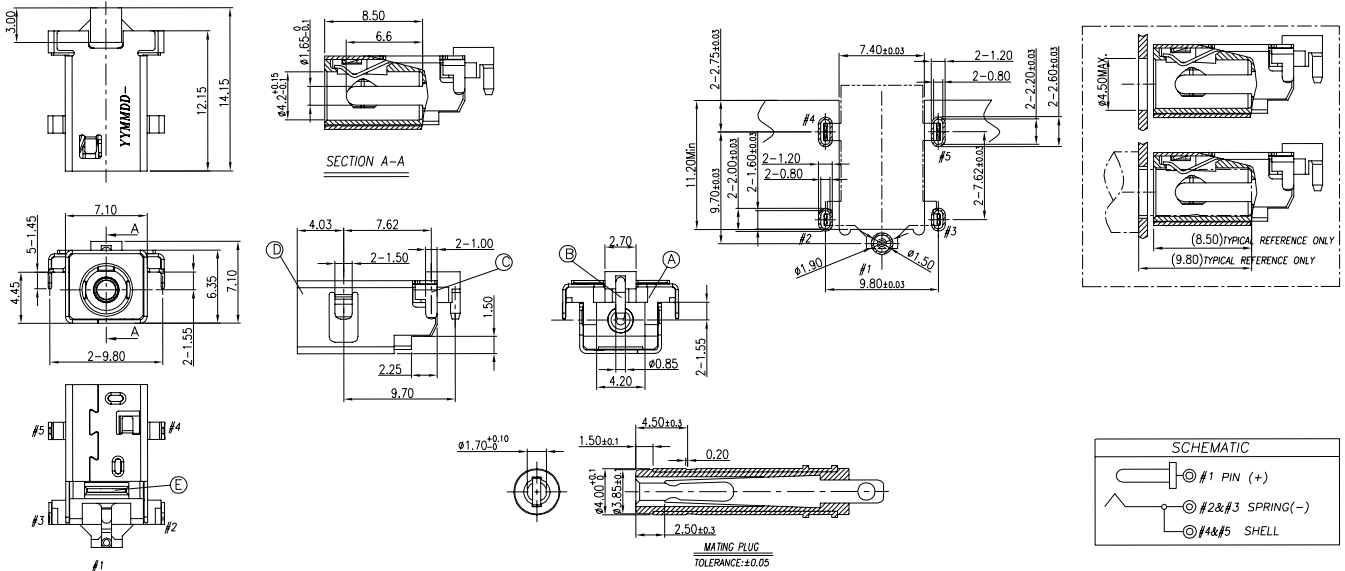
**RoHS  
Compliant**



## Specifications

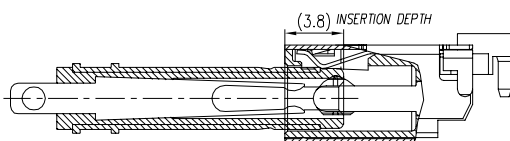
Rating	: 25V DC/5.7A Max.
Contact Resistance	: 30mΩ Max.
Dielectric Withstanding Voltage	: 500V DC for One Minute
Insulation Resistance	: 100MΩ Min. Measured by 500V DC
Insertion Force	: 2.0 kgf Max.
Withdrawal Force	: 0.7 kgf Min.
Life Test	: 10,000 Cycles

## Diagram

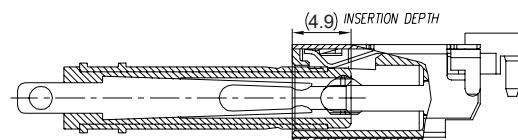


No.	Description	Material	Plating and Colour	Qty.
A	Body	High Temp. Thermoplastic	Black	1
B	Pin	Brass	Gold Flash Over Ni 50μ"	
C	Spring (-)	Copper Alloy 0.25T	Matte Sn 100μ" Min., Over Ni 50μ" Min.	
D	Shell	Stainless 0.30T	Ni 60μ" Min.	
E	Terminal		NA	

### 1. Negative Contact First



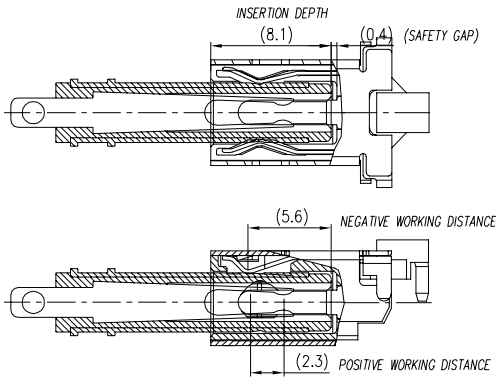
### 2. Positive Contact



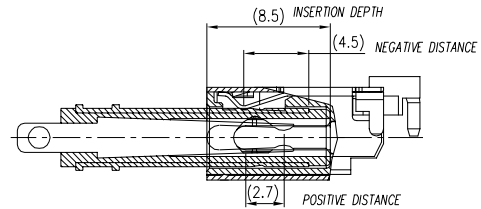
Dimensions : Millimetres

Newark.com/multicomp-pro  
Farnell.com/multicomp-pro  
sg.element14.com/b/multicomp-pro

### 3. Lock Position



### 4. Full Insertion



### Part Number Table

Description	Part Number
DC Power Jack, R/A, PCB, 1.7mm×4mm, Mid-Mount	MP014753

Dimensions : Millimetres

**Important Notice :** This data sheet and its contents (the "Information") belong to the members of the AVNET group of companies (the "Group") or are licensed to it. No licence is granted for the use of it other than for information purposes in connection with the products to which it relates. No licence of any intellectual property rights is granted. The Information is subject to change without notice and replaces all data sheets previously supplied. The Information supplied is believed to be accurate but the Group assumes no responsibility for its accuracy or completeness, any error in or omission from it or for any use made of it. Users of this data sheet should check for themselves the Information and the suitability of the products for their purpose and not make any assumptions based on information included or omitted. Liability for loss or damage resulting from any reliance on the Information or use of it (including liability resulting from negligence or where the Group was aware of the possibility of such loss or damage arising) is excluded. This will not operate to limit or restrict the Group's liability for death or personal injury resulting from its negligence. Multicomp Pro is the registered trademark of Premier Farnell Limited 2019.