

# DC Power Jack Connector

# multicomp PRO

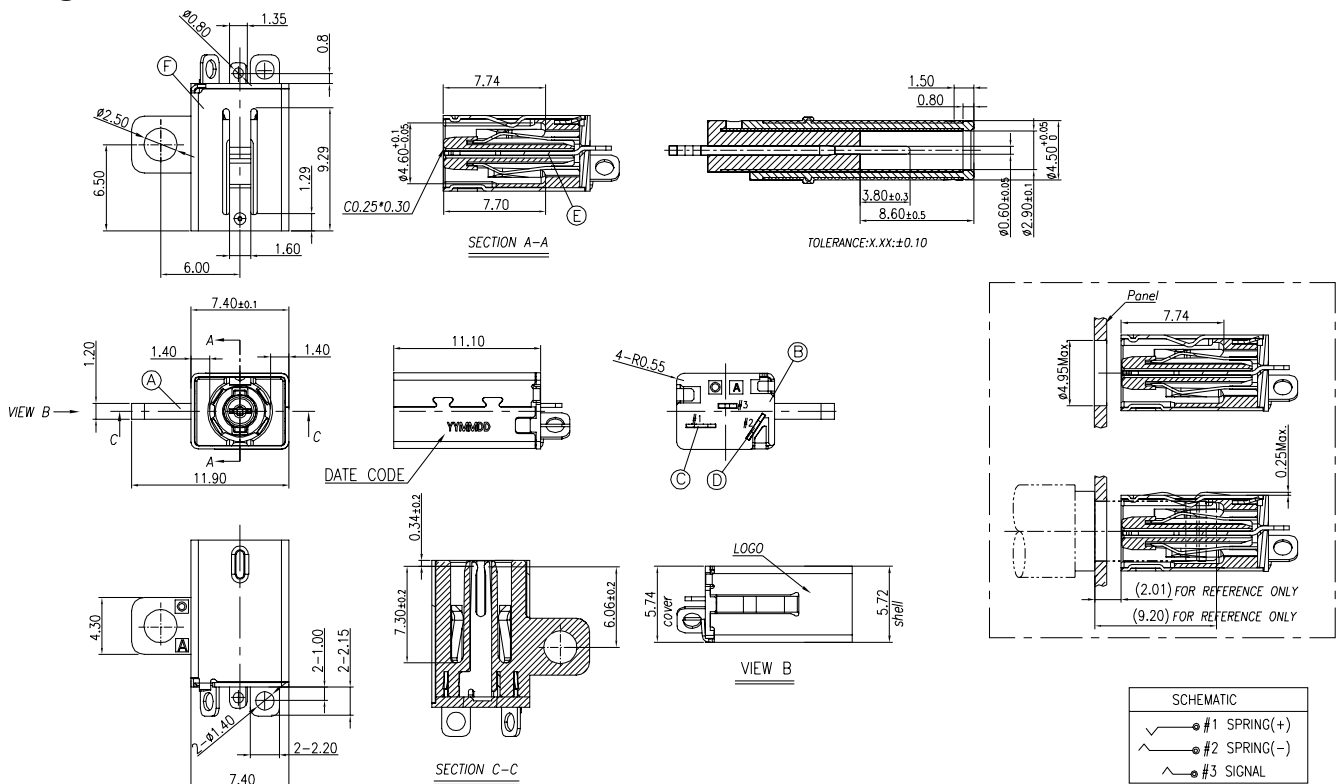
**RoHS  
Compliant**



## Specifications

|                                 |  |
|---------------------------------|--|
| Rating                          | : 20V DC/7A Max.   |
| Contact Resistance              | : 30mΩ Max.  |
| Dielectric Withstanding Voltage | : 500V DC for One Minute   |
| Insulation Resistance           | : 100MΩ Min. Measured by 500V DC   |
| Insertion Force                 | : 2.0 kgf Max.   |
| Withdrawal Force                | : 0.7 ~ 2.0 kgf (Initial)<br>0.6 ~ 2.0 kgf (After 5000)<br>0.5 ~ 2.0 kgf (After 15000) |
| Life Test                       | : 15,000 Cycles  |

## Diagram



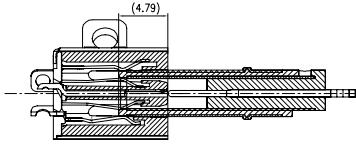
| No. | Description | Material                                | Plating and Colour  | Qty. |
|-----|-------------|---|---|------|
| A   | Body        | High Temp. Thermoplastic (halogen free) | Black   | 1    |
| B   | Cover       |   |   |      |
| C   | Positive    | Copper Alloy 0.2T                       | Matte Sn 120μ" over Ni 60μ"   |      |
| D   | Negative    | Copper Alloy 0.25T                      |   |      |
| E   | Signal      | Copper Alloy 0.30T                      | Au 1μ" on contact area; matte Sn 120μ" on solder tail; all over Ni 60μ" |      |
| F   | Shell       | Stainless Steel 0.25T                   | Ni 60μ"   |      |

Dimensions : Millimetres

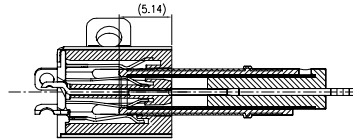
Newark.com/multicomp-pro  
Farnell.com/multicomp-pro  
sg.element14.com/b/multicomp-pro

# multicomp PRO

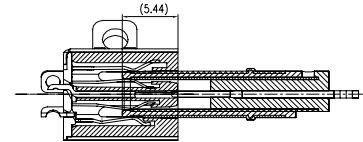
## 1. Negative Contact First



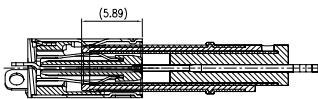
## 2. Positive Contact



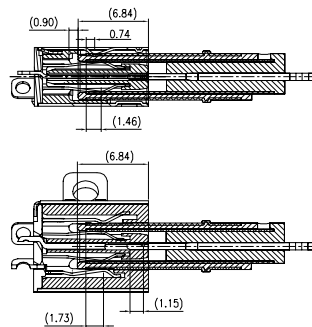
## 3. Signal Contact



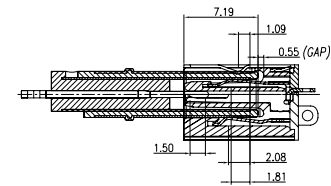
## 4. Shell Contact



## 5. Lock Position



## 6. Full Insertion



## Part Number Table

| Description                                   | Part Number |
|---|-------------|
| DC Power Jack, Cable Mount, 0.6mm×2.9mm×4.5mm | MP014761    |

Dimensions : Millimetres

**Important Notice :** This data sheet and its contents (the "Information") belong to the members of the AVNET group of companies (the "Group") or are licensed to it. No licence is granted for the use of it other than for information purposes in connection with the products to which it relates. No licence of any intellectual property rights is granted. The Information is subject to change without notice and replaces all data sheets previously supplied. The Information supplied is believed to be accurate but the Group assumes no responsibility for its accuracy or completeness, any error in or omission from it or for any use made of it. Users of this data sheet should check for themselves the Information and the suitability of the products for their purpose and not make any assumptions based on information included or omitted. Liability for loss or damage resulting from any reliance on the Information or use of it (including liability resulting from negligence or where the Group was aware of the possibility of such loss or damage arising) is excluded. This will not operate to limit or restrict the Group's liability for death or personal injury resulting from its negligence. Multicomp Pro is the registered trademark of Premier Farnell Limited 2019.