

3.5mm Audio Jack Connector **multicomp** PRO

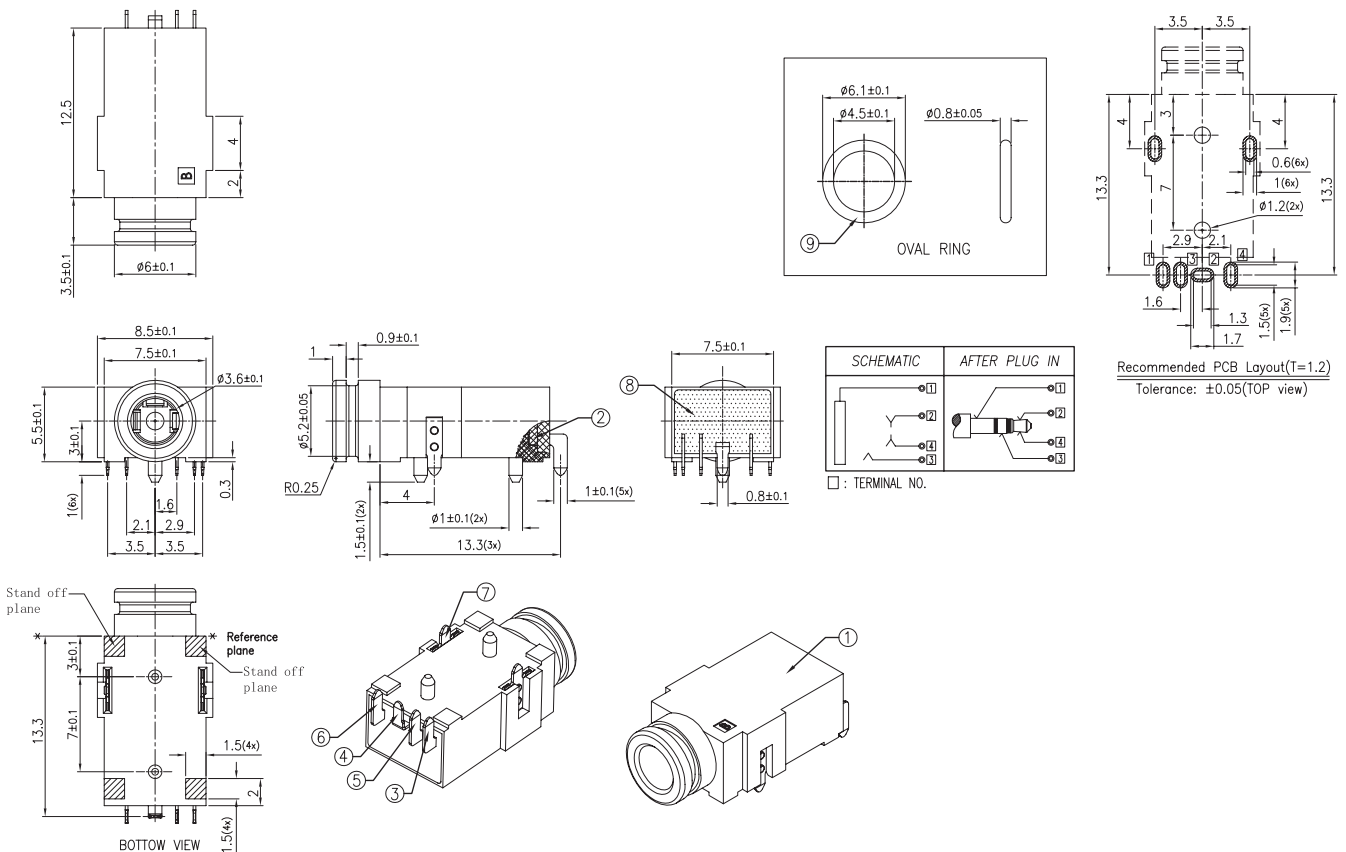
**RoHS
Compliant**

Specifications



Rating	: 12V, 1A
Contact Resistance	: 30mΩ or less
Voltage Proof	: 500V AC for One Minute
Durability	: 5,000 Insertion / Extraction Cycles
Insertion Force	: 3.0 kg Max.
Withdrawal Force	: 0.3 kg Min.
Water Proof	: This product is based on IPX7 (1m, 30min)
Using Plug	: Ø3.5mm, 3-Pole Stereo
Oval Ring	
Hardness of Silicone Rubber	: 70 Deg.
Horizontal Flash	: 0.1mm Max.
Longitudinal Flash	: 0.1mm Max.

Diagram



Dimensions : Millimetres

Newark.com/multicomp-pro
Farnell.com/multicomp-pro
sg.element14.com/b/multicomp-pro

multicomp PRO

3.5mm Audio Jack Connector **multicomp** PRO

No.	Part Name	Terminal	Material	Remark	Qty
1	Housing	-	PA9T+33% GF (GN2330)	UL-94V-0	1
2	Cover	-			
3	Earth Spring	1	C5210R-EH T=0.2	Matte Sn 80 μ " Min.; Ni 40 μ " Min. underplate	
4	Tip Spring-1	2			
5	Ring Spring	3			
6	Tip Spring-2	4			
7	Terminal	-	C2680R-H T=0.2		
8	Bond	-	Epoxy	-	
9	Oval Ring	-	Silicone	Green	

Part Number Table

Description	Part Number
3.5mm Audio Jack, DIP, IPX7	MP014718

Important Notice : This data sheet and its contents (the "Information") belong to the members of the AVNET group of companies (the "Group") or are licensed to it. No licence is granted for the use of it other than for information purposes in connection with the products to which it relates. No licence of any intellectual property rights is granted. The Information is subject to change without notice and replaces all data sheets previously supplied. The Information supplied is believed to be accurate but the Group assumes no responsibility for its accuracy or completeness, any error in or omission from it or for any use made of it. Users of this data sheet should check for themselves the Information and the suitability of the products for their purpose and not make any assumptions based on information included or omitted. Liability for loss or damage resulting from any reliance on the Information or use of it (including liability resulting from negligence or where the Group was aware of the possibility of such loss or damage arising) is excluded. This will not operate to limit or restrict the Group's liability for death or personal injury resulting from its negligence. Multicomp Pro is the registered trademark of Premier Farnell Limited 2019.

Newark.com/multicomp-pro
 Farnell.com/multicomp-pro
 sg.element14.com/b/multicomp-pro

multicomp PRO