

3.5mm Audio Jack Connector **multicomp** PRO

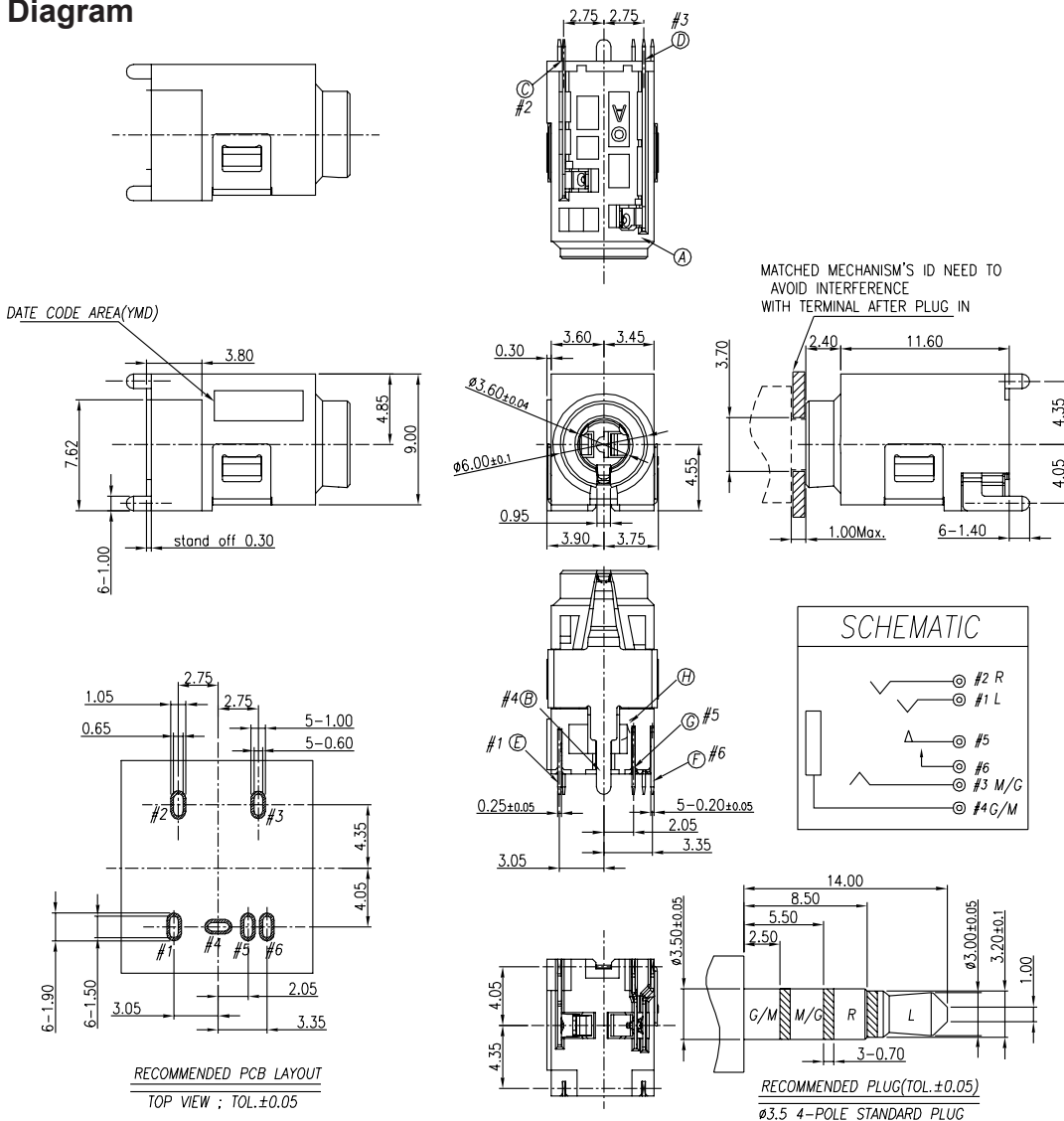
**RoHS
Compliant**



Specifications

Rating	: 12V/1A
Contact Resistance	: 50mΩ Max. (Initial)
Dielectric withstanding Voltage	: 500V AC for one Minute
Insulation Resistance	: 100MΩ Min. Measured by 500V DC
Insertion Force	: 0.5 ~ 3.0kgf
Withdrawal Force	: 0.5 ~ 3.0kgf
Life Test	: 5,000 Cycles Min.
Contact Resistance	: 100mΩ Max. (after life test)
Insulation Resistance	: 50MΩ Min.(after humidity test)

Diagram



Dimensions : Millimetres

Newark.com/multicomp-pro
Farnell.com/multicomp-pro
sg.element14.com/b/multicomp-pro

multicomp PRO

3.5mm Audio Jack Connector **multicomp** PRO

No.	Description	Material	Plating and Colour	Qty
A	Body	High Temperature Plastic UL94V-0	Black	1
B	Earth	Phoshor Bronze 0.2T	Gold Flash on contact area; Gold Flash on solder Tail All over 50µ" Nickel	
C	Ring A			
D	Ring B			
E	Tip Spring	Stainless Steel 0.25T		
F	Make Terminal	Phoshor Bronze 0.2T		
G	Transfer Terminal			
H	Separator	High Temperature Plastic UL94V-0		

Part Number Table

Description	Part Number
3.5mm Audio Jack, DIP Vertical	MP014740

Important Notice : This data sheet and its contents (the "Information") belong to the members of the AVNET group of companies (the "Group") or are licensed to it. No licence is granted for the use of it other than for information purposes in connection with the products to which it relates. No licence of any intellectual property rights is granted. The Information is subject to change without notice and replaces all data sheets previously supplied. The Information supplied is believed to be accurate but the Group assumes no responsibility for its accuracy or completeness, any error in or omission from it or for any use made of it. Users of this data sheet should check for themselves the Information and the suitability of the products for their purpose and not make any assumptions based on information included or omitted. Liability for loss or damage resulting from any reliance on the Information or use of it (including liability resulting from negligence or where the Group was aware of the possibility of such loss or damage arising) is excluded. This will not operate to limit or restrict the Group's liability for death or personal injury resulting from its negligence. Multicomp Pro is the registered trademark of Premier Farnell Limited 2019.

Newark.com/multicomp-pro
Farnell.com/multicomp-pro
sg.element14.com/b/multicomp-pro

multicomp PRO