

Round Magnetic Connector Cable Assembly **multicomp** PRO

RoHS
Compliant



Specification

Electrical

Current Rate : 2A

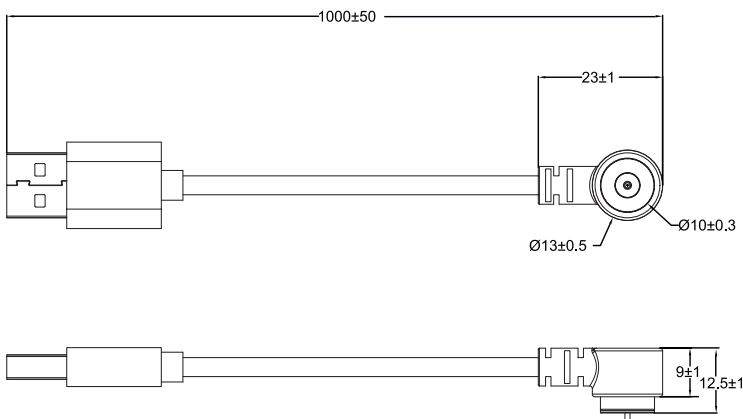
Mechemical

Working Stroke : 1.5mm
Durability : 10,000 cycles
Spring force : $110 \pm 30\%$ gf

Material

Plunger : Brass C3604, 3u" gold Plating
Barrel : Brass C3604, 3u" gold Plating
Spring : SUS304
Housing : PA46 + 30%GF
Magnet : NdFeB
Metal Shell : Brass C3604, Ni

Diagram



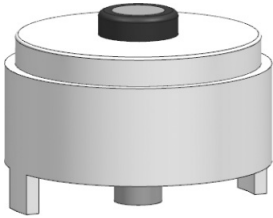
Dimensions : Millimetres

Newark.com/multicomp-pro
Farnell.com/multicomp-pro
sg.element14.com/b/multicomp-pro

multicomp PRO

Round Magnetic Connector Cable Assembly **multicomp** PRO

Mating Part



Specification

Electrical

Current Rate : 2A

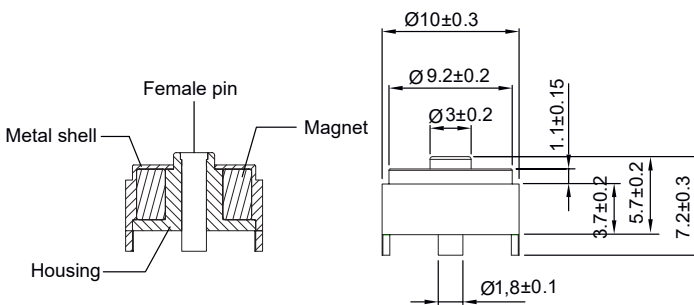
Mechemical

Working Stroke : 1.5mm

Durability : 10,000 cycles

Spring force : 50 ±20 gf

Diagram



Part Number Table

Description	Part Number
Magnetic Connector Cable with USB-A, 2A, 1m	MP014787
Magnet Connector Cable with USB-A And Mating Part, 2A, 1m	MP014789

Dimensions : Millimetres

Important Notice : This data sheet and its contents (the "Information") belong to the members of the AVNET group of companies (the "Group") or are licensed to it. No licence is granted for the use of it other than for information purposes in connection with the products to which it relates. No licence of any intellectual property rights is granted. The Information is subject to change without notice and replaces all data sheets previously supplied. The Information supplied is believed to be accurate but the Group assumes no responsibility for its accuracy or completeness, any error in or omission from it or for any use made of it. Users of this data sheet should check for themselves the Information and the suitability of the products for their purpose and not make any assumptions based on information included or omitted. Liability for loss or damage resulting from any reliance on the Information or use of it (including liability resulting from negligence or where the Group was aware of the possibility of such loss or damage arising) is excluded. This will not operate to limit or restrict the Group's liability for death or personal injury resulting from its negligence. Multicomp Pro is the registered trademark of Premier Farnell Limited 2019.

Newark.com/multicomp-pro
 Farnell.com/multicomp-pro
 sg.element14.com/b/multicomp-pro

multicomp PRO