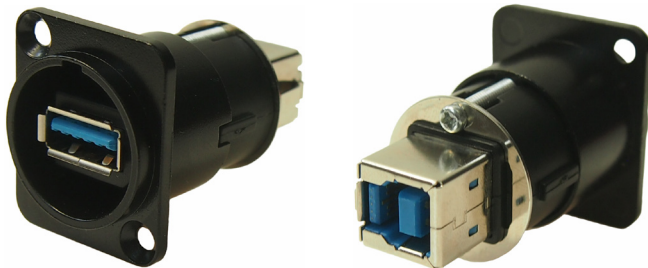


USB 3.0 Adapter

multicomp PRO

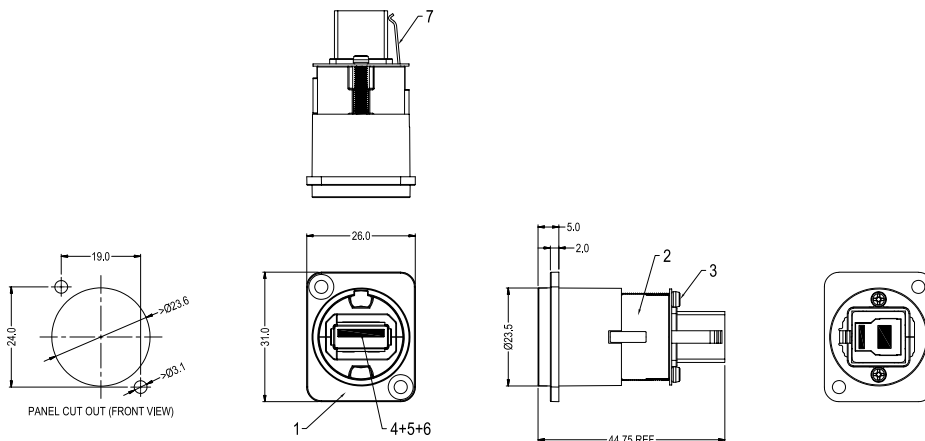
**RoHS
Compliant**



Specifications

Contact Resistance	: ≤ 30mΩ
Dielectric Strength	: 500V AC
Insulation Resistance	: 10500MΩ
Operating Temperature	: -25°C to +85°C
Rated Current	: 1.5A
Rated Voltage	: 30V
Lifetime	: >1500 mating cycles

Diagram



Item	Description	Material	Finish
1	XLRFT Frame	Zinc Diecast	Black
2	PCB Cover (2x)	ABS	Black
3	Screws (2x)	Steel	Nickel
4	USB Connector	PBT	Blue
5	USB Contacts	Brass	Gold
6	USB Shield	Brass	Nickel
7	Ground Contact	Brass	Tin

Part Number Table

Description	Part Number
Feed Through USB 3.0, XLR, A-B Female, Metal	MP-CP30108

Dimensions : Millimetres

Important Notice : This data sheet and its contents (the "Information") belong to the members of the AVNET group of companies (the "Group") or are licensed to it. No licence is granted for the use of it other than for information purposes in connection with the products to which it relates. No licence of any intellectual property rights is granted. The Information is subject to change without notice and replaces all data sheets previously supplied. The Information supplied is believed to be accurate but the Group assumes no responsibility for its accuracy or completeness, any error in or omission from it or for any use made of it. Users of this data sheet should check for themselves the Information and the suitability of the products for their purpose and not make any assumptions based on information included or omitted. Liability for loss or damage resulting from any reliance on the Information or use of it (including liability resulting from negligence or where the Group was aware of the possibility of such loss or damage arising) is excluded. This will not operate to limit or restrict the Group's liability for death or personal injury resulting from its negligence. Multicomp Pro is the registered trademark of Premier Farnell Limited 2019.

Newark.com/multicomp-pro
Farnell.com/multicomp-pro
sg.element14.com/b/multicomp-pro

multicomp PRO