

M6 Cage Nut Set



Cage Nut Set (CageNut4PT, CageNut50PT)

Features

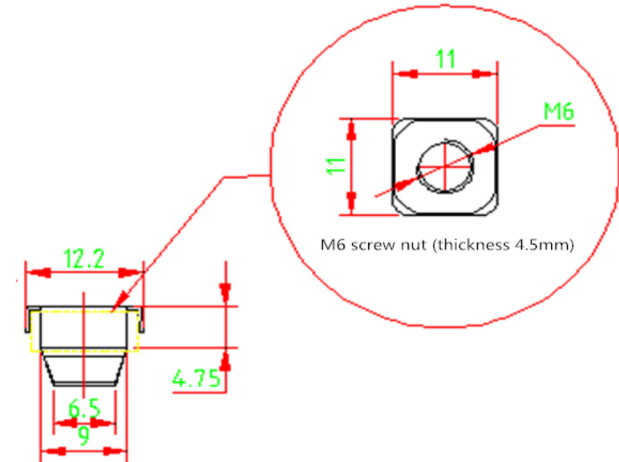
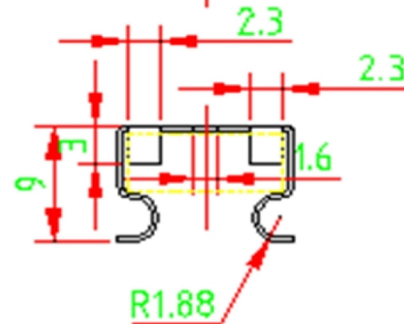
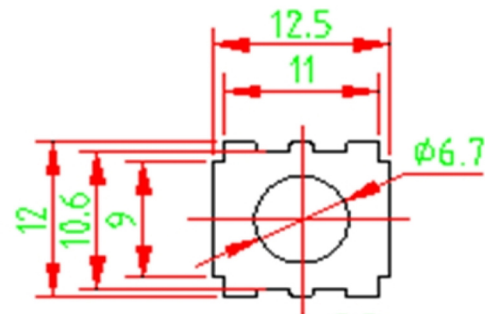
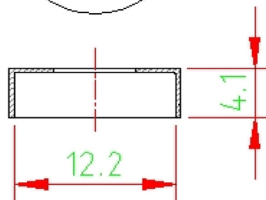
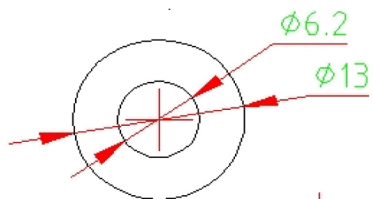
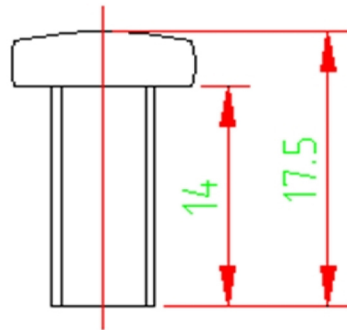
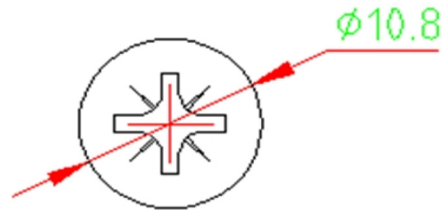
- Thread: M6
- “Pozidriv” type screw head
- Scratch resistant
- Offered in bags of 4 sets and 50 sets

Specifications

- Weight:
 - CageNut4PT: 36g approx.
 - CageNut50PT: 414g approx
- Colour: Silver
- Materials:
 - Cage nut and screw: Zinc-plated steel
 - Washer: ABS

ROHS Compliant

Code: CageNut4PT
CageNut50PT



Materials:
Cage nut and screw: Steel
Washer: ABS