

## M6 Cage Nut Set



### **Cage Nut Set (CageNut4PT, CageNut50PT)**

#### **Features**

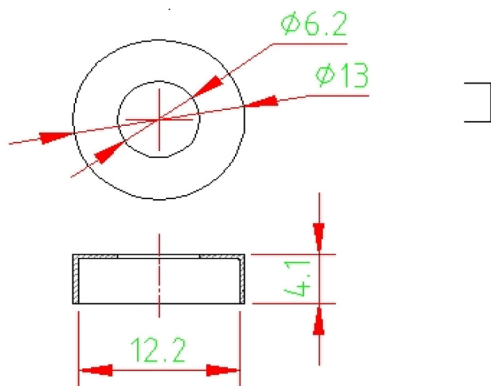
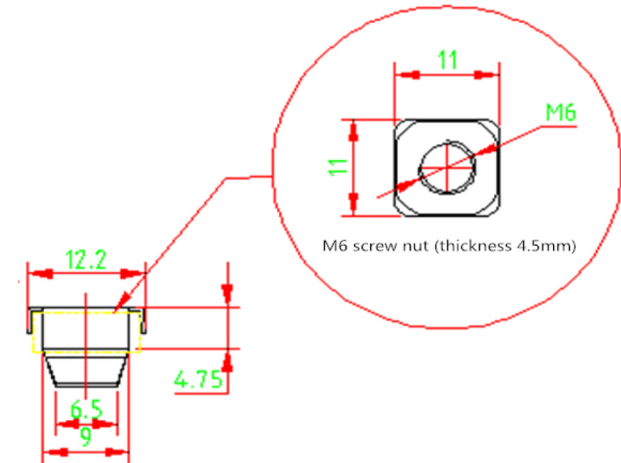
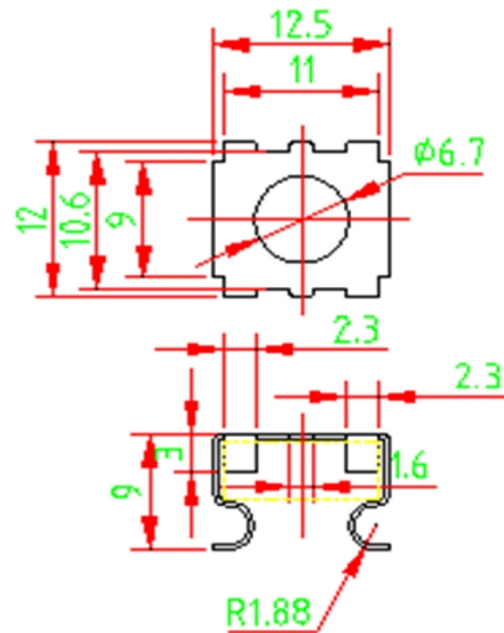
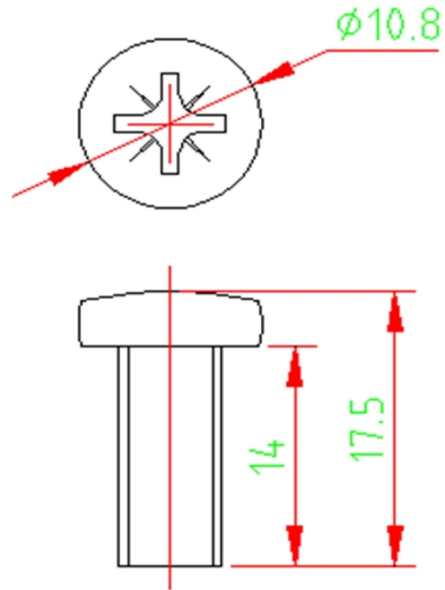
- Thread: M6
- “Pozidriv” type screw head
- Scratch resistant
- Offered in bags of 4 sets and 50 sets

#### **Specifications**

- Weight:
  - CageNut4PT: 36g approx.
  - CageNut50PT: 414g approx
- Colour: Silver
- Materials:
  - Cage nut and screw: Zinc-plated steel
  - Washer: ABS

ROHS Compliant

**Code: CageNut4PT**  
**CageNut50PT**



Materials:  
Cage nut and screw: Steel  
Washer: ABS