



TAOGLAS®



Datasheet

CAB.0243

Description:

IPEX MHFI(U.FL comp) to SMA(F)BKST. 150mm 1.13 cable

Features:

Cable: 1.13mm

Overall Length: 150mm

End A: IPEX MHFI(U.FL comp)

End B: SMA(F)BKST

RoHS & Reach Compliant

1. Introduction	3
2. Cable Specifications	4
3. Mechanical Drawing	6

Taoglas makes no warranties based on the accuracy or completeness of the contents of this document and reserves the right to make changes to specifications and product descriptions at any time without notice. Taoglas reserves all rights to this document and the information contained herein.

Reproduction, use or disclosure to third parties without express permission is strictly prohibited.



1. Introduction

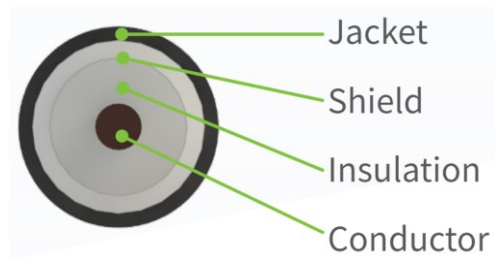


The Taoglas CAB.0243 is an 1.13mm cable with IPEX MHFI(U.FL comp) and SMA(F)BKST. As one of a great range of Taoglas' standard cables the CAB.0243 is ideal for use by worldwide RF professionals. Taoglas also offers a 95mm version (CAB.011) and a 100mm version (CAB.697) as a standard cable length for this configuration and custom cables through our Cable and Connector Division ([Cable Builder](#)). When a custom cable is required, this is the perfect tool for building your own cable variant.

Taoglas provides customized length and connector variants subject to MOQ. Contact your regional Taoglas customer support team for further details.

2. Cable Specifications – 1.13mm

2.1 Cross Section



2.2 Structure and Dimensions



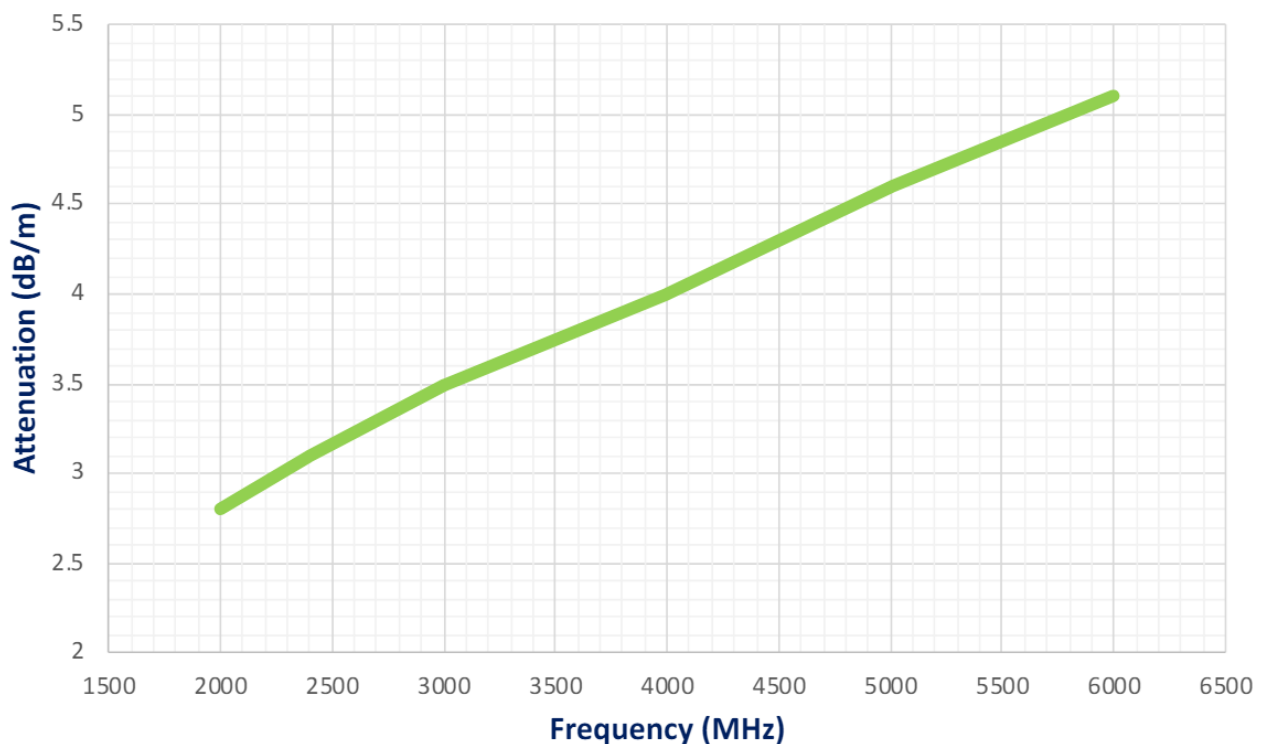
Part Designation	Material	Outer Diameter
Conductor	Silver-Coated Copper	0.24 mm
Insulation	FEP	0.68 mm
Shield	Tin-Coated Copper (≥90% coverage)	0.90 mm
Jacket	FEP	1.13 ± 0.05 mm

2.3 Cable Specifications

Mechanical	
Minimum Bend Radius	6.8mm
Cable Weight	0.003kg/m
Environmental	
Storage Temperature Range	-40°C to 85°C
Operating Temperature Range	-60°C to 200°C

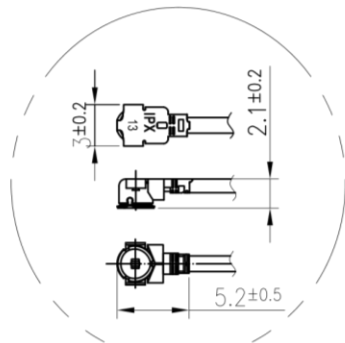
Electrical	
Impedance	50Ω
Capacitance	96 ± 3 pF/m

Attenuation vs. Frequency

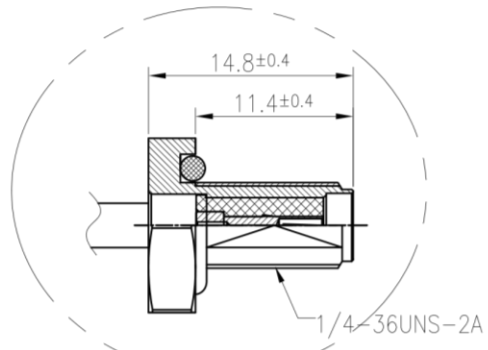


Frequency (MHz)	2000	2400	3000	4000	5000	6000
Attenuation (dB/m)	2.8	3.1	3.5	4	4.6	5.1

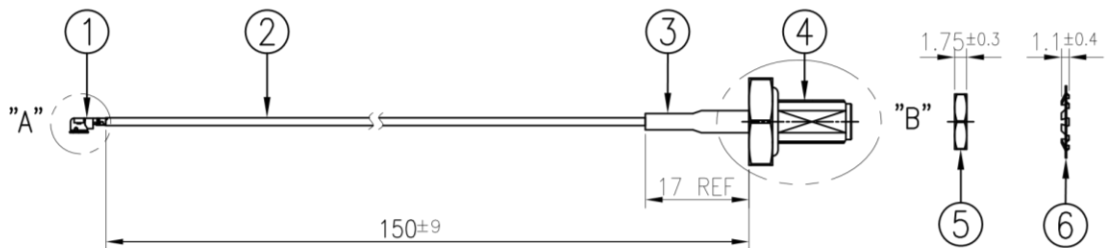
3. Mechanical Drawing (Units: mm)



Detail A
Scale:2:1



Detail B
Scale:2:1



	Name	P/N	Material	Finish	QTY
1	IPEX MHF1	204111G000002A	Brass	Au Plated	1
2	1.13 Coaxial Cable	300515C010000A	FEP	Black	1
3	Heat Shrink Tube	001315C000000A	PE	Black	1
4	SMA(F)BKST	200417A010002A	Brass	Au Plated	1
5	Washer	200417A010002A	Brass	Au Plated	1
6	Nut	200417A010002A	Brass	Au Plated	1

Changelog for the datasheet

SPE-24-8-147 – CAB.0243

Revision: A (Original First Release)	
Date:	2024-06-25
Notes:	
Author:	Cesar Sousa

Previous Revisions

<table border="1"> <tr> <td colspan="2">Revision:</td> </tr> <tr> <td>Date:</td> <td></td> </tr> <tr> <td>Changes:</td> <td></td> </tr> <tr> <td>Changes Made by:</td> <td></td> </tr> </table>	Revision:		Date:		Changes:		Changes Made by:		
Revision:									
Date:									
Changes:									
Changes Made by:									



www.taoglas.com

