



TAOGLAS®



Datasheet

Part No:
MMB.A.MA85X

Description

Magnetic Mount Bracket for Colosseum Series

Features:

Magnetic Mount
Dimensions: 99.8 x 25mm
RoHS & REACH Compliant

1.	Introduction	2
2.	Specification	2
3.	Mechanical Drawing	4
4.	Packaging	5
<hr/>		
	Changelog	6

Taoglas makes no warranties based on the accuracy or completeness of the contents of this document and reserves the right to make changes to specifications and product descriptions at any time without notice. Taoglas reserves all rights to this document and the information contained herein. Reproduction, use or disclosure to third parties without express permission is strictly prohibited.

Ireland & USA
ISO 9001:2015
Certified



Taiwan
ISO 9001:2015
Certified

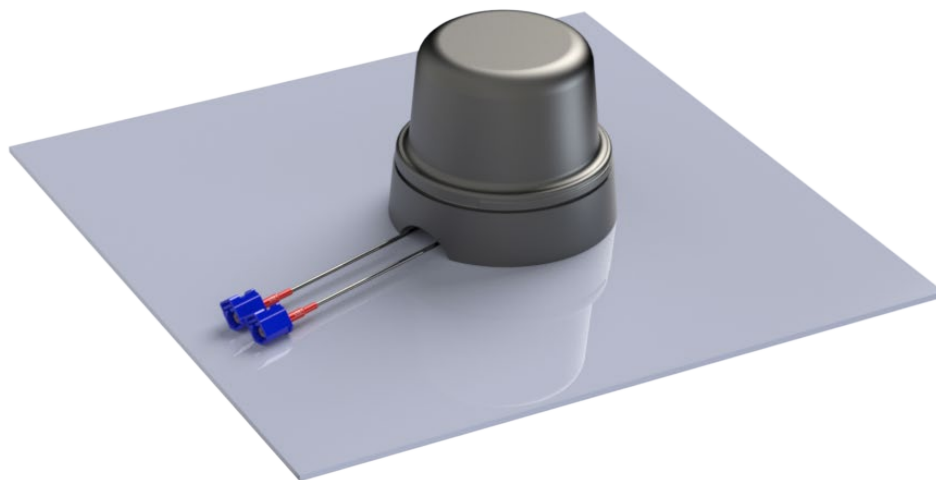


1. Introduction



The Taoglas MMB.A.MA85X is a robust magnetic mount bracket, designed for secure installation of the Colosseum Series where the magnetic mounting is the preferred method of mounting the antenna. All Taoglas Colosseum Series of products can be used with this bracket allowing it to be mounted on flat. The product is available in both Black and White to suit all standard Taoglas Guardian products.

Contact your regional Taoglas customer support team for further information.

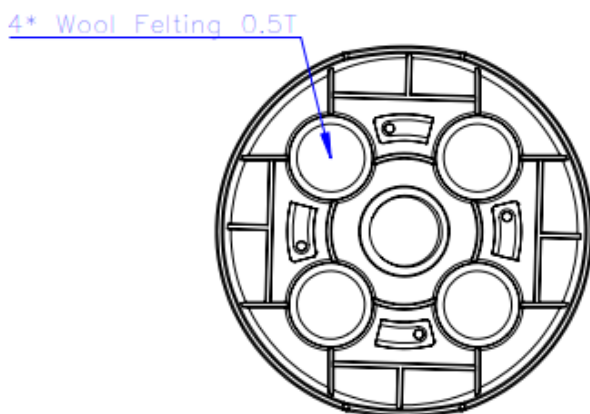
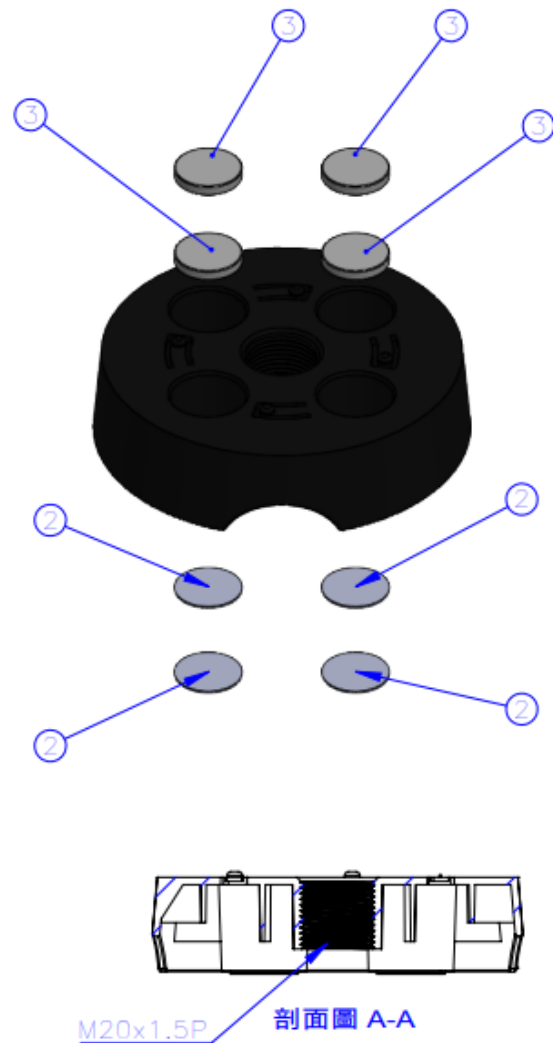
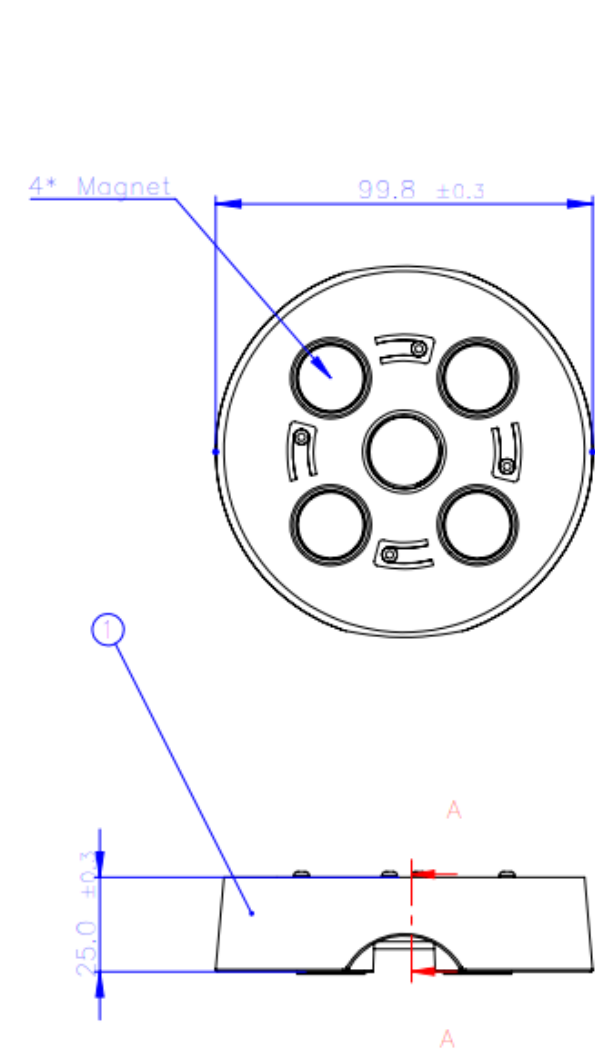


2. Specification

Mechanical	
Dimensions	99.8 x 25mm
Material	Magnetic Base: ASA Wool Felting: wool Wall Mount Studs: NdFeB
Bracket weight	72g

Environmental	
Operation Temperature	-40°C ~ +85°C
Storage Temperature	-40°C ~ +85°C

3. Mechanical Drawing



Name	P/N	Material	Finish	Qty
1 Magnetic Base	PRT.000368	ASA	Black	1
2 Wool Felting	PRT.001018	Wool	Black	4
3 N48 Magnet	000915H000000A	NdFeB	Ni Plated	4

APPROVED BY: Chozen	<p>TAOGLAS. TW Design Centre</p> <p><small>This drawing is Taoglas Confidential information and its inherent design concepts are property of Taoglas. This is not to be copied or shared with third parties without the prior written consent of Taoglas.</small></p>			
CHECK BY: Aaron				
DRAWN BY: Aaron	TITLE : Magnetic Mount Bracket for Collosseum Series			
DATE: 2024/04/16	PART NO. MMB.A.MA85X			
UNLESS OTHERWISE SPECIFIED TOLERANCES ON:	XX±0.5	XX±0.3	XX±0.2	XX±0.1
	XXX±0.05			
THIRD ANGLE PROJECTION		UNIT: mm	SCALE: 1:2	PAGES: 1/1
				REV. D01

4. Packaging



- 1 PCS / Bubble bag
- Bubble bag (mm): 130x160 (Ref)
- Weight (kg): 0.07 ±3%
- SPQ Label



- 80 PCS / Carton
- Carton(mm): 400x330x220
- Weight (kg): 6.6 ±3%
- Carton Label

Changelog for the datasheet

SPE-24-8-177 – MMB.A.MA85X

Revision: A (Initial Release)

Date:	2024-08-02
Changes:	Initial Release
Changes Made by:	Conor McGrath

Previous Revisions



www.taoglas.com

