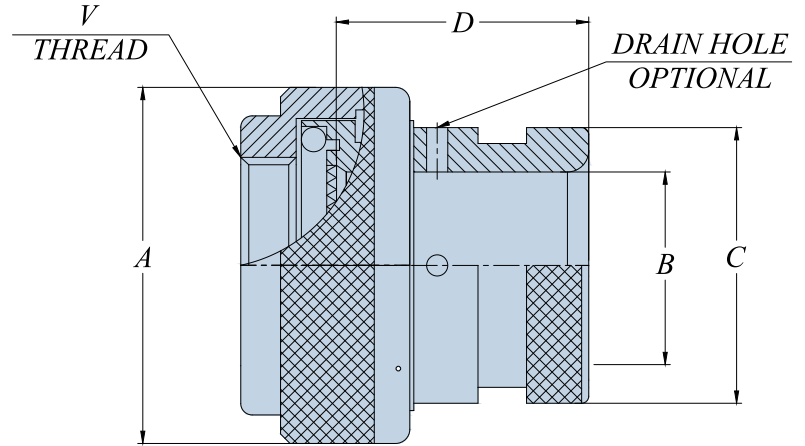


AS85049/69 Straight Shrink Boot Adapter

Connector Group : L

FOR MIL-DTL-38999 Series III&IV



REQUIREMENTS

1. All requirements shall consist of this document and the latest issue of AS85049.
2. Interface dimensions: shall conform to AS85049,
3. Material and finish: in accordance with AS85049
4. Dimensions are in inches and apply after plating.

PART NUMBERING

M85049/69-11WD

M85049/69-	11	W	D
BASIC PART NUMBER	Shell Size Refer Table-1 (09 to 25)	(Material and Finish Designator) N = Aluminum, Electroless Nickel W = Aluminum, Cadmium Olive Drab A = Aluminum, Black Anodize Z = Aluminum, Zinc Nickel Black	D - DRAIN HOLES OPTION (OMIT FOR NONE)

TABLE-1 : SHELL SIZE AND DIMENSIONS FOR AS85049/69 SERIES.

SHELL SIZE	V THREAD CLASS -2B	ØA MAX		ØB MIN		ØC MAX		D MAX	
		INCH	MM	INCH	MM	INCH	MM	INCH	MM
9	M12X1.0-6H	0.750	19.05	0.250	6.35	0.533	13.54	0.710	18.03
11	M15X1.0-6H	0.850	21.59	0.375	9.53	0.605	15.37	0.710	18.03
13	M18X1.0-6H	1.000	25.40	0.500	12.70	0.774	19.66	0.710	18.03
15	M22X1.0-6H	1.150	29.21	0.625	15.88	0.838	21.29	0.710	18.03
17	M25X1.0-6H	1.250	31.75	0.750	19.05	0.963	24.46	0.710	18.03
19	M28X1.0-6H	1.400	35.56	0.812	20.62	1.042	26.47	0.710	18.03
21	M31X1.0-6H	1.550	39.37	0.937	23.80	1.217	30.91	0.710	18.03
23	M34X1.0-6H	1.650	41.91	1.062	26.97	1.355	34.42	0.710	18.03
25	M37X1.0-6H	1.850	46.99	1.188	30.18	1.443	36.65	0.710	18.03