

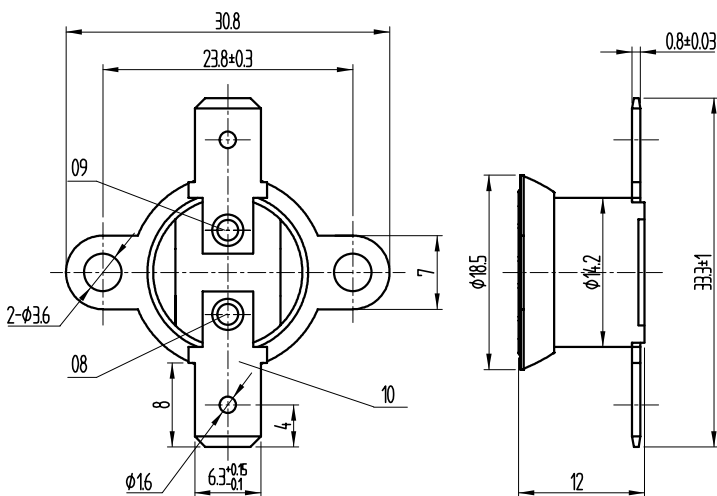
**RoHS
Compliant**



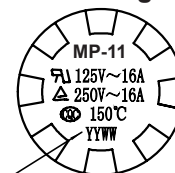
Specifications

| | |
|------------------------------|--|
| Resistance Between Terminals | : Below 50mΩ at DC5V/0.25A (initial number) |
| Insulated Resistance | : Above 100MΩ with DC500V between Terminals and Cap |
| Maximum Temperature | : +170°C |
| Standards According | : GB14536. 1-2008, GB14536. 10-2008, GB/T22687-2008, UL60730, EN60730-1, EN60730-2-9 |
| Terminals | : Quick Connect Horizontal |

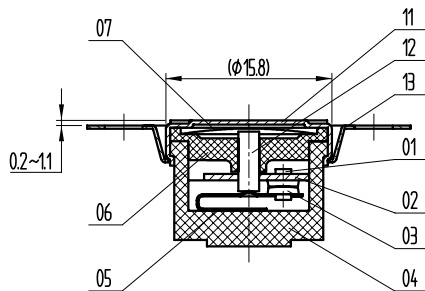
Diagram



Marking



Date Code:
(22: 2022 year; WW: No. ** week)



| No. | Part Name | Material | Qty. | |
|-----|--------------------|-----------------------|------|---|
| 1 | Stationary Contact | AgNi/Cu (T2) | 1 | |
| 2 | Stationary arm | Brass | | |
| 3 | Movable Contact | AgNi/Cu (T2) | | |
| 4 | Case | PF | | |
| 5 | Movable arm | Alloy Copper | | |
| 6 | Top Cover | PF | | |
| 7 | Bimetal Disc | Bimetal | | |
| 8 | Short Rivet | Steel (Tin Plated) | | |
| 9 | Long Rivet | Steel (Tin Plated) | | |
| 10 | Terminal | Brass (Nickel Plated) | | 2 |
| 11 | Cap | Aluminium | | 1 |
| 12 | Actuator Pin | Ceramic | | |
| 13 | Flange | SUS430 | | |

Tolerance if not specified

| Dimension | 0 to 9 | 9.1 to 16 | 16.1 to 30 | >30 |
|-----------|--------|-----------|------------|------|
| Tolerance | ±0.2 | ±0.3 | ±0.4 | ±0.5 |

Dimensions : Millimetres

Part Number Table

| Description | Type | Temperature | | Part Number |
|----------------------------|-----------------|-------------------|---------------------------|---------------------------|
| Automatic Reset Thermostat | N/C | Set 15°C ±3°C | Reset 5°C ±3°C | MP-11-15/5/E121B14H221 |
| | N/C | Set 20°C ±3°C | Reset 10°C ±3°C | MP-11-20/10/E121B14H221 |
| | N/C | Set 30°C ±3°C | Reset 20°C ±4°C | MP-11-30/20/E121B14H221 |
| | N/C | Set 40°C ±3°C | Reset 25°C ±5°C | MP-11-40/25/E121B14H221 |
| | N/C | Set 50°C ±3°C | Reset 35°C ±5°C | MP-11-50/35/E121B14H221 |
| | N/C | Set 60°C ±3°C | Reset 45°C ±4°C | MP-11-60/45/E121B14H221 |
| | N/C | Set 70°C ±3°C | Reset 55°C ±5°C | MP-11-70/55/E121B14H221 |
| | N/C | Set 80°C ±3°C | Reset 65°C ±5°C | MP-11-80/65/E121B14H221 |
| | N/C | Set 90°C ±3°C | Reset 75°C ±5°C | MP-11-90/75/E121B14H221 |
| | N/C | Set 100°C ±3°C | Reset 85°C ±5°C | MP-11-100/85/E121B14H221 |
| | N/C | Set 110°C ±4°C | Reset 95°C ±6°C | MP-11-110/95/E121B14H221 |
| | N/C | Set 125°C ±4°C | Reset 110°C ±6°C | MP-11-125/110/E121B14H221 |
| | N/C | Set 140°C ±4°C | Reset 120°C ±6°C | MP-11-140/120/E121B14H221 |
| | N/C | Set 150°C ±4°C | Reset 130°C ±6°C | MP-11-150/130/E121B14H221 |
| | N/C | Set 170°C ±5°C | Reset 140°C ±10°C | MP-33-170/140/E121B14H221 |
| | N/C | Set 200°C ±10°C | Reset 160°C ±15°C | MP-33-200/160/E121B14H221 |
| | N/C | Set 225°C ±10°C | Reset 175°C ±15°C | MP-33-225/175/E121B14H221 |
| N/C | Set 250°C ±10°C | Reset 200°C ±20°C | MP-33-250/200/E121B14H221 | |

Important Notice : This data sheet and its contents (the "Information") belong to the members of the AVNET group of companies (the "Group") or are licensed to it. No licence is granted for the use of it other than for information purposes in connection with the products to which it relates. No licence of any intellectual property rights is granted. The Information is subject to change without notice and replaces all data sheets previously supplied. The Information supplied is believed to be accurate but the Group assumes no responsibility for its accuracy or completeness, any error in or omission from it or for any use made of it. Users of this data sheet should check for themselves the Information and the suitability of the products for their purpose and not make any assumptions based on information included or omitted. Liability for loss or damage resulting from any reliance on the Information or use of it (including liability resulting from negligence or where the Group was aware of the possibility of such loss or damage arising) is excluded. This will not operate to limit or restrict the Group's liability for death or personal injury resulting from its negligence. Multicomp Pro is the registered trademark of Premier Farnell Limited 2019.