



CrossLink-NX-33 and CrossLinkU-NX

Data Sheet

FPGA-DS-02104-1.0

July 2024

Disclaimers

Lattice makes no warranty, representation, or guarantee regarding the accuracy of information contained in this document or the suitability of its products for any particular purpose. All information herein is provided AS IS, with all faults, and all associated risk is the responsibility entirely of the Buyer. The information provided herein is for informational purposes only and may contain technical inaccuracies or omissions, and may be otherwise rendered inaccurate for many reasons, and Lattice assumes no obligation to update or otherwise correct or revise this information. Products sold by Lattice have been subject to limited testing and it is the Buyer's responsibility to independently determine the suitability of any products and to test and verify the same. LATTICE PRODUCTS AND SERVICES ARE NOT DESIGNED, MANUFACTURED, OR TESTED FOR USE IN LIFE OR SAFETY CRITICAL SYSTEMS, HAZARDOUS ENVIRONMENTS, OR ANY OTHER ENVIRONMENTS REQUIRING FAIL-SAFE PERFORMANCE, INCLUDING ANY APPLICATION IN WHICH THE FAILURE OF THE PRODUCT OR SERVICE COULD LEAD TO DEATH, PERSONAL INJURY, SEVERE PROPERTY DAMAGE OR ENVIRONMENTAL HARM (COLLECTIVELY, "HIGH-RISK USES"). FURTHER, BUYER MUST TAKE PRUDENT STEPS TO PROTECT AGAINST PRODUCT AND SERVICE FAILURES, INCLUDING PROVIDING APPROPRIATE REDUNDANCIES, FAIL-SAFE FEATURES, AND/OR SHUT-DOWN MECHANISMS. LATTICE EXPRESSLY DISCLAIMS ANY EXPRESS OR IMPLIED WARRANTY OF FITNESS OF THE PRODUCTS OR SERVICES FOR HIGH-RISK USES. The information provided in this document is proprietary to Lattice Semiconductor, and Lattice reserves the right to make any changes to the information in this document or to any products at any time without notice.

Contents

Contents.....	3
Acronyms in This Document.....	9
1. General Description.....	10
1.1. Features.....	10
2. Architecture.....	13
2.1. Overview.....	13
2.2. PFU Blocks.....	16
2.2.1. Slice.....	16
2.2.2. Modes of Operation.....	19
2.3. Routing.....	20
2.4. Clocking Structure.....	20
2.4.1. Global PLL.....	20
2.4.2. Clock Distribution Network.....	21
2.4.3. Primary Clocks.....	22
2.4.4. Edge Clock.....	23
2.4.5. Clock Dividers.....	23
2.4.6. Clock Center Multiplexer Blocks.....	24
2.4.7. Dynamic Clock Select.....	24
2.4.8. Dynamic Clock Control.....	25
2.4.9. DDRDLL.....	25
2.5. sysMEM Memory.....	27
2.5.1. sysMEM Memory Block.....	27
2.5.2. Bus Size Matching.....	27
2.5.3. RAM Initialization and ROM Operation.....	27
2.5.4. Memory Cascading.....	27
2.5.5. Single, Dual and Pseudo-Dual Port Modes.....	28
2.5.6. Memory Output Reset.....	28
2.6. Large RAM.....	28
2.7. sysDSP.....	29
2.7.1. sysDSP Approach Compared to General DSP.....	29
2.7.2. sysDSP Architecture Features.....	30
2.8. Programmable I/O (PIO).....	32
2.9. Programmable I/O Cell (PIC).....	32
2.9.1. Input Register Block.....	33
2.9.2. Output Register Block.....	35
2.10. Tri-state Register Block.....	36
2.11. sysI/O Buffer.....	37
2.11.1. Supported sysI/O Standards.....	37
2.11.2. sysI/O Banking Scheme.....	39
2.11.3. sysI/O Buffer Configurations.....	40
2.12. IEEE 1149.1-Compliant Boundary Scan Testability.....	40
2.13. Always On (AON).....	40
2.14. USB.....	41
2.14.1. USB Hardware Architecture.....	42
2.14.1.3. Clock, Reset, Debug, and Power.....	43
2.14.2. USB RISC-V Firmware Stack and Host Software Interface.....	44
2.15. Device Configuration.....	45
2.15.1. Enhanced Configuration Options.....	45
2.16. Single Event Upset (SEU) Handling.....	46
2.17. On-Chip Oscillator.....	46
2.18. User I ² C IP.....	46
2.19. Trace ID.....	47

2.20.	Cryptographic Engine	47
3.	DC and Switching Characteristics for Commercial and Industrial.....	48
3.1.	Absolute Maximum Ratings	48
3.2.	Recommended Operating Conditions ^{1, 2, 3}	49
3.3.	Power Supply Ramp Rates ²	50
3.4.	Power up Sequence.....	50
3.5.	On-Chip Programmable Termination	50
3.6.	Hot Socketing Specifications	51
3.7.	ESD Performance.....	51
3.8.	DC Electrical Characteristics	52
3.9.	Supply Currents	53
3.10.	sys/O Recommended Operating Conditions	54
3.11.	sys/O Single-Ended DC Electrical Characteristics ³	55
3.12.	sys/O Differential DC Electrical Characteristics	57
3.12.1.	LVDS.....	57
3.12.2.	LVDS25E (Output Only).....	58
3.12.3.	SubLVDS (Input Only)	59
3.12.4.	SubLVDS/SubLVDSSE (Output Only)	59
3.12.5.	SLVS	60
3.12.6.	Soft MIPI D-PHY	61
3.12.7.	Differential HSTL15D (Output Only)	65
3.12.8.	Differential LVCMOS25D, LVCMOS33D, LVTTTL33D (Output Only)	65
3.13.	Maximum sys/O Buffer Speed.....	66
3.14.	Typical Building Block Function Performance	67
3.15.	LMMI	68
3.16.	Derating Timing Tables.....	69
3.17.	External Switching Characteristics	69
3.18.	sysCLOCK PLL Timing (V _{CC} = 1.0 V).....	77
3.19.	Internal Oscillators Characteristics.....	79
3.20.	User I ² C Characteristics	79
3.21.	sysCONFIG Port Timing Specifications.....	79
3.22.	AON Block Specifications (V _{CCAUX_AON} = 1.8V).....	85
3.23.	Hardened USB Specifications	86
3.24.	JTAG Port Timing Specifications	86
3.25.	Switching Test Conditions	87
4.	Pinout Information	89
4.1.	Signal Descriptions	89
4.2.	Pin Information Summary	94
5.	Ordering Information.....	96
5.1.	Part Number Description.....	96
5.2.	Ordering Part Numbers	96
5.2.1.	Commercial.....	96
5.2.2.	Industrial.....	96
	References	97
	Technical Support Assistance	98
	Revision History	99

Figures

Figure 2.1. LIFCL-33 Simplified Block Diagram	14
Figure 2.2. LIFCL-33U Simplified Block Diagram	15
Figure 2.3. PFU Diagram	16
Figure 2.4. Slice Diagram	17
Figure 2.5. Slice Configuration for LUT4 and LUT5	18
Figure 2.6. General Purpose PLL Diagram.....	21
Figure 2.7. Clocking.....	22
Figure 2.8. Edge Clock Sources per Bank	23
Figure 2.9. DCS_CMUX Diagram	24
Figure 2.10. DCS Waveforms	25
Figure 2.11. DLLDEL Functional Diagram	26
Figure 2.12. DDRDLL Architecture	26
Figure 2.13. Memory Core Reset	28
Figure 2.14. Comparison of General DSP, LIFCL-33, and LIFCL-33U Approaches	29
Figure 2.15. DSP Functional Block Diagram	31
Figure 2.16. Group of Two High Performance Programmable I/O Cells	32
Figure 2.17. Wide Range Programmable I/O Cells.....	33
Figure 2.18. Input Register Block for PIO on Top Side of the Device	34
Figure 2.19. Input Register Block for PIO on Bottom Side of the Device	34
Figure 2.20. Output Register Block on Top Side	35
Figure 2.21. Output Register Block on Bottom Side	35
Figure 2.22. Tri-state Register Block on Top Side	36
Figure 2.23. Tri-state Register Block on Bottom Side	36
Figure 2.24. AON Functional Block Diagram	41
Figure 2.25. USB Hard IP Functional Block Diagram	42
Figure 2.26. Typical USB Hardware Application Diagram	42
Figure 2.27. LIFCL-33U USB RISC-V Host FW Stack	44
Figure 2.28. Cryptographic Engine Block Diagram.....	47
Figure 3.1. On-Chip Termination	50
Figure 3.2. LVDS25E Output Termination Example	58
Figure 3.3. SubLVDS Input Interface	59
Figure 3.4. SubLVDS Output Interface	60
Figure 3.5. SLVS Interface	61
Figure 3.6. MIPI Interface	62
Figure 3.7. Receiver RX.CLK.Centered Waveforms	74
Figure 3.8. Receiver RX.CLK.Aligned and DDR Memory Input Waveforms.....	74
Figure 3.9. Transmit TX.CLK.Centered and DDR Memory Output Waveforms.....	75
Figure 3.10. Transmit TX.CLK.Aligned Waveforms.....	75
Figure 3.11. DDRX71 Video Timing Waveforms.....	76
Figure 3.12. Receiver DDRX71_RX Waveforms.....	76
Figure 3.13. Transmitter DDRX71_TX Waveforms.....	77
Figure 3.14. Master SPI POR/REFRESH Timing.....	81
Figure 3.15. Slave SPI/I ² C/I3C POR/REFRESH Timing	82
Figure 3.16. Master SPI PROGRAMN Timing.....	82
Figure 3.17. Slave SPI/I ² C/I3C PROGRAMN Timing	83
Figure 3.18. Master SPI Configuration Timing	83
Figure 3.19. Slave SPI Configuration Timing	84
Figure 3.20. I ² C /I3C Configuration Timing.....	84
Figure 3.21. Master SPI Wake-Up Timing	84
Figure 3.22. Slave SPI/I ² C/I3C Wake-Up Timing.....	85
Figure 3.23. Configuration Error Notification	85
Figure 3.24. JTAG Port Timing Waveforms	87

Figure 3.25. Output Test Load, LVTTTL, and LVCMOS Standards 88

Tables

Table 1.1. LIFCL-33/33U Key Features	10
Table 1.2. LIFCL-33/33U Commercial/Industrial Family Selection Guide	12
Table 2.1. Resources and Modes Available per Slice	16
Table 2.2. Slice Signal Descriptions	18
Table 2.3. Number of Slices Required to Implement Distributed RAM	19
Table 2.4. sysMEM Block Configurations	27
Table 2.5. Maximum Number of Elements in a sysDSP Block	31
Table 2.6. Input Block Port Description	34
Table 2.7. Output Block Port Description	36
Table 2.8. Tri-state Block Port Description	37
Table 2.9. Single-Ended I/O Standards	38
Table 2.10. Differential I/O Standards	38
Table 2.11. Single-Ended I/O Standards Supported on Various Sides	39
Table 2.12. Differential I/O Standards Supported on Various Sides	40
Table 2.13. AON Port Description	41
Table 2.14. USB Endpoint FIFO Size and Burst Size (Maximum Packet Size)	43
Table 3.1. Absolute Maximum Ratings	48
Table 3.2. Recommended Operating Conditions	49
Table 3.3. Power Supply Ramp Rates	50
Table 3.4. Power-On Reset	50
Table 3.5. On-Chip Termination Options for Input Modes	51
Table 3.6. Hot Socketing Specifications for GPIO	51
Table 3.7. DC Electrical Characteristics – Wide Range	52
Table 3.8. DC Electrical Characteristics – High Speed	52
Table 3.9. Capacitors – Wide Range	52
Table 3.10. Capacitors – High Performance	53
Table 3.11. Single Ended Input Hysteresis – Wide Range	53
Table 3.12. Single Ended Input Hysteresis – High Performance	53
Table 3.13. sysI/O Recommended Operating Conditions	54
Table 3.14. sysI/O DC Electrical Characteristics – Wide Range I/O	55
Table 3.15. sysI/O DC Electrical Characteristics – High Performance I/O ³	56
Table 3.16. I/O Resistance Characteristics	56
Table 3.17. V _{IN} Maximum Overshoot/Undershoot Allowance – Wide Range ^{1, 2}	57
Table 3.18. V _{IN} Maximum Overshoot/Undershoot Allowance – High Performance ^{1, 2}	57
Table 3.19. LVDS DC Electrical Characteristics ¹	57
Table 3.20. LVDS25E DC Conditions	58
Table 3.21. SubLVDS Input DC Electrical Characteristics (Over Recommended Operating Conditions)	59
Table 3.22. SubLVDS Output DC Electrical Characteristics	59
Table 3.23. SLVS Input DC Characteristics	60
Table 3.24. SLVS Output DC Characteristics	60
Table 3.25. Soft D-PHY Input Timing and Levels	63
Table 3.26. Soft D-PHY Output Timing and Levels	64
Table 3.27. Soft D-PHY Clock Signal Specification	64
Table 3.28. Soft D-PHY Data-Clock Timing Specifications	65
Table 3.29. Maximum I/O Buffer Speed ^{1, 2, 3, 4, 7}	66
Table 3.30. Pin-to-Pin Performance	67
Table 3.31. Register-to-Register Performance ^{1, 3, 4}	68
Table 3.32. LMMI F _{MAX} Summary	68
Table 3.33. External Switching Characteristics (V _{CC} = 1.0 V)	69
Table 3.34. sysCLOCK PLL Timing (V _{CC} = 1.0 V)	77
Table 3.35. Internal Oscillators (V _{CC} = 1.0 V)	79
Table 3.36. User I ² C Specifications (V _{CC} = 1.0 V)	79

Table 3.37. sysCONFIG Port Timing Specifications	79
Table 3.38. AON Block Specification ($V_{CCAUX_AON} = 1.8\text{ V}$)	85
Table 3.39. Hardened USB2 Specifications	86
Table 3.40. Hardened USB3 Specifications	86
Table 3.41. JTAG Port Timing Specifications	86
Table 3.42. Test Fixture Required Components, Non-Terminated Interfaces	88

Acronyms in This Document

A list of acronyms used in this document.

Acronym	Definition
AON	Always On
CDR	Clock and Data Recovery
CRC	Cycle Redundancy Code
DCC	Dynamic Clock Control
DCS	Dynamic Clock Select
DDR	Double Data Rate
DLL	Delay Locked Loop
DSP	Digital Signal Processing
EBR	Embedded Block RAM
ECC	Error Correction Coding
ECLK	Edge Clock
FFT	Fast Fourier Transform
FIFO	First In First Out
FIR	Finite Impulse Response
GPIO	General Purpose Input/Output
LC	Logic Cell
LRAM	Large RAM
LVC MOS	Low-Voltage Complementary Metal Oxide Semiconductor
LVDS	Low-Voltage Differential Signaling
LVPECL	Low Voltage Positive Emitter Coupled Logic
LVTTL	Low Voltage Transistor-Transistor Logic
LUT	Look Up Table
MPS	Maximum Packet Size
PCI	Peripheral Component Interconnect
PCLK	Primary Clock
PDPR	Pseudo Dual Port RAM
PFU	Programmable Functional Unit
PIC	Programmable I/O Cells
PIPE	PHY Interface for PCI Express
PLL	Phase Locked Loop
POR	Power On Reset
SER	Soft Error Rate
SEU	Single Event Upset
SLVS	Scalable Low-Voltage Signaling
SPI	Serial Peripheral Interface
SPR	Single Port RAM
SRAM	Static Random-Access Memory
TAP	Test Access Port
TDM	Time Division Multiplexing
USB	Universal Serial Bus

1. General Description

The CrossLink™-NX-33 and CrossLinkU™-NX devices (hereafter referred to as LIFCL-33 and LIFCL-33U respectively) can be used in a wide range of applications and are optimized for bridging and processing needs in Embedded Vision applications – supporting a variety of high bandwidth sensor and display interfaces, video processing and machine learning inferencing. It is built on the Lattice Nexus FPGA platform, using low-power 28 nm FD-SOI technology. It combines the extreme flexibility of an FPGA with the low power and high reliability (due to extremely low SER) of FD-SOI technology and offers small footprint package options.

LIFCL-33/33U devices support a variety of interfaces including MIPI D-PHY (CSI-2, DSI), LVDS, SLVS, subLVDS, and more. USB 2.0 and USB 3.2 Gen 1 are only supported in LIFCL-33U.

The processing features of the LIFCL-33U include up to 33k Logic Cells, sixty-four 18 × 18 multipliers, and 3.6 Mb of embedded memory (consisting of EBR and LRAM blocks), and distributed memory.

LIFCL-33/33U devices support fast configuration of its reconfigurable SRAM-based logic fabric. Security features to secure user designs include bitstream encryption and password protection. In addition to the high reliability inherent to FD-SOI technology (due to its extremely low SER), active reliability feature such as built-in frame-based SED/SEC (for SRAM-based logic fabric) is also supported.

Lattice Radiant™ design software allows large complex user designs to be efficiently implemented in LIFCL-33U device. Synthesis library support for the device is available for popular logic synthesis tools. Radiant tools use the synthesis tool output along with constraints from its floor planning tools to place and route the user design. The tools extract timing from the routing and back-annotate it into the design for timing verification.

Lattice provides many pre-engineered IP (Intellectual Property) modules. By using these configurable soft IP cores as standardized blocks, users are free to concentrate on the unique aspects of the design, increasing productivity.

1.1. Features

Table 1.1 shows the key features of LIFCL-33/33U devices. Always On (AON), USB 2.0 and USB 3.2 Gen 1 are only supported in LIFCL-33U.

Table 1.1. LIFCL-33/33U Key Features

Programmable Architecture	MIPI D-PHY
<ul style="list-style-type: none"> 33k logic cells 64 multipliers (18 × 18 in sysDSP™ blocks) 3.6 Mb of embedded memory (EBR, LRAM) 60 programmable sysI/O (High Performance and Wide Range I/O) 	<ul style="list-style-type: none"> Soft D-PHY interfaces supported by High Performance (HP) sysI/O Transmit or receive Supports CSI-2, DSI Up to 1.2 Gbps per lane
Programmable sysI/O Supports Wide Variety of Interfaces	Cryptographic Engine
<ul style="list-style-type: none"> High Performance (HP) on bottom I/O dual rank <ul style="list-style-type: none"> Supports up to 1.8 V Vccio Mixed voltage support (1.0 V, 1.2 V, 1.5 V, 1.8 V) High-speed differential up to 1.2 Gbps Supports soft D-PHY (Tx/Rx), LVDS 7:1 (Tx/Rx), SLVS (Tx/Rx), subLVDS (Rx) Wide Range (WR) on Top I/O Banks <ul style="list-style-type: none"> Supports up to 3.3 V Vccio Mixed voltage support (1.2 V, 1.5 V, 1.8 V, 2.5 V, 3.3 V) Programmable slew rate (slow, med, fast) Controlled impedance mode Emulated LVDS support Hot Socketing Support 	<ul style="list-style-type: none"> Bitstream encryption – using AES-256 Bitstream authentication – using ECDSA Hashing algorithms – SHA, HMAC True Random Number Generator AES 128/256 Encryption

sysDSP Enhanced DSP blocks	Single Event Upset (SEU) Mitigation Support
<ul style="list-style-type: none"> • Hardened pre-adder • Dynamic Shift for AI/ML support • Four 18 × 18, eight 9 × 9, two 18 × 36, or 36 × 36 multipliers • Advanced 18 × 36, two 18 × 18, or four 8 × 8 MAC 	<ul style="list-style-type: none"> • Extremely low Soft Error Rate (SER) due to FD-SOI technology • Soft Error Detect – Embedded hard macro • Soft Error Correction – Without stopping user operation • Soft Error Injection – Emulate SEU event to debug system error handling
sysCLOCK™ Analog PLL	Power Modes – Low Power versus High-Performance
<ul style="list-style-type: none"> • Six outputs per PLL • Fractional N • Programmable and dynamic phase control 	<ul style="list-style-type: none"> • User-selectable • Low-Power mode for power and/or thermal challenges • High-Performance mode for faster processing
Flexible Memory Resources	Configuration – Fast, Secure
<ul style="list-style-type: none"> • Up to 1.1 Mb sysMEM™ Embedded Block RAM (EBR) • Programmable width • Single or dual clock FIFO • 220k bits distributed RAM • Large RAM Blocks <ul style="list-style-type: none"> • 0.5 Mbits per block • Up to five blocks (2.5 Mb total) per device 	<ul style="list-style-type: none"> • SPI – x1, x2, x4 up to 150 MHz <ul style="list-style-type: none"> • Master and Slave SPI support • JTAG • I²C and I3C • Bitstream Security <ul style="list-style-type: none"> • Encryption • Authentication
Internal Bus Interface Support	USB 2.0/USB 3.2 Gen 1 PHY and USB 3.2 Gen 1 Controller (LIFCL-33U)
<ul style="list-style-type: none"> • APB control bus • AHB-Lite for data bus • AXI protocol 	<ul style="list-style-type: none"> • USB 3.2 Gen 1 at 5 Gbps x1 (-9 speed grade only) • USB 3.2 Gen 1 PHY and Controller (-9 speed grade only) • USB 2.0 PHY and Controller (All speed grades)
System Level Support	Always On (AON) Support for Low Power Applications
<ul style="list-style-type: none"> • IEEE 1149.1 and IEEE 1532 compliant • Reveal Logic Analyzer • On-chip oscillator for initialization and general use • 1.0 V core power supply 	<ul style="list-style-type: none"> • AON timer and power management • Supports lowest FPGA power for AON applications • Typical standby power <70 uA
Small Footprint Package Options	
<ul style="list-style-type: none"> • 3.1 × 7.3 mm package options 	

Table 1.2. LIFCL-33/33U Commercial/Industrial Family Selection Guide

Device	LIFCL-33	LIFCL-33U
Logic Cells ¹	33k	33k
Embedded Memory (EBR) Blocks (18 kb)	64	64
Embedded Memory (EBR) Bits (kb)	1,152	1,152
Distributed RAM Bits (kb)	220	220
Large Memory (LRAM) Blocks	5	5
Large Memory (LRAM) Bits (kb) (512 kbits each)	2560	2560
18 × 18 Multipliers	64	64
450 MHz High Frequency Oscillator	1	1
128 kHz Low Power Oscillator	1	1
GPLL ²	1	1
Always On (AON) Block	—	1
USB 2.0/USB 3.2 Gen 1 Interface ³	—	1/1
Packages (Size, Ball Pitch)	Total I/O (Wide Range, High Performance)	
84 WLCSP (3.1 mm × 7.3 mm, 0.5 mm)	60 (34, 26)	44 (17, 27)
104 FCCSP (5.5 mm × 8.5 mm, 0.65 mm)	—	52 (20, 32)

Notes:

1. Logic Cells = LUTs × 1.2 effectiveness.
2. GPLL is only supported in 104 package of LIFCL-33U.
3. USB 3.2 Gen 1 is supported by -9 speed grade only.

2. Architecture

2.1. Overview

Each LIFCL-33/33U device contains an array of logic blocks surrounded by Programmable I/O Cells (PIC). Interspersed between the rows of logic blocks are rows of sysMEM Embedded Block RAM (EBR) and rows of sysDSP Digital Signal Processing blocks, as shown in [Figure 2.1](#) and [Figure 2.2](#). The sysMEM EBR blocks are large, dedicated 18 kb fast memory blocks and have FIFO support. Each sysMEM block can be configured to a single, pseudo dual or true dual port memory in a variety of depths and widths as RAM or ROM. Each DSP block supports a variety of multiplier and adder configurations with one 108-bit or two 54-bit accumulators supported, which are the building blocks for complex signal processing capabilities.

Each PIC block encompasses two PIO (PIO pairs) with their respective sysI/O buffers. The sysI/O buffers of the LIFCL-33/33U devices are arranged in seven banks allowing the implementation of a wide variety of I/O standards. The Wide Range (WR) I/O banks that are located on the top side of the device provide flexible ranges of general purpose I/O configurations up to 3.3 V VCCIOs. The banks located on the bottom side of the device are dedicated to High Performance (HP) interfaces such as LVDS, MIPI supporting up to 1.8 V VCCIOs.

The Programmable Functional Unit (PFU) contains the building blocks for logic, arithmetic, RAM and ROM functions. The PFU block is optimized for flexibility, allowing complex designs to be implemented quickly and efficiently. Logic Blocks are arranged in a two-dimensional array. The registers in the PFU and sysI/O blocks in LIFCL-33/33U devices can be configured to be SET or RESET. After power up and configuration, it enters into user mode with these registers SET/RESET according to the user design, allowing the device to power up in a known state for predictable system function.

LIFCL-33U features like USB 3.2 Gen 1 and AON supports better system integration for host communications and low power applications.

LIFCL-33/33U devices also provide security features to help protect user designs and deliver more robust reliability by offering enhanced frame-based SED/SEC functions.

Other blocks provided include PLLs, DLLs, and configuration functions. The PLL and DLL blocks are located at the corners of each device. LIFCL-33/33U devices also include Lattice Memory Mapped Interface (LMMI) which is a Lattice standard to support simple read and write operations to control internal IP.

Every device in the family has a JTAG port. This family also provides an on-chip oscillator and soft error detect capability. The LIFCL-33/33U devices use 1.0 V as their core voltage.

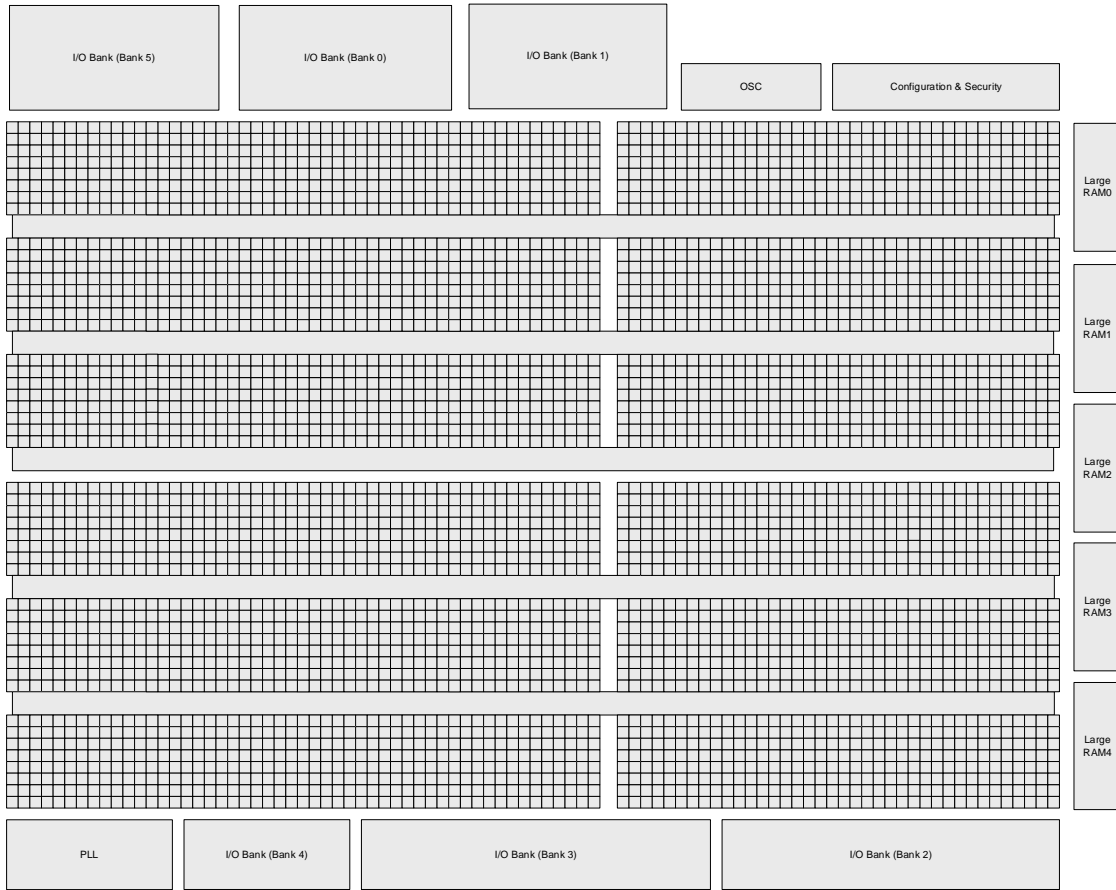


Figure 2.1. LIFCL-33 Simplified Block Diagram

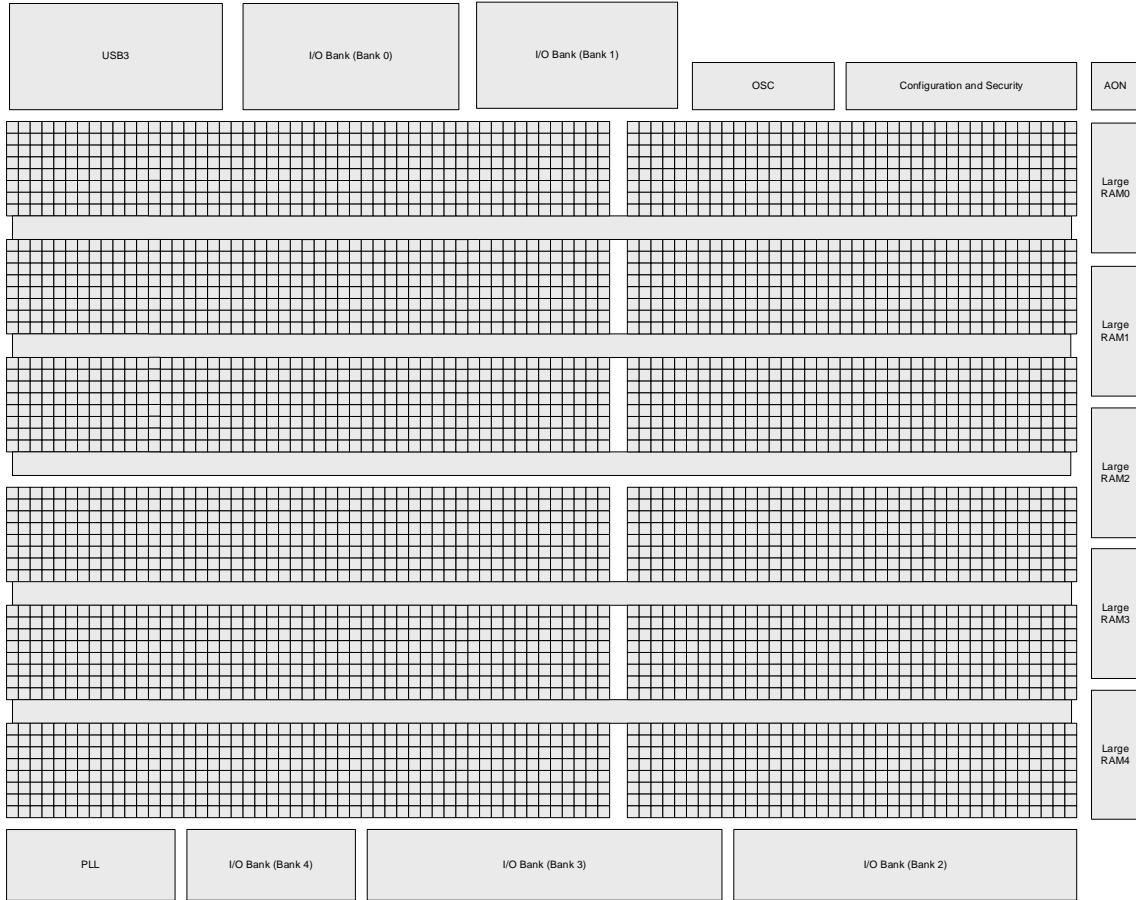


Figure 2.2. LIFCL-33U Simplified Block Diagram

2.2. PFU Blocks

The core of the LIFCL-33/33U devices consist of PFU blocks. Each PFU block consists of four interconnected slices numbered 0-3 as shown in Figure 2.3. Each slice contains two LUTs. All the interconnections to and from PFU blocks are from routing.

The PFU block can be used to perform Logical, Arithmetic, RAM or ROM functions. Table 2.1 shows the functions each slice can perform in either Distributed SRAM or non-distributed SRAM modes.

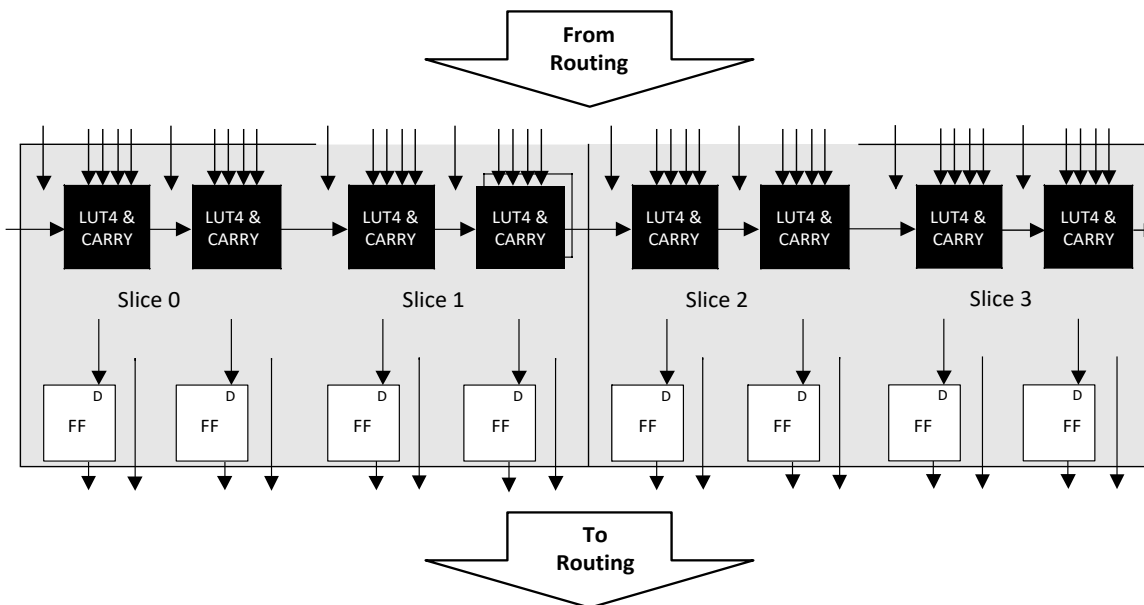


Figure 2.3. PFU Diagram

2.2.1. Slice

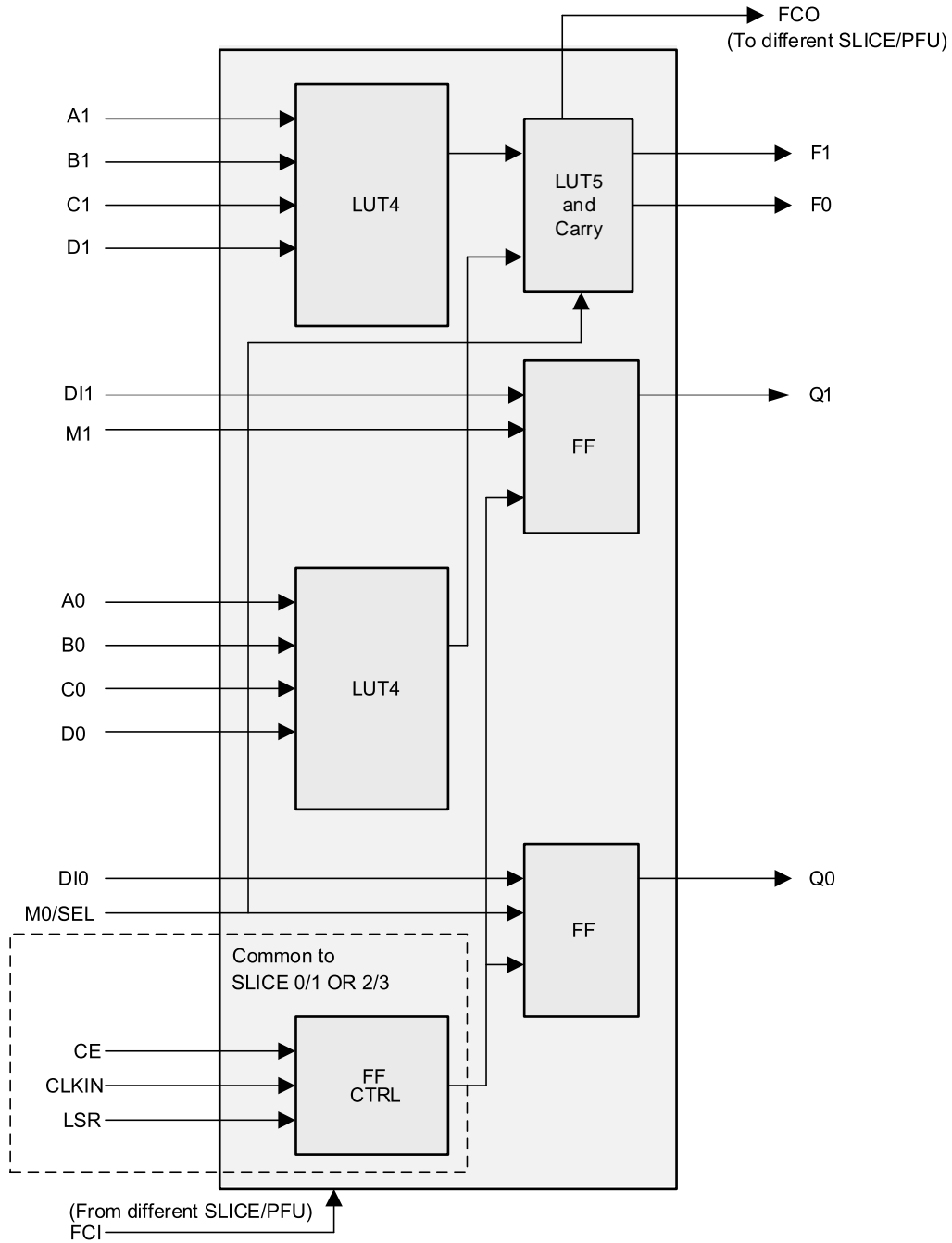
Each slice contains two LUT4s feeding two registers. In Distributed SRAM mode, Slice 0 and Slice 1 are configured as distributed memory and Slice 2 is not available as it is used to support Slice 0 and Slice 1, while Slice 3 is available as Logic or ROM. Table 2.1 shows the capability of the slices along with the operation modes they enable. In addition, each Slice contains logic that allows the LUTs to be combined to perform a LUT5 function. There is control logic to perform set/reset functions (programmable as synchronous/asynchronous), clock select, chip-select, and wider RAM/ROM functions.

Table 2.1. Resources and Modes Available per Slice

Slice	PFU (Used as Distributed SRAM)		PFU (Not used as Distributed SRAM)	
	Resources	Modes	Resources	Modes
Slice 0	2 LUT4s and 2 Registers	RAM	2 LUT4s and 2 Registers	Logic, Ripple, ROM
Slice 1	2 LUT4s and 2 Registers	RAM	2 LUT4s and 2 Registers	Logic, Ripple, ROM
Slice 2	2 LUT4s and 2 Registers	RAM	2 LUT4s and 2 Registers	Logic, Ripple, ROM
Slice 3	2 LUT4s and 2 Registers	Logic, Ripple, ROM	2 LUT4s and 2 Registers	Logic, Ripple, ROM

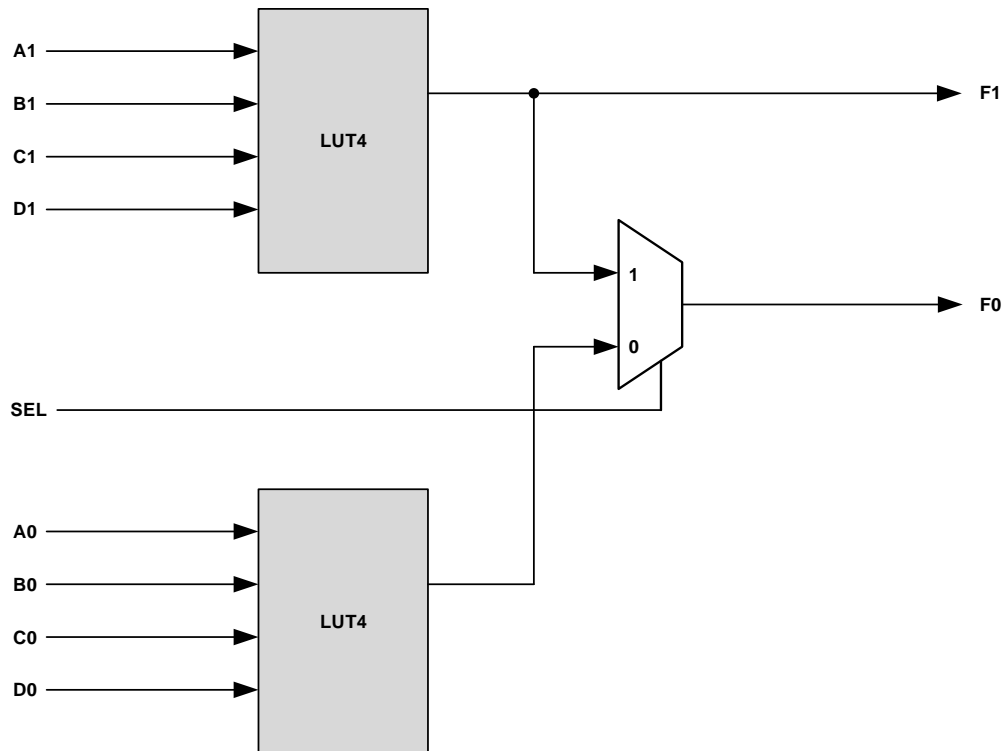
Figure 2.4 shows an overview of the internal logic of the slice. The registers in the slice can be configured for positive/negative edge clocking.

Each slice has 17 input signals: 16 signals from routing and one from the carry-chain (from the adjacent slice or PFU). Three of them are used for FF control and shared between two slices (0/1 or 2/3). There are five outputs: four to routing and one to carry-chain (to the adjacent PFU). Table 2.2 and Figure 2.4 list the signals associated with all the slices. Figure 2.5 shows the slice signals that support a LUT5 or two LUT5 functions. F0 can be configured to have a LUT4 or LUT5 output while F1 is for a LUT4 output.



*Note: In RAM mode, LUT4s use the following signals:
QWD0/1
QWDN0/1
QWAS00~03, QWAS10~13

Figure 2.4. Slice Diagram



*Note: In RAM mode, LUT4s use the following signals:
 QWD0/1
 QWDN0/1
 QWAS00~03, QWAS10~13

Figure 2.5. Slice Configuration for LUT4 and LUT5

Table 2.2. Slice Signal Descriptions

Function	Type	Signal Names	Description
Input	Data signal	A0, B0, C0, D0	Inputs to LUT4
Input	Data signal	A1, B1, C1, D1	Inputs to LUT4
Input	Data signal	M0, M1	Direct input to FF from fabric
Input	Control signal	SEL	LUT5 mux control input
Input	Data signal	DI0, DI1	Inputs to FF from LUT4 F0/F1 outputs
Input	Control signal	CE	Clock Enable
Input	Control signal	LSR	Local Set/Reset
Input	Control signal	CLKIN	System Clock
Input	Inter-PFU signal	FCI	Fast Carry-in ¹
Output	Data signals	F0	LUT4/LUT5 output signal
Output	Data signals	F1	LUT4 output signal
Output	Data signals	Q0, Q1	Register outputs
Output	Inter-PFU signal	FCO	Fast carry chain output ¹

Note:

1. See Figure 2.4 for connection details.

2.2.2. Modes of Operation

Slices 0-2 have up to four potential modes of operation: Logic, Ripple, RAM and ROM. Slice 3 is not needed for RAM mode, it can be used in Logic, Ripple, or ROM modes.

Logic Mode

In this mode, the LUTs in each slice are configured as 4-input combinatorial lookup tables. A LUT4 can have 16 possible input combinations. Any four input logic functions can be generated by programming this lookup table. Since there are two LUT4s per slice, a LUT5 can be constructed within one slice.

Ripple Mode

Ripple mode supports the efficient implementation of small arithmetic functions. In ripple mode, the following functions can be implemented by each slice:

- Addition 2-bit
- Subtraction 2-bit
- Add/Subtract 2-bit using dynamic control
- Up counter 2-bit
- Down counter 2-bit
- Up/Down counter with asynchronous clear 2-bit using dynamic control
- Up/Down counter with preload (sync) 2-bit using dynamic control
- Comparator functions of A and B inputs 2-bit
 - A greater-than-or-equal-to B
 - A not-equal-to B
 - A less-than-or-equal-to B
- Up/Down counter with A greater-than-or-equal-to B comparator 2-bit using dynamic control
- Up/Down counter with A less-than-or-equal-to B comparator 2-bit using dynamic control
- Multiplier support $A_i \times B_j + 1 + A_i + 1 \times B_j$ in one logic cell with two logic cells per slice
- Serial divider 2-bit mantissa, shift 1bit/cycle
- Serial multiplier 2-bit, shift 1-bit/cycle or 2-bit/cycle

Ripple Mode includes an optional configuration that performs arithmetic using fast carry chain methods. In this configuration (also referred to as CCU2 mode) two additional signals, Carry Generate and Carry Propagate, are generated on a per slice basis to allow fast arithmetic functions to be constructed by concatenating Slices.

RAM Mode

In this mode, a 16×4 -bit distributed single or pseudo dual port RAM can be constructed in one PFU using each LUT block in Slice 0 and Slice 1 as a 16×2 -bit memory in each slice. Slice 2 is used to provide memory address and control signals. LIFCL-33/33U devices support distributed memory initialization.

The Lattice design tools support the creation of a variety of different sized memories. Where appropriate, the software constructs these using distributed memory primitives that represent the capabilities of the PFU. [Table 2.3](#) lists the number of slices required to implement different distributed RAM primitives. For more information about using RAM in LIFCL-33/33U devices, refer to [Memory User Guide for Nexus Platform \(FPGA-TN-02094\)](#).

Table 2.3. Number of Slices Required to Implement Distributed RAM

	SPR 16×4	PDPR 16×4
Number of slices	3	3

Note: SPR = Single Port RAM, PDPR = Pseudo Dual Port RAM

ROM Mode

ROM mode uses the LUT logic; hence, Slice 0 through Slice 3 can be used in ROM mode. Preloading is accomplished through the programming interface during PFU configuration.

For more information, refer to [Memory User Guide for Nexus Platform \(FPGA-TN-02094\)](#).

2.3. Routing

There are many resources provided in the LIFCL-33/33U devices to route signals individually or as busses with related control signals. The routing resources consist of switching circuitry, buffers and metal interconnect (routing) segments. LIFCL-33/33U devices have an enhanced routing architecture that produces a compact design. The Radiant software tool takes the output of the synthesis tool and places and routes the design.

2.4. Clocking Structure

The LIFCL-33/33U clocking structure consists of clock synthesis blocks (PLLs), balanced clock tree networks (PCLK and ECLK), and efficient clock logic modules: Clock Dividers (PCLKDIV and ECLKDIV), Dynamic Clock Selection (DCS), Dynamic Clock Control (DCC), and DDRDLLs. Each of these functions is described as follows.

2.4.1. Global PLL

The Global PLLs (GPLL) provide the ability to synthesize clock frequencies. The LIFCL-33/33U devices support two or three full-featured General Purpose GPLLs. The architecture of the GPLL is shown in [Figure 2.6](#). A description of the GPLL functionality follows.

REFCLK is the reference frequency input to the PLL and its source can come from external CLK inputs or from internal routing. The CLKI input feeds into the input Clock Divider block.

CLKFB is the feedback signal to the GPLL which can come from a path internal to the PLL or from FPGA routing. The feedback divider is used to multiply the reference frequency and thus synthesize a higher or lower frequency clock output. The PLL has six clock outputs CLKOP, CLKOS, CLKOS2, CLKOS3, CLKOS4, and CLKOS5. Each output has its own output divider, thus allowing the GPLL to generate different frequencies for each output. The output dividers can have a value from 1 to 128. Each GPLL output can be used to drive the primary clock or edge clock networks.

The setup and hold times of the device can be improved by programming a phase shift into the output clocks which advances or delays the output clock with reference to the un-shifted output clock. This phase shift can be either programmed during configuration or can be adjusted dynamically using the DIRSEL, DIR, DYNROTATE, and LOADREG ports. The LOCK signal is asserted when the GPLL determines it has achieved lock and deasserted if a loss of lock is detected. The LOCK signal is asynchronous to the PLL clock outputs.

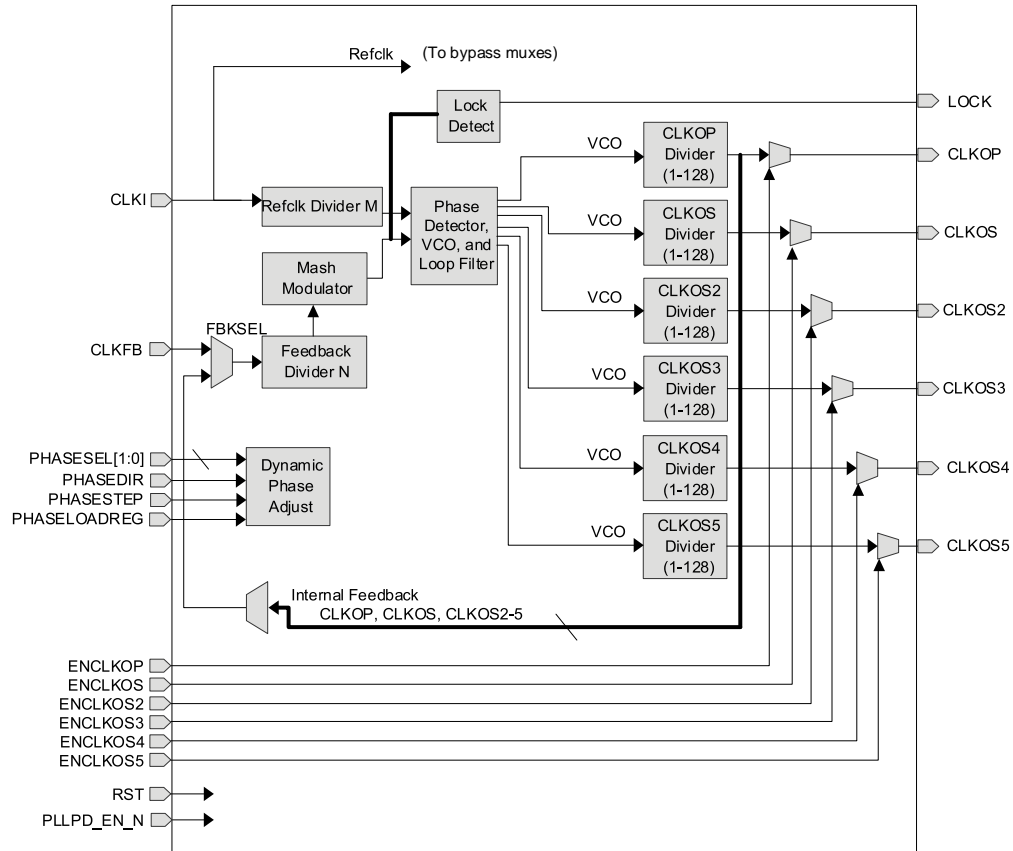


Figure 2.6. General Purpose PLL Diagram

For more details on the PLL, refer to the [sysCLOCK PLL Design and User Guide for Nexus Platform \(FPGA-TN-02095\)](#).

2.4.2. Clock Distribution Network

There are two main clock distribution networks for any member of the LIFCL-33/33U product family, namely Primary Clock (PCLK) and Edge Clock (ECLK). These clock networks can be driven from many different sources, such as Clock Pins, PLL outputs, DLLDEL outputs, and Clock Divider outputs. There are Clock Divider blocks (ECLKDIV and PCLKDIV) to provide a slower clock from these clock sources.

LIFCL-33/33U devices support glitchless Dynamic Clock Control (DCC) for the PCLK Clock to save dynamic power. There are also Dynamic Clock Selection logic to allow glitchless selection between two clocks for the PCLK network (DCS).

An overview of the Clocking Network is shown in [Figure 2.7](#) for the LIFCL-33/33U devices.

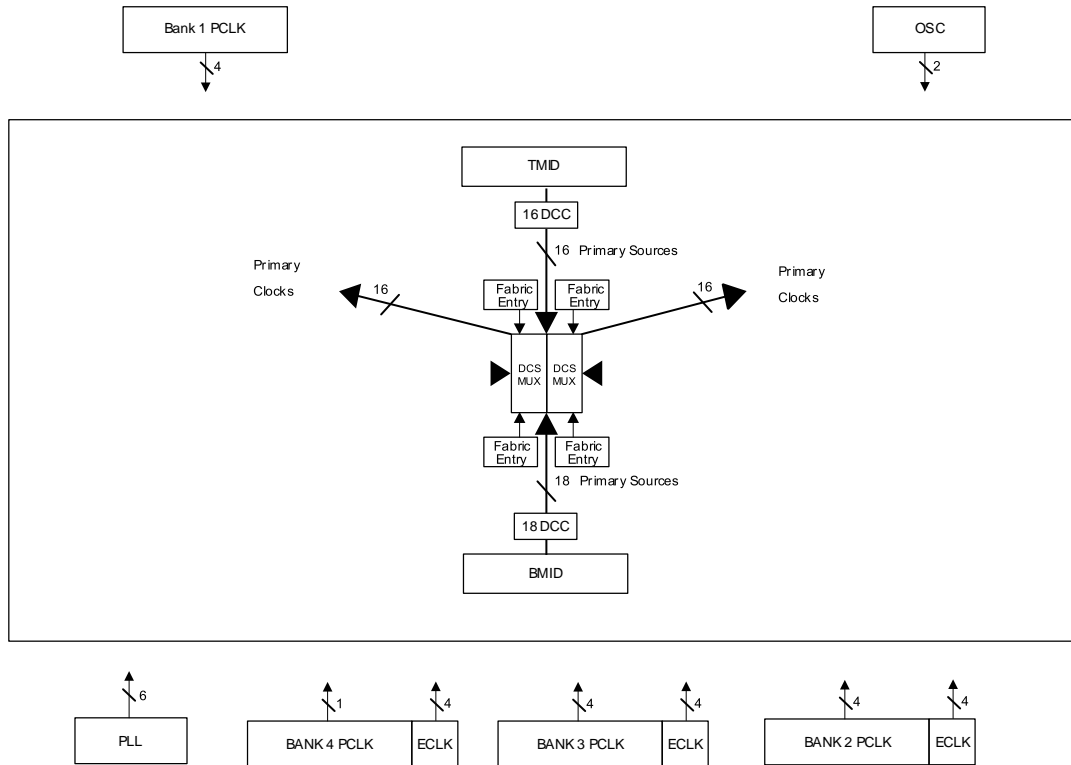


Figure 2.7. Clocking

2.4.3. Primary Clocks

The LIFCL-33/33U devices provide low-skew, high fan-out clock distribution to all synchronous elements in the FPGA fabric through the Primary Clock Network. The LIFCL-33/33U PCLK clock network is a balanced clock structure which is designed to minimize the clock skew across all destinations in the FPGA core.

The primary clock network is divided into two clock domains depending on the device density. Each of these domains has 16 clocks that can be distributed to the fabric in the domain.

The Lattice Radiant software can automatically route each clock to one of the domains up to a maximum of 16 clocks per domain. User can change how the clocks are routed by specifying a preference in the Lattice Radiant software to locate the clock to a specific domain. The LIFCL-33/33U devices provide the user with a maximum of 64 unique clock input sources that can be routed to the primary Clock network.

The primary clock sources are:

- Dedicated clock input pins
- PLL outputs
- PCLKDIV, ECLKDIV outputs
- Internal FPGA fabric entries (with minimum general routing)
- OSC clock

These sources are routed to each of four clock switches called a Mid Mux (LMID, RMID, TMID, BMID). The outputs of the Mid MUX are routed to the center of the FPGA where additional clock switches (DSC_CMUX) are used to route the primary clock sources to primary clock distribution to the LIFCL-33/33U fabric. These routing muxs are shown in Figure 2.7. There are potentially 64 unique clock domains that can be used in the largest LIFCL-33/33U device. For more information about the primary clock tree and connections, refer to [sysCLOCK PLL Design and User Guide for Nexus Platform \(FPGA-TN-02095\)](#).

2.4.4. Edge Clock

LIFCL-33/33U FPGAs have several high-speed edge clocks that are intended for use with the PIO in the implementation of high-speed interfaces. There are four (4) ECLK networks per bank I/O on the Bottom side of the device. The Edge clock network is powered by a separate power domain (to reduce power noise injection from the core and reduce overall noise induced jitter) while controlled by the same logic that gates the FPGA core and PCLK domains for power management.

Each Edge Clock can be sourced from the following:

- Dedicated PIO Clock input pins (PCLK)
- DLLDEL output (PIO Clock delayed by 90°)
- PLL outputs (CLKOP, CLKOS, CLKOS2, CLKOS3, CLKOS4, and CLKOS5)
- Internal Nodes

Figure 2.8 illustrates the various ECLK sources. Bank 3 is shown in the example. Bank 2 and Bank 4 are similar.

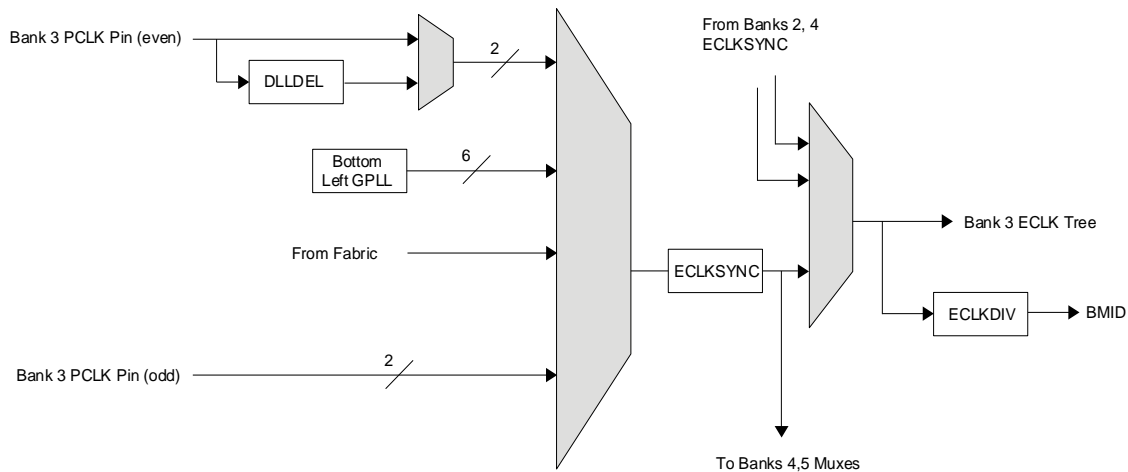


Figure 2.8. Edge Clock Sources per Bank

The edge clocks have low injection delay and low skew. They are typically used for Generic DDR interfaces. For detailed information on Edge Clock connections, refer to [sysCLOCK PLL Design and User Guide for Nexus Platform \(FPGA-TN-02095\)](#).

2.4.5. Clock Dividers

LIFCL-33/33U devices have two distinct types of clock divider, Primary and Edge. There are from one (1) to eight (8) Primary Clock Dividers (PCLKDIV) and which are located in the DCS_CMUX block(s) at the center of the device. There are twelve (12) ECLKDIV dividers per device, locate near the bottom high-speed I/O banks.

The PCLKDIV supports $\div 2$, $\div 4$, $\div 8$, $\div 16$, $\div 32$, $\div 64$, $\div 128$, and $\div 1$ (bypass) operation. The PCLKDIV is fed from a DCSMUX within the DCS_CMUX block. The clock divider output drives one input of the DCS Dynamic Clock Select within the DSC_CMUX block. The Reset (RST) control signal is asynchronous and forces all outputs to low. The divider output starts at next cycle after the reset is synchronously released. The PCLKDIV is shown in context in [Figure 2.8](#).

The ECLKDIV is intended to generate a slower-speed system clock from a high-speed edge clock. The block operates in a $\div 2$, $\div 3.5$, $\div 4$, or $\div 5$ mode and maintains a known phase relationship between the divided down clock and the high-speed clock based on the release of its reset signal. The ECLKDIV can be fed from selected PLL outputs, external primary clock pins (with or without DLLDEL Delay) or from routing. The clock divider outputs feed into the Bottom Mid-mux (BMID). The Reset (RST) control signal is asynchronous and forces all outputs to low. The divider output starts at next cycle after the reset is synchronously released.

The ECLKDIV block is shown in context in [Figure 2.8](#). For further information on clock dividers, refer to [sysCLOCK PLL Design and User Guide for Nexus Platform \(FPGA-TN-02095\)](#).

2.4.6. Clock Center Multiplexer Blocks

All clock sources are selected and combined for primary clock routing through the Dynamic Clock Selector Center Multiplexer logic (DCS_CMUX). There are one (1) or two (2) DCS_CMUX blocks per device. Each DCS_CMUX block contains 2 DCSMUX blocks, 1 PCLKDIV, 1 DCS block, and 1 or 2 CMUX blocks. See Figure 2.9 for a representative DCS_CMUX block diagram.

The heart of the DCS_CMUX is the Center Multiplexer (CMUX) block. It can accept up to 64 input clock sources (Mid-muxes (RMID, LMID, TMIC, BMID) and DCC) and to drive up to 16 primary clock trunk lines.

Up to two (2) clock inputs to the DCS_CMUX can be routed through a Dynamic Clock Select block then routed to the CMUX. One (1) input to the DCS can be optionally divided by the Primary Clock Divider (PCLKDIV). For more information about the DCS_CMUX, refer to [sysCLOCK PLL Design and User Guide for Nexus Platform \(FPGA-TN-02095\)](#).

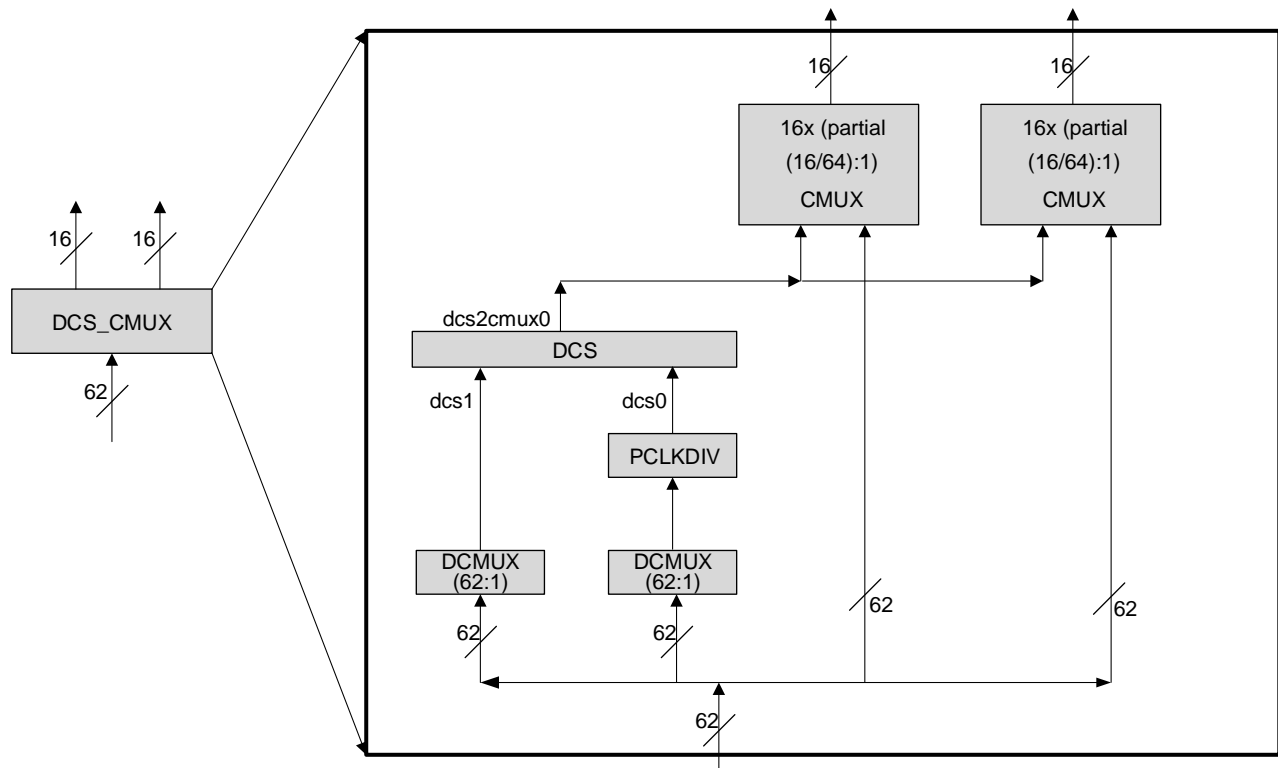


Figure 2.9. DCS_CMUX Diagram

2.4.7. Dynamic Clock Select

The Dynamic Clock Select (DCS) is a smart multiplexer function available in the primary clock routing. It switches between two independent input clock sources. Depending on the operational mode, it switches between two (2) independent input clock sources either with or without any glitches. This is achieved regardless of when the select signal is toggled. Both input clocks must be running to achieve a functioning glitchless DCS output clock, but running clocks are not required when used as a non-glitchless normal clock multiplexer.

There are one (1) or two (2) DCS blocks per device that feed all clock domains. The DCS blocks are located in the DCS_MUX block. The inputs to the DCS blocks come from MIDMUX outputs and user logic clocks via DCC elements. The DCS elements are located at the center of the PLC array core. The output of the DCS is connected to the inputs of Primary Clock Center MUXs (CMUX).

Figure 2.10 shows the timing waveforms of the default DCS operating mode. The DCS block can be programmed to other modes. For more information about the DCS, refer to [sysCLOCK PLL Design and User Guide for Nexus Platform \(FPGA-TN-02095\)](#).

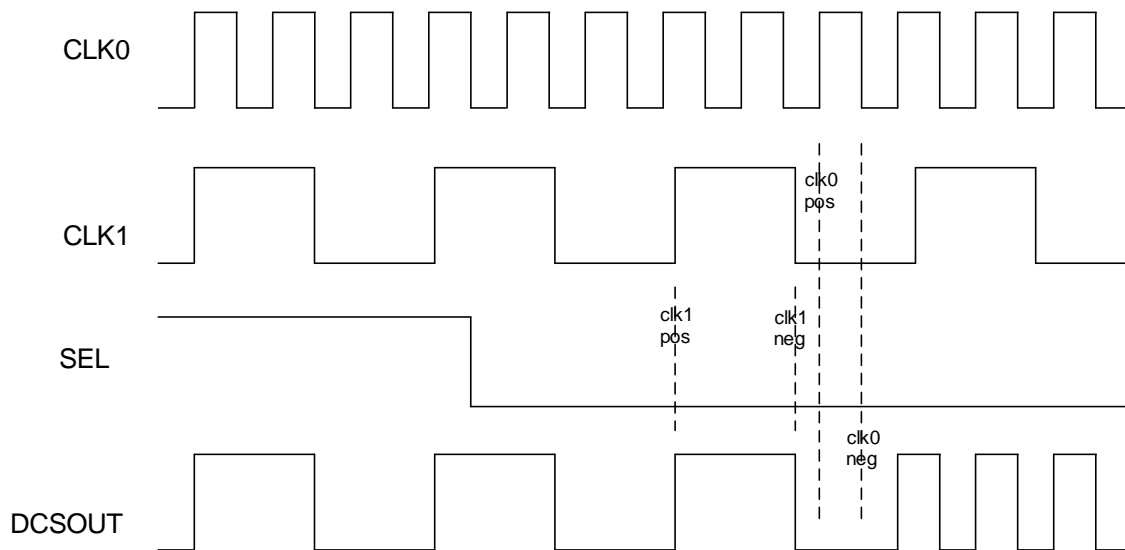


Figure 2.10. DCS Waveforms

2.4.8. Dynamic Clock Control

The Dynamic Clock Control (DCC), Domain Clock enable/disable feature allows internal logic control of the domain primary clock network. When a clock network is disabled, the clock signal is static and does not toggle. All the logic fed by that clock also does not toggle, reducing the overall power consumption of the device. The disable function is glitchless, and does not increase the clock latency to the primary clock network.

Four additional DCC elements control the clock inputs from the LIFCL-33/33U domain logic to the Center MUX elements (DSC_CMUX).

This DCC controls the clock sources from the Primary CLOCK MIDMUX before they are fed to the Primary Center MUXs that drive the domain clock network. For more information about the DCC, refer to [sysCLOCK PLL Design and User Guide for Nexus Platform \(FPGA-TN-02095\)](#).

2.4.9. DDRDLL

LIFCL-33/33U devices have two identical DDRDLL blocks, located in the lower left corner of the device. Each DDRDLL (master DLL block) can generate a 9-bit phase shift value corresponding to a 90-degree phase shift of the reference clock input and provide this value to every DQS block and DLLDEL slave delay element. The reference clock can be either from a PLL, or an input pin.

- The value is also sent to another slave DLL, DLLDEL, which takes a primary clock input and generates a 90-degree shifted clock output to drive the clocking structure. This is useful in an edge-aligned Generic DDR interface, where 90-degree clocking needs to be created. Not all primary clock inputs have associated DLLDEL control. [Figure 2.11](#) shows DDRDLL connectivity to a DLLDEL block.

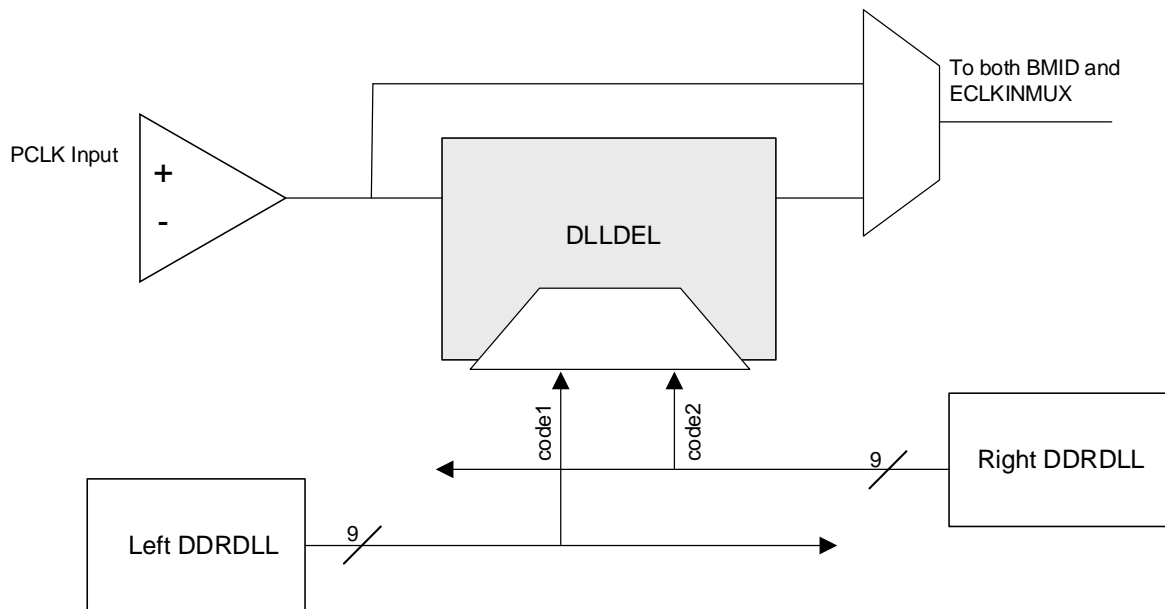


Figure 2.11. DLLDEL Functional Diagram

Each DDRDLL can generate a delay value based on the reference clock frequency. The DLLDELs use the value (code) to either create phase shifted inputs from the DDR memory or create a 90-degree shifted clock. [Figure 2.12](#) shows the connections between the DDRDLL and the DLLDELs.

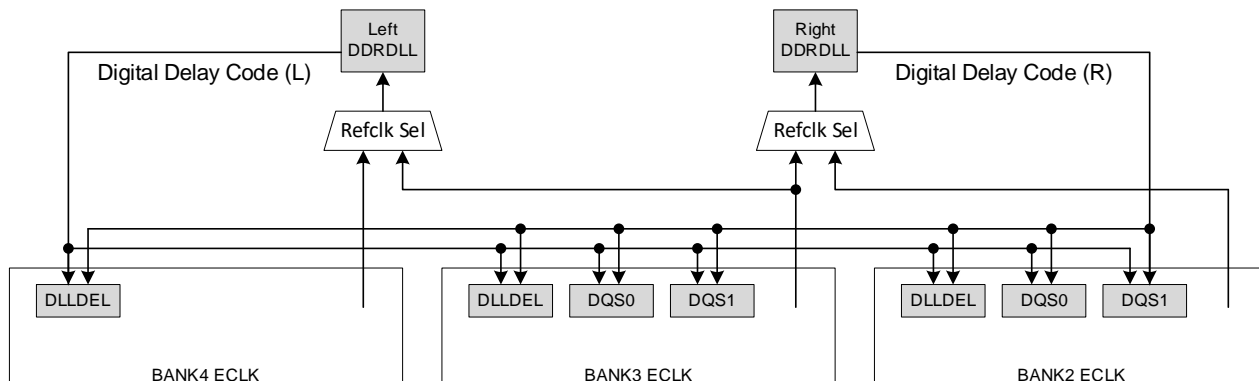


Figure 2.12. DDRDLL Architecture

2.5. sysMEM Memory

LIFCL-33/33U devices contain a number of sysMEM Embedded Block RAM (EBR). The EBR consists of an 18 kb RAM with memory core, dedicated input registers and output registers as well as optional pipeline registers at the outputs. Each EBR includes functionality to support true dual-port, pseudo dual-port, single-port RAM, ROM and built in FIFO.

In LIFCL-33/33U devices, unused EBR blocks is powered down to minimize power consumption.

2.5.1. sysMEM Memory Block

The sysMEM block can implement single port, dual port or pseudo dual port memories. Each block can be used in a variety of depths and widths as listed in [Table 2.4](#). FIFOs can be implemented using the built in read and write address counters and programmable full, almost full, empty and almost empty flags. The EBR block facilitates parity checking by supporting an optional parity bit for each data byte. EBR blocks provide byte-enable support for configurations with 18-bit and 36-bit data widths. For more information, refer to [Memory User Guide for Nexus Platform \(FPGA-TN-02094\)](#).

Table 2.4. sysMEM Block Configurations

Memory Mode	Configurations
Single Port	16,384 × 1
	8,192 × 2
	4,096 × 4
	2,048 × 9
	1,024 × 18
	512 × 36
True Dual Port	16,384 × 1
	8,192 × 2
	4,096 × 4
	2,048 × 9
	1,024 × 18
	512 × 36
Pseudo Dual Port	16,384 × 1
	8,192 × 2
	4,096 × 4
	2,048 × 9
	1,024 × 18
	512 × 36

2.5.2. Bus Size Matching

All the multi-port memory modes support different widths on each of the ports. The RAM bits are mapped LSB word 0 to MSB word 0, LSB word 1 to MSB word 1, and so on. Although the word size and number of words for each port varies, this mapping scheme applies to each port.

2.5.3. RAM Initialization and ROM Operation

If desired, the contents of the RAM can be pre-loaded during device configuration. By preloading the RAM block during the chip configuration cycle and disabling the write controls, the sysMEM block can also be utilized as a ROM.

2.5.4. Memory Cascading

Larger and deeper blocks of RAM can be created using EBR sysMEM Blocks. Typically, the Lattice design tools cascade memory transparently, based on specific design inputs.

2.5.5. Single, Dual and Pseudo-Dual Port Modes

In all the sysMEM RAM modes, the input data and address for the ports are registered at the input of the memory array. The output data of the memory is optionally registered at the output.

2.5.6. Memory Output Reset

The EBR utilizes latches at the A and B output ports. These latches can be reset asynchronously or synchronously. RSTA and RSTB are local signals, which reset the output latches associated with Port A and Port B, respectively. The Global Reset (GSRN) signal can reset both ports. The output data latches and associated resets for both ports are as shown in Figure 2.13. The optional Pipeline Registers at the outputs of both ports are also reset in the same way.

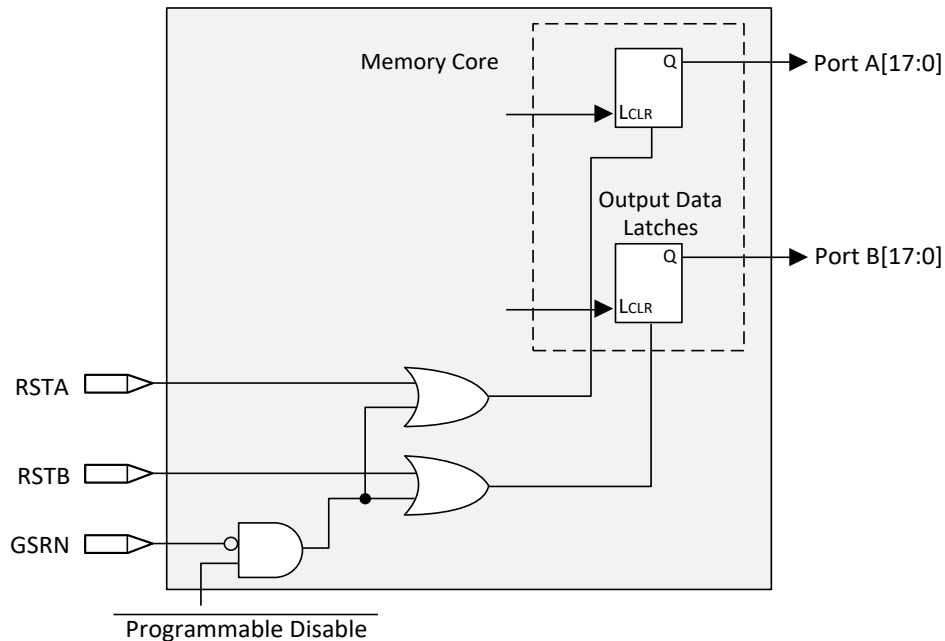


Figure 2.13. Memory Core Reset

For further information on the sysMEM EBR block, see the list of technical documentation in [References](#) section.

2.6. Large RAM

The LIFCL-33/33U devices include additional memory resources in the form of Large Random-Access Memory (LRAM) blocks.

The LRAM is designed to work as Single-Port RAM, Dual-Port RAM, Pseudo Dual-Port RAM, and ROM memories. It is meant to function as additional memory resources for the user beyond what is available in the EBR and PFU.

Each individual Large RAM block contains 0.5 Mbits of memory and has a programmable data width of up to 32 bits. Cascading Large RAM blocks allows data widths of up to 64 bits. Additionally, there is the ability to use either Error Correction Coding (ECC) or byte enable.

2.7. sysDSP

LIFCL-33/33U devices provide an enhanced sysDSP architecture, making it ideally suited for low-cost, high-performance Digital Signal Processing (DSP) applications. Typical functions used in these applications are Finite Impulse Response (FIR) filters, Fast Fourier Transforms (FFT) functions, Correlators, Reed-Solomon/Turbo/Convolution encoders and decoders. These complex signal processing functions use similar building blocks such as multiply-adders and multiply-accumulators.

2.7.1. sysDSP Approach Compared to General DSP

Conventional general-purpose DSP chips typically contain one to four (Multiply and Accumulate) MAC units with fixed data-width multipliers; this leads to limited parallelism and limited throughput. Their throughput is increased by higher clock speeds. In the LIFCL-33/33U device family, there are many DSP blocks that can be used to support different data widths. This allows the user to use highly parallel implementations of DSP functions. User can optimize DSP performance versus area by choosing appropriate levels of parallelism. Figure 2.14 compares the fully serial implementation to the mixed parallel and serial implementation.

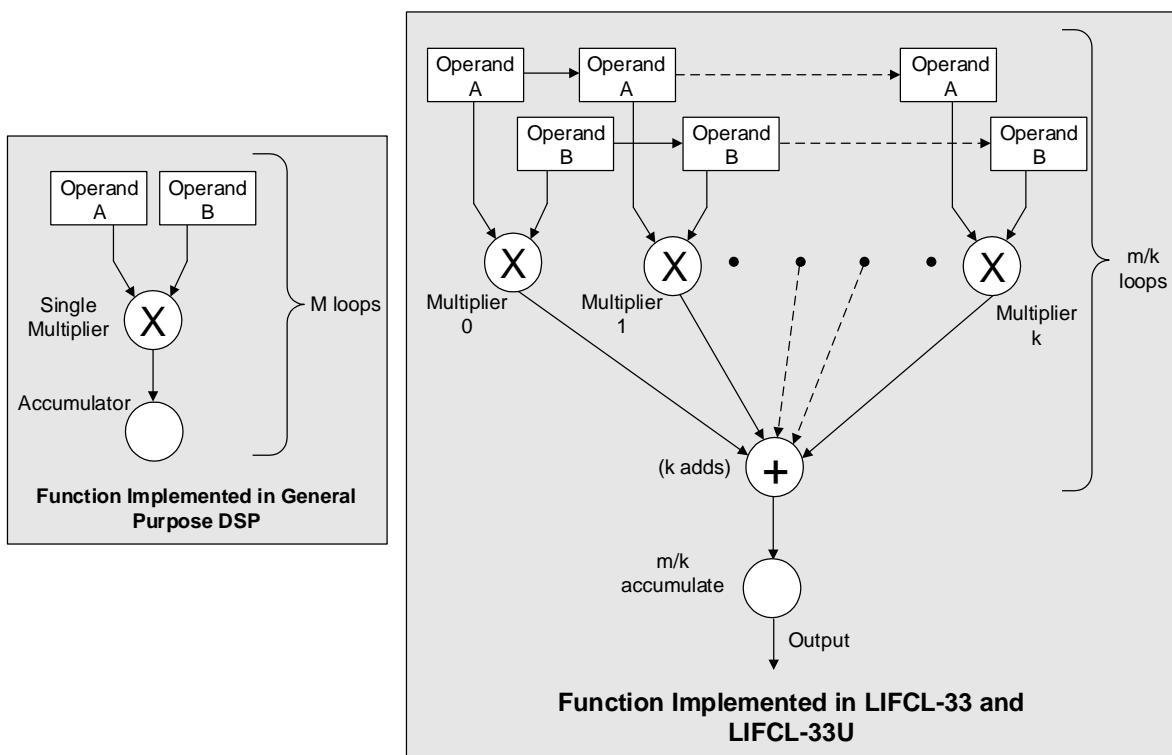


Figure 2.14. Comparison of General DSP, LIFCL-33, and LIFCL-33U Approaches

2.7.2. sysDSP Architecture Features

The LIFCL-33/33U sysDSP block contains two sysDSP slices. The LIFCL-33/33U sysDSP Slice has been significantly enhanced to provide functions needed for advanced processing applications. These enhancements provide improved flexibility and resource utilization.

The LIFCL-33/33U sysDSP block (two sysDSP slices) supports many functions that include the following:

- Symmetry support. The primary target application is wireless. 1D Symmetry is useful for many applications that use FIR filters when their coefficients have symmetry or asymmetry characteristics. The main motivation for using 1D symmetry is cost/size optimization. The expected size reduction is up to 2x.
 - Odd Mode – Filter with Odd number of taps
 - Even Mode – Filter with Even number of taps
 - Two-dimensional (2D) Symmetry Mode – Supports 2D filters for mainly video applications
- Dual-multiplier architecture. Lower accumulator overhead to half and the latency to half compared to single multiplier architecture.
- Fully cascadable DSP across slices. Support for symmetric, asymmetric and non-symmetric filters.
- Multiply (36×36 , two 18×36 , four 18×18 or eight 9×9)
- Multiply Accumulate (supports one 18×36 multiplier result accumulation, two 18×18 multiplier result accumulation or four 9×9 multiplier result accumulation)
- Two Multiplies feeding one Accumulate per cycle for increased processing with lower latency (two 18×18 Multiplies feed into an accumulator that can accumulate up to 54 bits)
- Pipeline registers
- 1D Symmetry support. The coefficients of FIR filters have symmetry or negative symmetry characteristics.
 - Odd Mode – Filter with Odd number of taps
 - Even Mode – Filter with Even number of taps
- 2D Symmetry support. The coefficients of 2D FIR filters have symmetry or negative symmetry characteristics.
 - 3×3 and 3×5 – Internal DSP Slice support
 - 5×5 and larger size 2D blocks – Semi internal DSP Slice support
- Flexible saturation and rounding options to satisfy a diverse set of applications situations
- Flexible cascading DSP blocks
 - Minimizes fabric use for common DSP functions
Enables implementation of FIR Filter or similar structures using dedicated sysDSP slice resources only
 - Provides matching pipeline registers
Can be configured to continue cascading from one row of sysDSP slices to another for longer cascade chains
- RTL Synthesis friendly synchronous reset on all registers, while still supporting asynchronous reset for legacy users.
- Dynamic MUX selection to allow Time Division Multiplexing (TDM) of resources for applications that require processor-like flexibility that enables different functions for each clock cycle.

For most cases, as shown in [Figure 2.15](#), the LIFCL-33/33U sysDSP block is backwards-compatible with the LatticeECP3™ sysDSP block, such that, legacy applications can be targeted to LIFCL-33/33U sysDSP. [Figure 2.15](#) shows the diagram of sysDSP block.

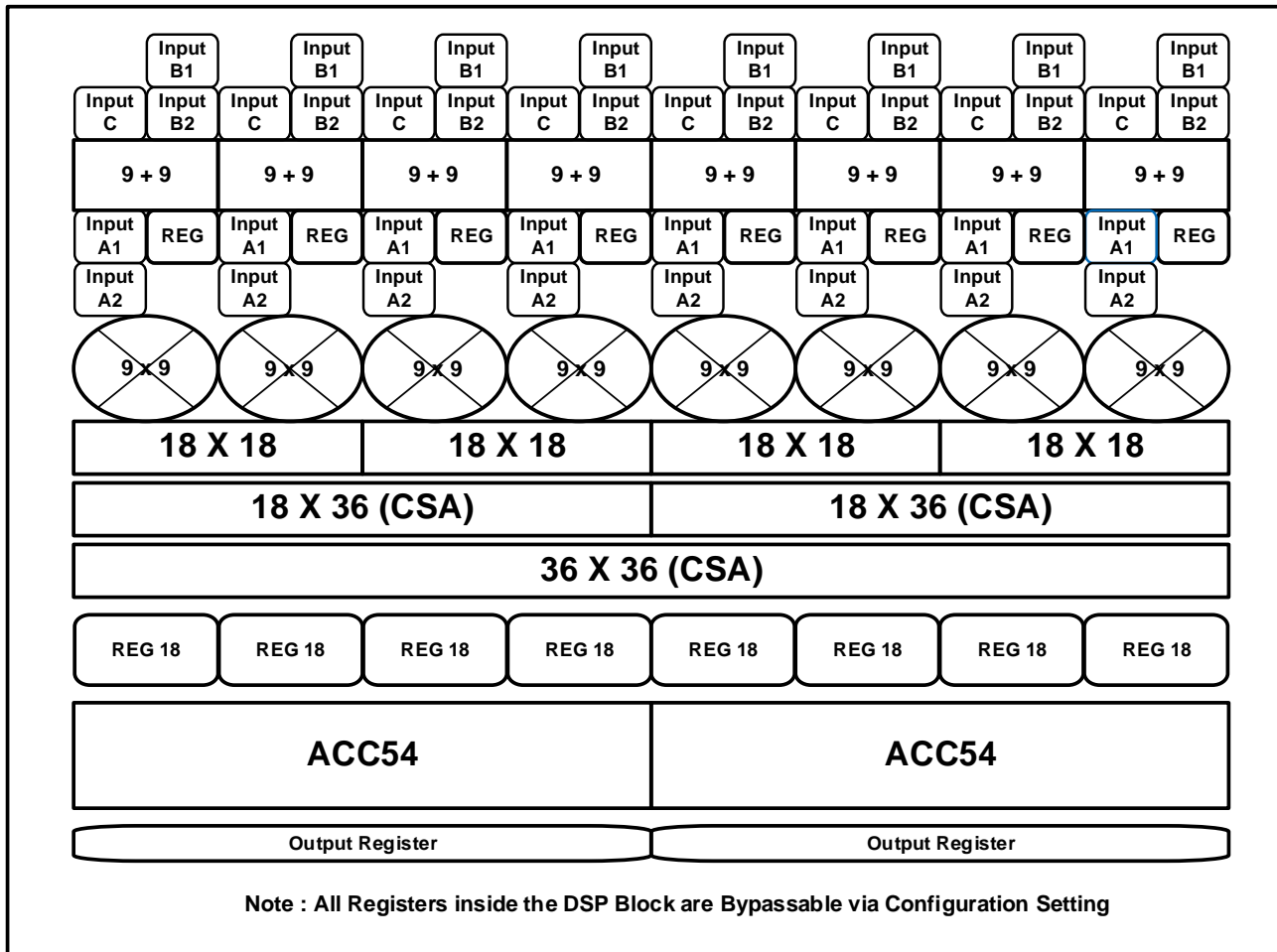


Figure 2.15. DSP Functional Block Diagram

The LIFCL-33/33U sysDSP block supports the following basic elements.

- MULT (Multiply)
- MAC (Multiply, Accumulate)
- MULTADDSUB (Multiply, Addition/Subtraction)
- MULTADDSUBSUM (Multiply, Addition/Subtraction, Summation)

Table 2.5 shows the capabilities of LIFCL-33/33U sysDSP block versus the above functions.

Table 2.5. Maximum Number of Elements in a sysDSP Block

Width of Multiply	x9	x18	x36
MULT	8	4	1
MAC	2	2	—
MULTADDSUB	2	2	—
MULTADDSUBSUM	2	2	—

Some options are available in the four elements. The input register in all the elements can be directly loaded or can be loaded as a shift register from previous operand registers. By selecting *dynamic operation*, the following operations are possible:

- In the Add/Sub option, the Accumulator can be switched between addition and subtraction on every cycle.
- The loading of operands can switch between parallel and serial operations.

For further information, refer to [sysDSP User Guide for Nexus Platform \(FPGA-TN-02096\)](#).

2.8. Programmable I/O (PIO)

The programmable logic associated with an I/O is called a PIO. The individual PIO are connected to their respective sysI/O buffers and pads.

On all LIFCL-33/33U devices, two adjacent PIO can be combined to provide a complementary output driver pair.

2.9. Programmable I/O Cell (PIC)

The programmable I/O cells (PIC) provides I/O function and necessary gearing logic associated with PIO. LIFCL-33/33U devices consist of base PIC and gearing PIC.

Base PICs contain three blocks: an input register block, output register block, and tri-state register block. These blocks contain registers for operating in a variety of modes along with the necessary clock and selection logic. Base PICs cover the top bank. Gearing PICs contain gearing logic and edge monitor used for locating the center of data window. Gearing PICs cover the bottom banks to support DDR operation.

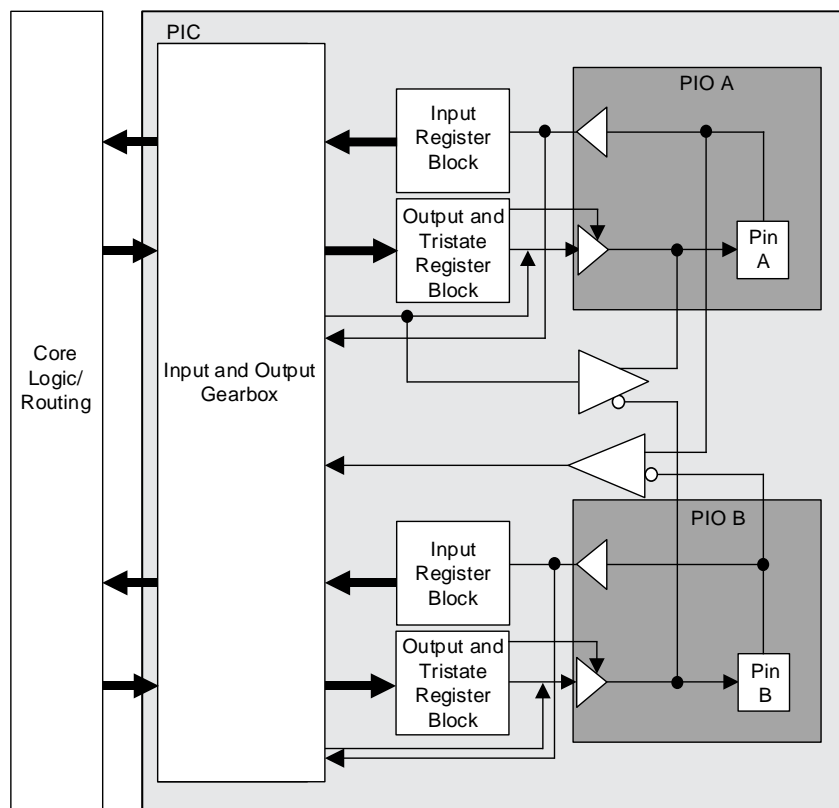


Figure 2.16. Group of Two High Performance Programmable I/O Cells

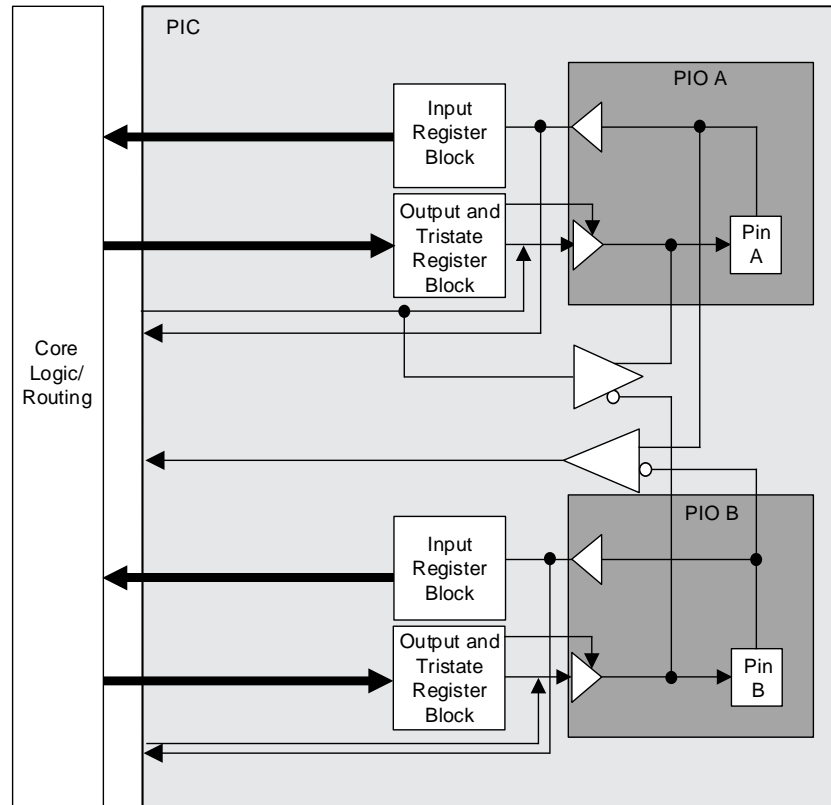


Figure 2.17. Wide Range Programmable I/O Cells

2.9.1. Input Register Block

The input register blocks for the PIO on all edges contain delay elements and registers that can be used to condition high-speed interface signals before they are passed to the device core.

The Input register block on the bottom side includes gearing logic and registers to implement IDDRX1, IDDRX2, IDDRX4, IDDRX5 gearing functions. With two PICs sharing the DDR register path, it can also implement the IDDRX71 function used for 7:1 LVDS interfaces. It uses three sets of registers – shift, update, and transfer to implement gearing and the clock domain transfer. The first stage registers sample the high-speed input data by the high-speed edge clock on its rising and falling edges. The second stage registers perform data alignment based on the control signals. The third stage pipeline registers pass the data to the device core synchronized to the low-speed system clock. For more information on gearing function, refer to [CrossLink-NX-33 and CrossLinkU-NX High-Speed I/O Interface \(FPGA-TN-02280\)](#).

Input FIFO

The LIFCL-33/33U PIO has a dedicated input FIFO per single-ended pin for input data register for DDR Memory interfaces. The FIFO resides before the gearing logic. It transfers data from DQS domain to continuous ECLK domain. On the Write side of the FIFO, it is clocked by DQS clock, which is the delayed version of the DQS Strobe signal from DDR memory. On the Read side of FIFO, it is clocked by ECLK. ECLK may be any high-speed clock with identical frequency as DQS (the frequency of the memory chip). Each DQS group has one FIFO control block. It distributes FIFO read/write pointers to every PIC in same DQS group.

Table 2.6. Input Block Port Description

Name	Type	Description
D	Input	High Speed Data Input
Q[1:0]/Q[3:0]/Q[6:0]/Q[7:0]/Q[9:0]	Output	Low Speed Data to the device core
RST	Input	Reset to the Output Block
SCLK	Input	Slow Speed System Clock
ECLK	Input	High Speed Edge Clock
DQS	Input	Clock from DQS control Block used to clock DDR memory data
ALIGNWD	Input	Data Alignment signal from device core.

Figure 2.18 shows the input register block for the PIO on the top edge.

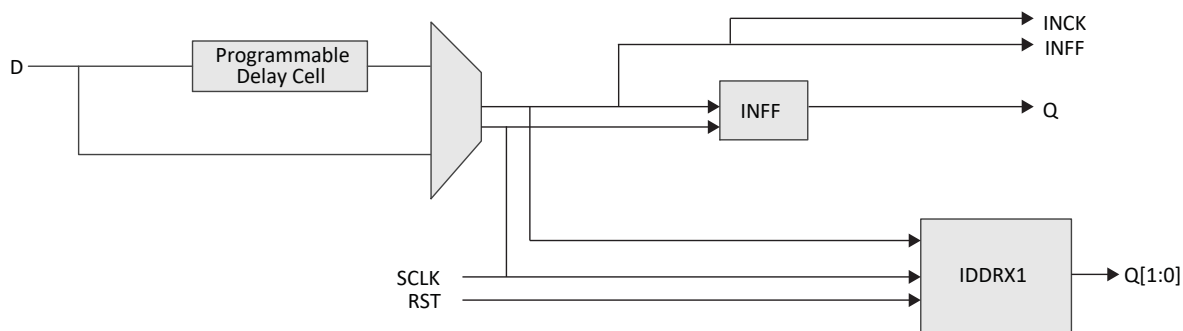
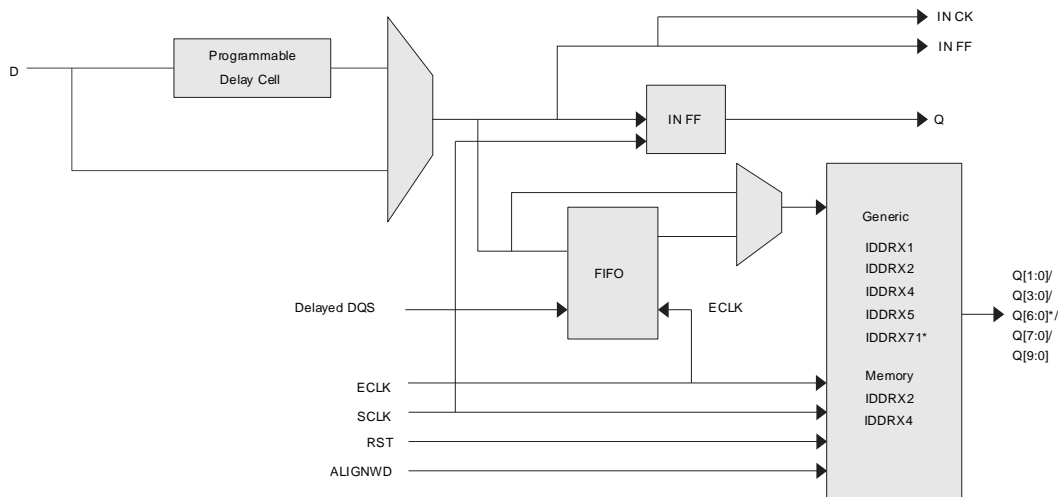


Figure 2.18. Input Register Block for PIO on Top Side of the Device

Figure 2.19 shows the input register block for the PIO located on the bottom edge.



*For 7:1 LVDS interface only. It is required to use PIO pair pins (PIOA/B or PIOC/D).

Figure 2.19. Input Register Block for PIO on Bottom Side of the Device

2.9.2. Output Register Block

The output register block registers signals from the core of the device before they are passed to the sysI/O buffers.

The LIFCL-33/33U output data path has programmable registers and output gearing logic. On the bottom side, the output register block can support 1x, 2x, x4, x5, and 7:1 gearing enabling high speed DDR and DDR memory interfaces. On the top side, the banks support 1x gearing. The LIFCL-33/33U output data path diagram is shown in [Figure 2.20](#). The programmable delay cells are also available in the output data path.

For a detailed description of the output register block modes and usage, refer to [CrossLink-NX-33 and CrossLinkU-NX High-Speed I/O Interface \(FPGA-TN-02280\)](#).

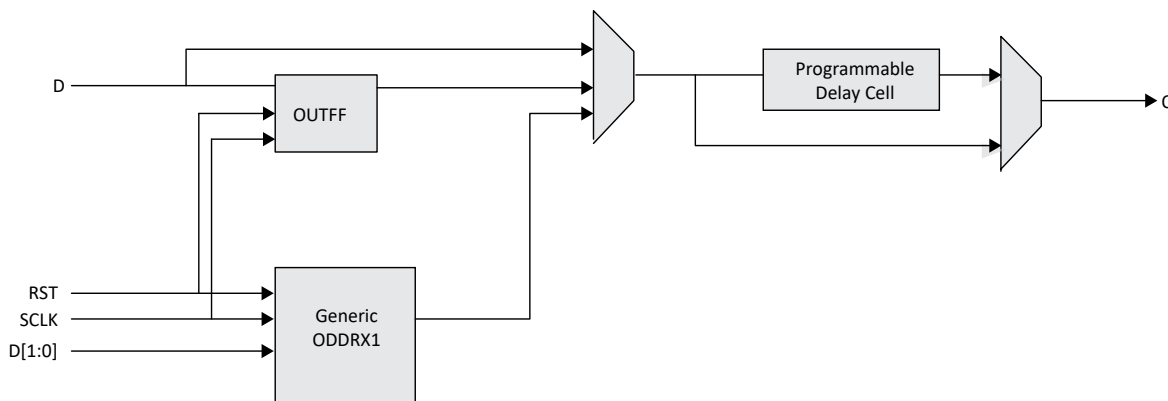
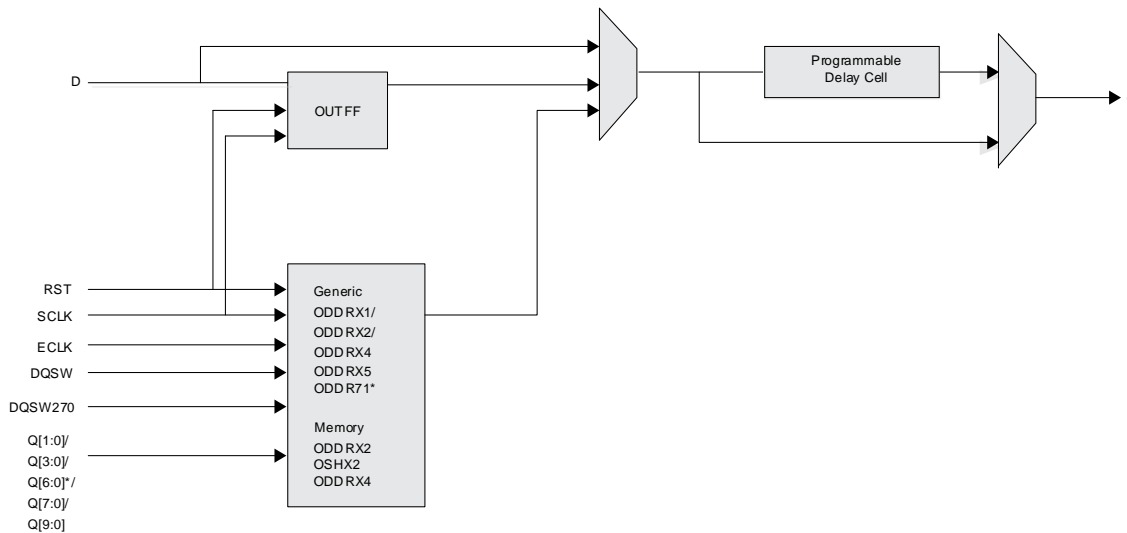


Figure 2.20. Output Register Block on Top Side



*For 7:1 LVDS interface only. It is required to use PIO pair pins PIOA/B.

Figure 2.21. Output Register Block on Bottom Side

Table 2.7. Output Block Port Description

Name	Type	Description
Q	Output	High Speed Data Output
D	Input	Data from core to output SDR register
Q[1:0]/Q[3:0]/Q[6:0]/Q[7:0]/Q[9:0]	Input	Low Speed Data from device core to output DDR register
RST	Input	Reset to the Output Block
SCLK	Input	Slow Speed System Clock
ECLK	Input	High Speed Edge Clock
DQSW	Input	Clock from DQS control Block used to generate DDR memory DQS output
DQSW270	Input	Clock from DQS control Block used to generate DDR memory DQ output

2.10. Tri-state Register Block

The tri-state register block registers tri-state control signals from the core of the device before they are passed to the sys/I/O buffers. The block contains a register for SDR operation. In SDR, the TD input feeds one of the flip-flops that then feeds the output. In DDR, operations used mainly for DDR memory interfaces can be implemented on the bottom side of the device. Here, two inputs feed the tri-state registers clocked by both ECLK and SCLK.

Figure 2.22 and Figure 2.23 show the Tri-state Register Block functions on the device. For a detailed description of the tri-state register block modes and usage, refer to [CrossLink-NX-33 and CrossLinkU-NX High-Speed I/O Interface \(FPGA-TN-02280\)](#).

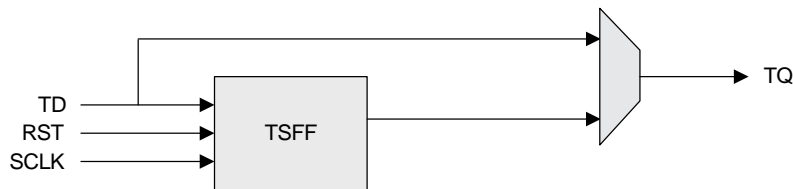


Figure 2.22. Tri-state Register Block on Top Side

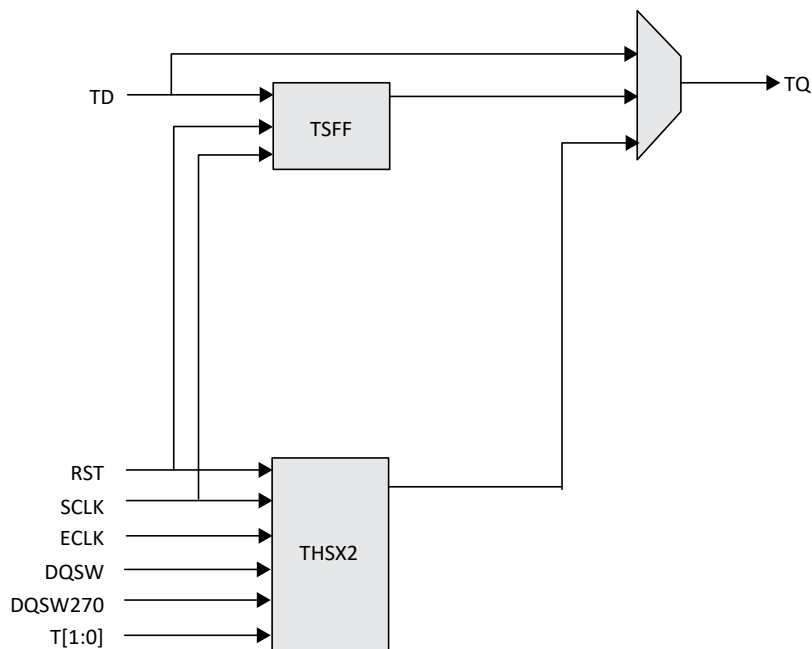


Figure 2.23. Tri-state Register Block on Bottom Side

Table 2.8. Tri-state Block Port Description

Name	Type	Description
TD	Input	Tri-state Input to Tri-state SDR Register
RST	Input	Reset to the Tri-state Block
T[1:0]	Input	Tri-state input to TSHX2 function
SCLK	Input	Slow Speed System Clock
ECLK	Input	High Speed Edge Clock
DQSW	Input	Clock from DQS control Block used to generate DDR memory DQS output
DQSW270	Input	Clock from DQS control Block used to generate DDR memory DQ output
TQ	Output	Output of the Tri-state block

2.11. sysI/O Buffer

Each I/O is associated with a flexible buffer referred to as a sysI/O buffer. These buffers are arranged around the periphery of the device in groups referred to as banks. The sysI/O buffers allow you to implement a wide variety of standards that are found in today's systems including LVDS, LVCMOS, LVTTTL, and MIPI.

The LIFCL-33/33U family contains multiple Programmable I/O Cell (PIC) blocks. Each PIC contains two Programmable I/O, PIOA and PIOB. Each PIO includes a sysI/O buffer and I/O logic. Two adjacent PIO can be joined to provide a differential I/O pair referred to as True and Comp, where True Pad is associated with the positive side of the differential I/O, and the complement with the negative.

The top side bank support I/O standards from 3.3 V to 1.0 V while the bottom supports I/O standards from 1.8 V to 1.0 V. Every pair of I/O on the bottom bank also have a true LVDS and SLVS Tx Driver. In addition, the bottom bank supports single-ended input termination. Both static and dynamic termination are supported. For more information about DDR implementation in I/O Logic and DDR memory interface support, refer [CrossLink-NX-33 and CrossLinkU-NX High-Speed I/O Interface \(FPGA-TN-02280\)](#).

2.11.1. Supported sysI/O Standards

LIFCL-33/33U sysI/O buffers support both single-ended differential and differential standards. Single-ended standards can be further subdivided into internally ratioed standards such as LVCMOS, LVTTTL and externally referenced standards such as HSTL. The buffers support the LVTTTL, LVCMOS 1.0 V, 1.2 V, 1.5 V, 1.8 V, 2.5 V, and 3.3 V standards. Differential standards supported include LVDS, SLVS, and differential LVCMOS. For better support of video standards, subLVDS and MIPI_D-PHY are also supported. [Table 2.9](#) and [Table 2.10](#) provide a list of sysI/O standards supported in LIFCL-33/33U devices.

Table 2.9. Single-Ended I/O Standards

Standard	Input	Output	Bi-directional
LVTTTL33	Yes	Yes	Yes
LVCMOS33	Yes	Yes	Yes
LVCMOS25	Yes	Yes	Yes
LVCMOS18	Yes	Yes	Yes
LVCMOS15	Yes	Yes	Yes
LVCMOS12	Yes	Yes	Yes
LVCMOS10	Yes	No	No
HTSL15 I	Yes	Yes	Yes
LVCMOS18H	Yes	Yes	Yes
LVCMOS15H	Yes	Yes	Yes
LVCMOS12H	Yes	Yes	Yes
LVCMOS10H	Yes	Yes	Yes
LVCMOS10R	Yes	—	Yes ¹

Note:

1. Output supported by LVCMOS10H.

Table 2.10. Differential I/O Standards

Standard	Input	Output	Bi-directional
LVDS	Yes	Yes	Yes
SUBLVDS	Yes	No	—
SLVS	Yes	Yes	—
SUBLVDSE	—	Yes	—
SUBLVDSEH	—	Yes	—
LVDSE	—	Yes	—
MIPI_D-PHY	Yes	Yes	Yes
HSTL15D_I	Yes	Yes	Yes
LVTTTL33D	—	Yes	—
LVCMOS33D	—	Yes	—
LVCMOS25D	—	Yes	—

2.11.2. sysI/O Banking Scheme

The LIFCL-33/33U devices have up to six banks in total. There are three banks on the top, and three at the bottom side of the device. Bank 0, Bank 1, and Bank 5 support up to VCCIO 3.3 V while Bank 2, Bank 3, and Bank 4 support up to VCCIO 1.8 V.

Bank 5 is only supported in LIFCL-33, while AON and USB signals are only available in LIFCL-33U.

Typical sysI/O Behavior During Power-up

The internal Power-On-Reset (POR) signal is deactivated when V_{CC} and V_{CCAUX} have reached satisfactory levels. After the POR signal is deactivated the FPGA core logic becomes active. It is the responsibility of the user to ensure that all other V_{CCIO} banks are active with valid input logic levels to properly control the output logic states of all the I/O banks that are critical to the application. For more information about controlling the output logic state with valid input logic levels during power-up in LIFCL-33/33U devices, see the list of technical documentation in [References](#) section.

V_{CC} and V_{CCAUX} supply the power to the FPGA core fabric, whereas V_{CCIO} supplies power to the I/O buffers. To simplify the system design while providing consistent and predictable I/O behavior, it is recommended that the I/O buffers be powered-up prior to the FPGA core fabric. For the different power supply voltage levels supported by the I/O banks, refer to [sysI/O User Guide for Nexus Platform \(FPGA-TN-02067\)](#) for detailed information.

VREF1 and VREF2

Bank 2, Bank 3, and Bank 4 can support two separate VREF input voltages, VREF1, and VREF2. To assign a VREF driver, use `IO_Type = VREF1_DRIVER` or `VREF2_DRIVER`. To assign VREF to a buffer, use `VREF1_LOAD` or `VREF2_LOAD`.

sysI/O Standards Supported by I/O Bank

All banks can support multiple I/O standards under the VCCIO rules discussed above. [Table 2.11](#) and [Table 2.12](#) summarize the I/O standards supported on various sides of the LIFCL-33/33U devices.

Table 2.11. Single-Ended I/O Standards Supported on Various Sides

Standard	Top	Bottom
LVTTL33	Yes	—
LVC MOS33	Yes	—
LVC MOS25	Yes	—
LVC MOS18	Yes	—
LVC MOS15	Yes	—
LVC MOS12	Yes	—
LVC MOS10	Yes	—
LVC MOS18H	—	Yes
LVC MOS15H	—	Yes
LVC MOS12H	—	Yes
LVC MOS10H	—	Yes
LVC MOS10R	—	Yes
HTSL15 I	—	Yes

Table 2.12. Differential I/O Standards Supported on Various Sides

Standard	Top	Bottom
LVDS	—	Yes
SUBLVDS	—	Yes
SLVS	—	Yes
SUBLVDSE	Yes	—
SUBLVDSEH	—	Yes
LVDSE	Yes	—
MIPI_D-PHY	—	Yes
HSTL15D_I	—	Yes
LVTT133D	Yes	—
LVCNOS33D	Yes	—
LVCNOS25D	Yes	—

Hot Socketing

LIFCL-33/33U devices have been carefully designed to ensure predictable behavior during power-up and power-down. During power-up and power-down sequences, the I/O remain in tri-state until the power supply voltage is high enough to ensure reliable operation. In addition, leakage into I/O pins is controlled within specified limits. Bank 0, Bank 1, and Bank 5 wide range I/O (excluding MCLK/MCSN/MOSI/INITN/DONE) are hot socketable. Bank 2, Bank 3, and Bank 4 do not support hot socketing.

2.11.3. sysI/O Buffer Configurations

This section describes the various sysI/O features available on the LIFCL-33/33U devices. Refer to [sysI/O User Guide for Nexus Platform \(FPGA-TN-02067\)](#) for detailed information.

2.12. IEEE 1149.1-Compliant Boundary Scan Testability

All LIFCL-33/33U devices contain various ports that can be used for configuration, including a Test Access Port (TAP). This allows functional testing of the circuit board on which the device is mounted through a serial scan path that can access all critical logic nodes. Internal registers are linked internally, allowing test data to be shifted in and loaded directly onto test nodes, or test data to be captured and shifted out for verification. The test access port consists of dedicated I/O: TDI, TDO, TCK, and TMS. The test access port uses VCCIO1 for power supply. The test access port is supported for VCCIO1 = 1.8 V - 3.3 V.

For more information, refer to [sysCONFIG User Guide for Nexus Platform \(FPGA-TN-02099\)](#).

2.13. Always On (AON)

The Hardware (HW) AON block in LIFCL-33U is provided to support low power application, where the main FPGA device can be put in the power down state while the AON block continues to operate as a wake-up timer. The auxiliary power (always on power domain) to the AON block is provided by the dedicated V_{CCAUX_AON} supply rail. This is isolated from the rest of the FPGA power domain that can be turned off for low power applications. The AON_OUT output pin is provided to control the external power switch and AON_INT is provided to interrupt or to override the power down state. Both external signals follow the 1.8 V LVCNOS I/O standard. [Figure 2.24](#) shows the high-level block diagram with internal FPGA internal interface control signals for the AON block. [Table 2.13](#) provides the descriptions of the AON ports.

For more information, refer to [Always ON Module IP User Guide \(FPGA-IPUG-02216\)](#).

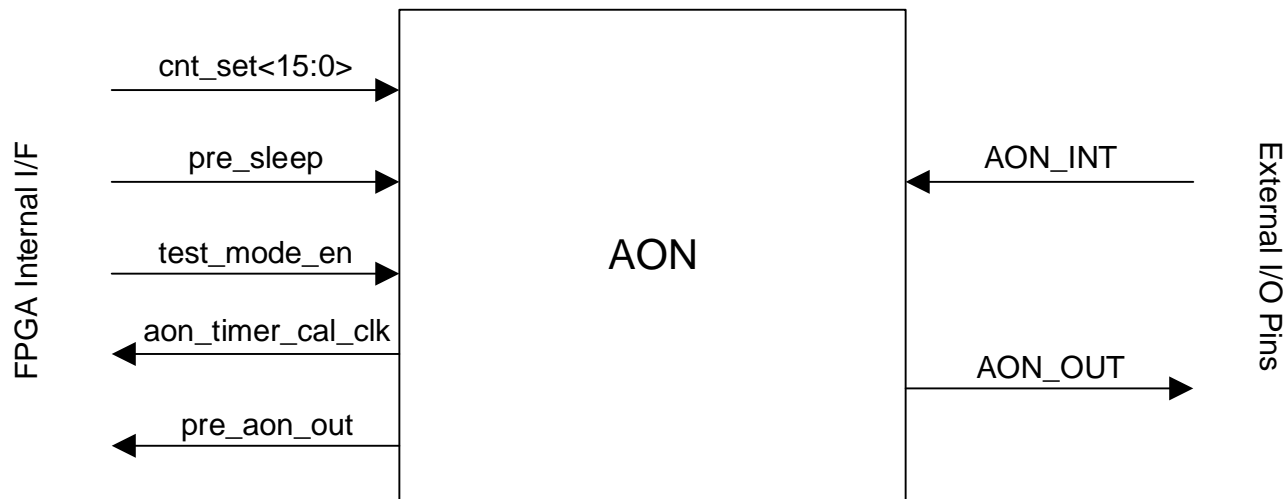


Figure 2.24. AON Functional Block Diagram

Table 2.13. AON Port Description

Interface	Port Names	In/Out to AON	Description
FPGA Internal I/F	cnt_set<15:0>	Input	Upon FPGA power up, this 16-bit AON timer counter value is used to set the AON wake up timer output (AON_OUT). Internal timer is running at 1 kHz nominal clock frequency
	pre_sleep	Input	This input from the FPGA logic is used to indicate to the AON to drive the AON_OUT low indicating that FPGA can be powered down.
	test_mode_en	Input	This input can be used to trigger AON test mode
	aon_time_cal_clk	Output	Internal AON timer clock output can be used for calibration. Nominal clock frequency is 16 kHz.
	pre_aon_out	Output	Internal test mode output before the AON_OUT external signal.
External	AON_INT	Input	Active high (AON_INT = 1) strobe signal to externally switch FPGA from power down state (AON_OUT=0) to power on state (AON_OUT=1)
	AON_OUT	Output	Always On output to control power regulator(s). FPGA Power Down=0; FPGA Power Up = 1

2.14. USB

The Hardened USB block in CrossLink-NX33U is designed to support device controller applications such as image sensor data transfer through USB 3.2 Gen 1 and I²C, GPIO, SPI control signals through USB 2.0. It can support USB 3.2 Gen 1 (5 Gbps) and USB 2.0 HS (480 Mbps), and FS (12 Mbps) modes. Internal interface consists of PIPE interface to AXI (Main) DMA data transfer for high-speed video applications. For control interface, internal UTMI data is translated to AHB (Secondary) and LMMI interface to FPGA fabric. The high-level block diagram of the USB hard IP is shown in [Figure 2.25](#).

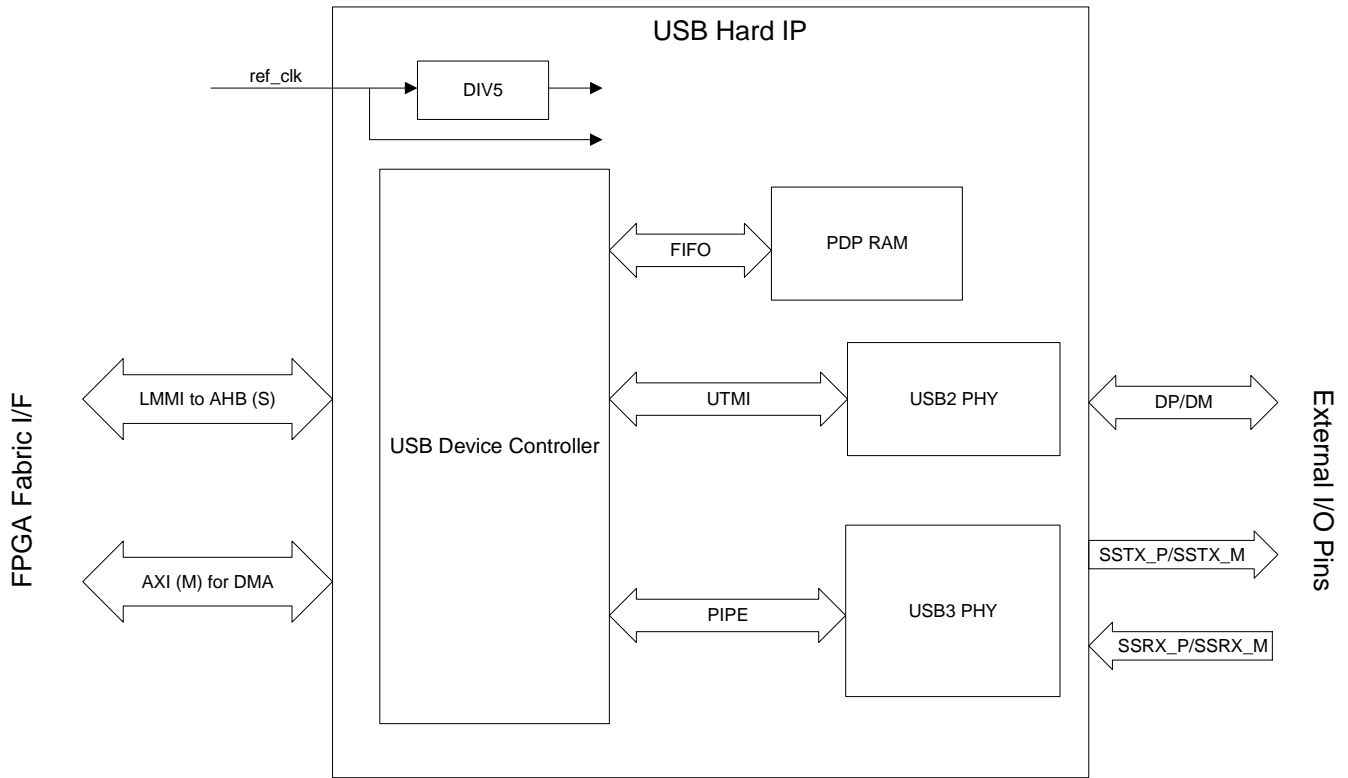


Figure 2.25. USB Hard IP Functional Block Diagram

2.14.1. USB Hardware Architecture

The typical device applications found in USB 3.2 Gen 1 and LIFCL-33U internal interface are described in this section. The following are the example USB applications:

- USB low speed I/O interface aggregation
- USB video class streaming

Figure 2.26 shows the internal interface block diagram.

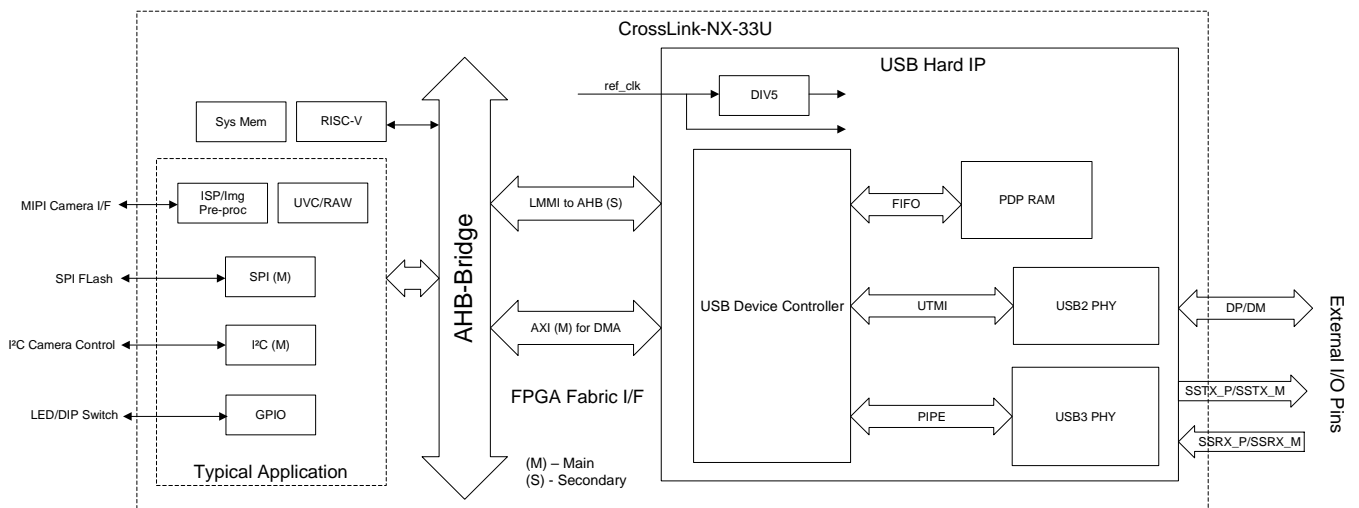


Figure 2.26. Typical USB Hardware Application Diagram

2.14.1.1. USB Device Controller:

The controller has the following interfaces:

- Application interfaces – AXI and LMMI per hard macro design. The secondary interface is LMMI used as control path for register and RAM debug access. The primary interface is AXI used as data path for internal DMA accessing external memory. The hard-macro has internal bridge to convert LMMI interface.
- FIFO interface is implemented in PDP RAM and used to access EP RAM per IP definition.
- The PHY interfaces (UTMI and PIPE) are transparent and integrated in Hard Macro.
- Infrastructure connection for clock, reset, debug and power. Refer to [Clock, Reset, Debug, and Power](#) section for more details.

2.14.1.2. Endpoints

The number of end points and packet sizes are user-configurable. [Table 2.14](#) provides the maximum number and types of EP and maximum packet sizes supported by each end points.

Table 2.14. USB Endpoint FIFO Size and Burst Size (Maximum Packet Size)

EP Type	FIFO Size		Burst size
Control BiDir	—		—
Bulk	4 kB		4x MPS
Bulk	4 kB		4x MPS
Isoc	4 kB		4x MPS
Isoc	4 kB		4x MPS
Interrupt	4 kB		4x MPS
Interrupt	256 B		—
Interrupt	256 B		—
Interrupt	256 B		—

2.14.1.3. Clock, Reset, Debug, and Power

- The following clocks need to be supplied per IP Databook:
 - AHB bus clock and RAM clock can be the same
 - U2MAC clock – same as UTMI clock
 - U3MAC clock – link clock, or same as pipe clock
 - Pipe clock – PHY interface clock
- Clock gating is enabled for low power device application.
- The USB device bus power is managed by the host controller (SoC) for LP PHY modes like P1/2/3 and link states like U1/2/3. The USB 2.0 mode enables LPM-L1 and suspend states to reduce the application power.

2.14.1.4. USB PHY

- Reference clock and DIV5 is implemented in hard-macro.
- Based on speed negotiation, only one PHY is active during connect and are mutually exclusive.

2.14.1.5. Application Fabric

- The application fabric could be AHB with the appropriate individual bridge (AHB to APB/AXI/LMMI) interface IP.
- Provides main (M) and secondary (S) nodes for all the controller interface with RISC-V.

2.14.1.6. RISC-V

- The core could be RISC-V MC SIP core with the Lattice Propel™ toolchain.
- The LRAMs are allocated for core system memory and as intermediate buffer to exchange data structures and payload between RISC-V and the controller such as USB, I²C, and SPI.

2.14.1.7. I/O Aggregation and Common Modules

- The standard IP from the library is used for I²C, SPI, and GPIO.
- The SPI (M) controller is mandatory for all USB applications to interface with the flash memory.
- The I²C (M) controller is used for I/O aggregation to interface with platform sensors like temperature sensor.
- The GPIO controller provides access to input (such as DIP switches) and output (LED) wires.

2.14.1.8. Camera streaming Modules

- The image preprocessing block provides the processed image which can be sent to the SoC imaging application. Two possible options are:
 - Typical image preprocessing functions provide downscaling and optionally apply digital gain, gamma, and other functions.
 - Optional standard ISP IP can be used for reference design to improve the image quality.
- There are two options for USB streaming:
 - UVC – This needs the controller IP to convert pixel data to USB video class stream through bulk or isochronous endpoints.
 - RAW streaming – this is custom streaming per Host RAW streaming driver requirement through bulk or isochronous endpoints.
- I²C primary controller is used as camera sensor programming interface.
- GPIO signal provides power and reset signals for camera sensor.

2.14.2. USB RISC-V Firmware Stack and Host Software Interface

Figure 2.27 shows the RISC-V Firmware (FW) stack and the Host Software (SW) interface with boot loader pointer to SPI Flash. The SPI Flash holds the FPGA bitfile (USB APP) and RISC-V FW. The FW stack can be bare metal or RTOS-based, with the module in the figure are applicable for corresponding to typical USB application design.

The USB peripheral driver provides the device application layer based on the application.

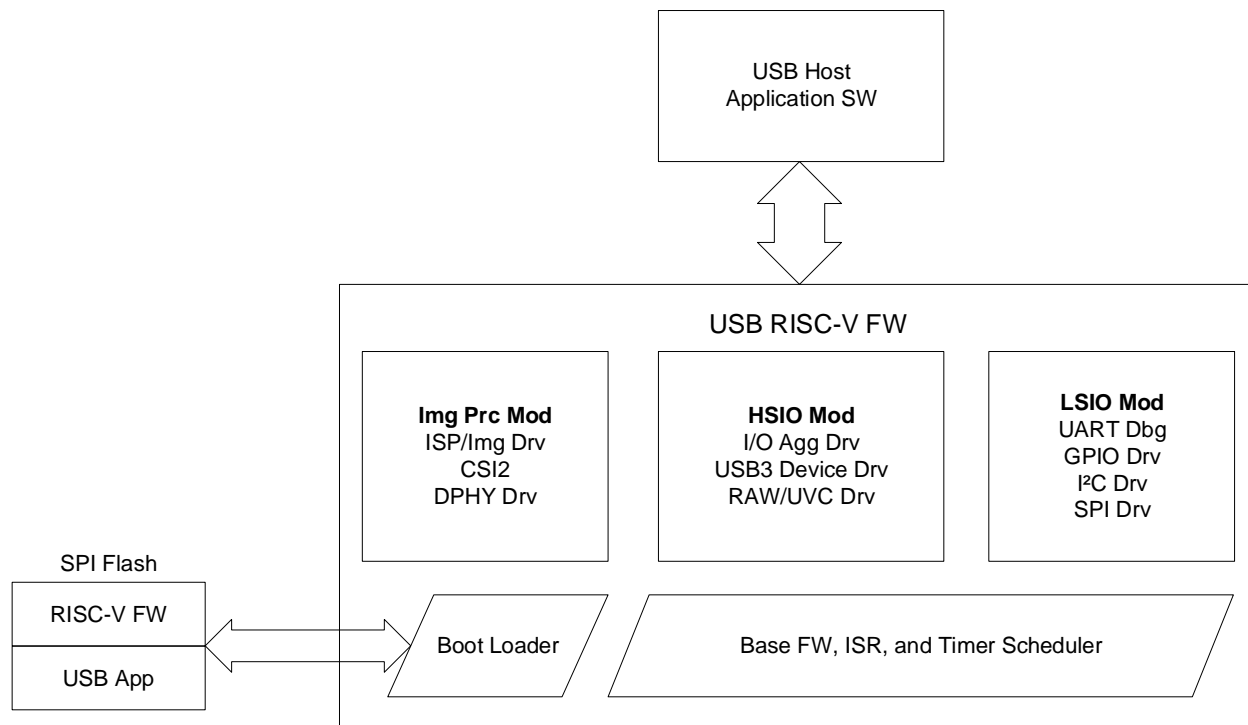


Figure 2.27. LIFCL-33U USB RISC-V Host FW Stack

For more information, refer to [USB 2.0/3.2 IP Core User Guide \(FPGA-IPUG-02237\)](#).

2.15. Device Configuration

All LIFCL-33/33U devices contain two ports that can be used for device configuration. The Test Access Port (TAP), which supports bit-wide configuration, and the sysCONFIG port, support serial, quad, and byte configuration. The TAP supports both the IEEE Standard 1149.1 Boundary Scan specification and the IEEE Standard 1532 In-System Configuration specification. JTAG_EN is the only dedicated configuration pin. *PPROGRAMN/INITN/DONE* are enabled by default but can be turned into GPIO. The remaining sysCONFIG pins are used as dual function pins. Refer to [sysCONFIG User Guide for Nexus Platform \(FPGA-TN-02099\)](#) for more information about using the dual-use pins as general purpose I/O.

There are various ways to configure the LIFCL-33/33U devices:

- JTAG (TAP)
- Master Serial Peripheral Interface (SPI) – to load from external SPI flash using x1, x2, or x4 (QSPI) interfaces.
- Inter-Integrated Circuit Bus (I²C)
- Improved Inter-Integrated Circuit Bus (I3C)
- Slave SPI from a system host
- Lattice Memory Mapped Interface (LMMI), refer to [sysI/O User Guide for Nexus Platform \(FPGA-TN-02067\)](#) for more details.
- JTAG, SSPI, MSPI, I²C, and I3C are supported for VCCIO = 1.8 V - 3.3 V

On power-up, based on the voltage level (high or low) of the PROGRAMN pin, the FPGA SRAM is configured by the appropriate sysCONFIG port. If PROGRAMN pin is *low*, the FPGA is in Slave configuration mode (Slave SPI, Slave I²C, or Slave I3C) and is waiting for the correct Slave Configuration port activation key. PROGRAMN must be driven high within 50 ns of the end of transmission of the Slave Configuration port activation key, that is, the deassertion of SCSN. If no slave port is declared active before the PROGRAMN pin is sensed HIGH, the FPGA is in Master SPI booting mode. In Master SPI booting mode, the FPGA boots from an external SPI flash. Once a configuration port is activated, it remains active throughout that configuration cycle. The IEEE 1149.1 port can be activated any time after power-up by enabling the JTAG_EN pin and sending the appropriate command through the TAP port.

2.15.1. Enhanced Configuration Options

LIFCL-33/33U devices have enhanced configuration features such as:

- Bitstream Decryption
- Decompression Support
- Watchdog Timer support
- Dual and Multi-boot image support

For more details, refer to [sysCONFIG User Guide for Nexus Platform \(FPGA-TN-02099\)](#).

The Watchdog Timer is a new configuration feature that helps the user to add a programmable timer option for timeout applications.

Dual-Boot and Multi-Boot Image Support

Dual-boot and multi-boot images are supported for applications requiring reliable remote updates of configuration data for the system FPGA. After the system is running with a basic configuration, a new boot image can be downloaded remotely and stored in a separate location in the configuration storage device. Any time after the update the LIFCL-33/33U devices can be re-booted from this new configuration file. If there is a problem, such as corrupt data during download or incorrect version number with this new boot image, the LIFCL-33/33U devices can revert to the original backup golden configuration and try again. This all can be done without power cycling the system. For more information, refer to [sysCONFIG User Guide for Nexus Platform \(FPGA-TN-02099\)](#).

2.16. Single Event Upset (SEU) Handling

The LIFCL-33/33U devices are unique in that the underlying technology used to build these devices is much more robust and less prone to soft errors.

The LIFCL-33/33U devices have an improved, hardware implemented, Soft Error Detection (SED) circuit which can be used to detect SRAM errors so they can be corrected. There are two layers of SED implemented in LIFCL-33/33U devices, making it more robust and reliable.

The SED hardware in LIFCL-33/33U devices is part of the Configuration block. The SED module in LIFCL-33/33U is an enhanced version as compared to the SED modules implemented in other Lattice devices. The configuration data is divided into frames so that the entire FPGA can be programmed precisely with ease. The SED hardware reads data from the FPGAs configuration memory and performs an Error Correcting Code (ECC) calculation on every frame of configuration data (see [Figure 2.2](#)). Once an error is detected, a notification is generated and SED resumes operation. For single bit errors, the corrected value is rewritten to the frame using ECC information. If more than one-bit error is detected within one frame of configuration data, an error message is generated. LIFCL-33/33U devices also have dedicated logic to perform Cycle Redundancy Code (CRC) checks for the entire bitstream, which runs in parallel along with ECC.

After the ECC is calculated on all frames of configuration data, CRC is calculated and checked for the entire bitstream. ECC and CRC checks do not include the contents of RAMs (EBR, Large RAM, and distributed RAM).

For further information on SED support, refer to [Soft Error Detection \(SED\)/Correction \(SEC\) User Guide for Nexus \(FPGA-TN-02076\)](#).

2.17. On-Chip Oscillator

The LIFCL-33/33U devices feature two on-chip oscillators. Both Oscillators are controlled with internally generated current. The low frequency oscillator (LFOSC) is tailored for low power operation and runs at a nominal frequency of 128 kHz. The LFOSC always runs and can be used to perform always on functions with the lowest possible power. The high frequency oscillator (HFOSC) runs at a nominal frequency of 450 MHz but can be divided down to a range of 256 MHz to 2 MHz by user attributes.

For more information, refer to [OSC Module User Guide \(FPGA-IPUG-02065\)](#).

2.18. User I²C IP

The LIFCL-33/33U devices have one hard I²C interface, which can be configured either as a master (controller) or a slave (target). The pins for the I²C interface are pre-assigned.

The interface core has the option to delay the either the input or the output data (SDA), or both, by 50 ns nominal, using dedicated on-chip delay elements. This provides an easier interface to any external I²C components. In addition, 50 ns glitch filters are available for both SDA and SCL.

When the IP interface is configured as master (controller), it is able to control other devices on the I²C bus through the pre-assigned pins. When the core is configured as a slave (responder), the device is able to provide, for example, I/O expansion to an I²C master (controller). The I²C core supports the following functionality:

- Master (controller) and Slave (target) operation
- 7-bit and 10-bit addressing
- Multi-master (controller) arbitration support
- Clock stretching
- Up to 1 MHz data transfer speed (Standard-Mode, Fast-Mode, Fast-Mode Plus)
- General Call support
- Optional receive and transmit data FIFOs with programmable sizes
- Optionally 50 ns delay on input or output data (SDA), or both
- Hard-Connection and Programmable I/O Connection Support
- Programmable to a mode compliant with I3C requirements on legacy I²C Slave Devices.
- Fast-Mode and Fast-Mode Plus Support
- Disabled Clock Stretching

- 50 ns SCL and SDA Glitch Filters
- Programmable 7-bit Address

For further information on the User I²C, refer to [I²C Hardened IP User Guide for Nexus Platform \(FPGA-TN-02142\)](#).

2.19. Trace ID

Each LIFCL-33/33U devices contain a unique (per device) TraceID that can be used for tracking purposes or for IP security applications. The TraceID is 64 bits long. Eight out of 64 bits are user-programmable, the remaining 56 bits are factory-programmed. The TraceID is accessible through the SPI, I²C, or JTAG interfaces. For further information on TraceID, refer to [Using TraceID \(FPGA-TN-02084\)](#).

2.20. Cryptographic Engine

The LIFCL-33/33U family of devices support several cryptographic features that helps customer secure their design. Some of the key cryptographic features include Advanced Encryption Standard (AES), Hashing Algorithms and true random number generator (TRNG). The LIFCL-33/33U devices also feature bitstream encryption (using AES-256), used for protecting confidential FPGA bitstream data, and bitstream authentication (using ECDSA), which maintains bitstream integrity and protects the FPGA design bitstream from copying and tampering.

The Cryptographic Engine (CRE) is the main engine, which is responsible for the bitstream encryption as well as authentication of the LIFCL-33/33U devices. Once the bitstream is authenticated and the device is ready for user functions, the CRE is available for users to implement various cryptographic functions in the FPGA design. To enable specific cryptographic function, the CRE must be configured by setting a few registers.

The Cryptographic Engine supports the below user-mode features:

- True Random Number generator (TRNG)
- Secure Hashing Algorithm (SHA)-256 bit
- Message authentication codes (MACs) – HMAC
- Lattice Memory Mapped Interface (LMMI) interface to user logic
- High Speed Port (HSP) for FIFO-based streaming data transfer

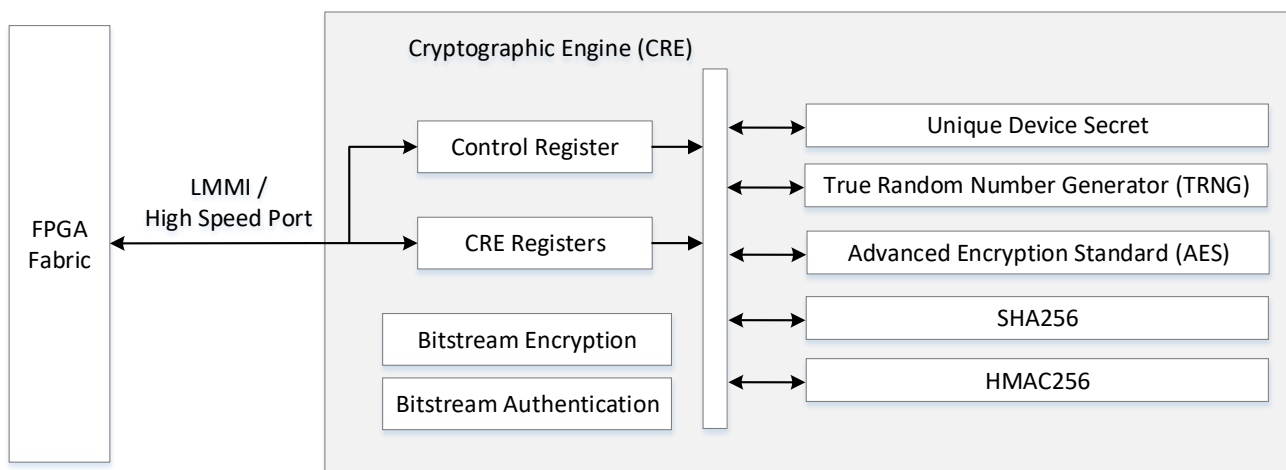


Figure 2.28. Cryptographic Engine Block Diagram

3. DC and Switching Characteristics for Commercial and Industrial

All specifications in this chapter are characterized within recommended operating conditions unless otherwise specified.

3.1. Absolute Maximum Ratings

Table 3.1. Absolute Maximum Ratings

Symbol	Parameter	Min	Max	Unit
V_{CC}, V_{CCCLK}	Supply Voltage	-0.5	1.10	V
$V_{CCAUX}, V_{CCAUXA}, V_{CCAUXH2}, V_{CCAUXH3}, V_{CCAUXH4}, V_{CCAUX_AON}^5$	Supply Voltage	-0.5	1.98	V
$V_{CCIO0, 1, 5}$	I/O Supply Voltage	-0.5	3.63	V
$V_{CCIO2, 3, 4}$	I/O Supply Voltage	-0.5	1.98	V
AVDD33 ⁵	Supply Voltage for Hardened USB ⁵	-0.5	3.63	V
AVDD18, AVDD18_TX, AVDD18_COM ⁵	Supply Voltage for Hardened USB	-0.5	1.98	V
AVDD, AVDD_TX ⁵	Supply Voltage for Hardened USB	-0.5	1.10	V
—	Input or I/O Voltage Applied, Bank 0, Bank 1, Bank 5 ⁶	-0.5	3.63	V
—	Input or I/O Voltage Applied, Bank 2, Bank 3, Bank 4	-0.5	1.98	V
T_A	Storage Temperature (Ambient)	-65	+150	°C
T_J	Junction Temperature	—	+125	°C

Notes:

1. Stress above those listed under the *Absolute Maximum Ratings* may cause permanent damage to the device. Functional operation of the device at these or any other conditions above those indicated in the operational sections of this specification is not implied.
2. Compliance with the Lattice [Thermal Management](#) document is required.
3. All voltages referenced to GND.
4. All V_{CCAUX} should be connected on PCB.
5. V_{CCAUX_AON} and all AVDD are only supported in LIFCL-33U.
6. Bank 5 is only supported in LIFCL-33.

3.2. Recommended Operating Conditions^{1, 2, 3}

Table 3.2. Recommended Operating Conditions

Symbol	Parameter	Conditions	Min	Typ.	Max	Unit
V_{CC}, V_{CCECLK}	Core Supply Voltage	$V_{CC} = 1.0$	0.95	1.00	1.05	V
V_{CCAUX}	Auxiliary Supply Voltage	Bank 0, Bank 1, Bank 5 ⁶	1.71	1.80	1.89	V
$V_{CCAUXH2/3/4}$	Auxiliary Supply Voltage	Bank 2, Bank 3, Bank 4	1.71	1.80	1.89	V
$V_{CCAUXA}, V_{CCAUX_AON}$ ⁵	Auxiliary Supply Voltage for core logic and AON	—	1.71	1.80	1.89	V
AVDD33 ⁵	Supply Voltage for Hardened USB ⁵	—	3.135	3.30	3.465	V
AVDD18, AVDD18_TX, AVDD18_COM ⁵	Supply Voltage for Hardened USB	—	1.71	1.80	1.89	V
AVDD, AVDD_TX ⁵	Supply Voltage for Hardened USB	—	0.95	1.00	1.05	V
V_{CCIO}	I/O Driver Supply Voltage	$V_{CCIO} = 3.3$ V, Bank 0, Bank 1, Bank 5 ⁶	3.135	3.30	3.465	V
		$V_{CCIO} = 2.5$ V, Bank 0, Bank 1, Bank 5 ⁶	2.375	2.50	2.625	V
		$V_{CCIO} = 1.8$ V, All Banks	1.71	1.80	1.89	V
		$V_{CCIO} = 1.5$ V, All Banks ⁴	1.425	1.50	1.575	V
		$V_{CCIO} = 1.2$ V, All Banks ⁴	1.14	1.20	1.26	V
		$V_{CCIO} = 1.0$ V, Bank 2, Bank 3, Bank 4	0.95	1.00	1.05	V
Operating Temperature						
t_{JCOM}	Junction Temperature, Commercial Operation	—	0	—	85	°C
t_{JIND}	Junction Temperature, Industrial Operation	—	-40	—	100	°C

Notes:

- For correct operation, all supplies must be held in their valid operation voltage range.
- All supplies with same voltage should be from the same voltage source. Proper isolation filters are needed to properly isolate noise from each other.
- Common supply rails must be tied together.
- MSPI (Bank0) and JTAG, SSPI, I²C, and I3C (Bank 1) ports are supported for $V_{CCIO} = 1.8$ V to 3.3 V.
- V_{CCAUX_AON} and all AVDD are only supported in LIFCL-33U.
- Bank 5 is only supported in LIFCL-33.

3.3. Power Supply Ramp Rates²

Table 3.3. Power Supply Ramp Rates

Symbol	Parameter	Min	Typ	Max	Unit
t_{RAMP}	Power Supply ramp rates for all supplies ¹	0.1	—	50	V/ms

Notes:

- Assumes monotonic ramp rates.
- All supplies need to be in the operating range as defined in [Recommended Operating Conditions](#), when the device has completed configuration and entering User Mode. Supplies that are not in the operating range needs to be adjusted to faster ramp rate, or users must delay configuration or wake up.

3.4. Power up Sequence

Power-On-Reset (POR) puts the LIFCL-33/33U devices into a reset state. There is no power up sequence required for the LIFCL-33/33U devices.

Table 3.4. Power-On Reset

Symbol	Parameter	Min	Typ	Max	Unit	
V_{PORUP}	Power-On-Reset ramp-up trip point (Monitoring V_{CC} , V_{CCAUX} , V_{CCI00} , and V_{CCI01})	V_{CC}	0.73	—	0.83	V
		V_{CCAUX}	1.34	—	1.62	V
		V_{CCI00}, V_{CCI01}	0.89	—	1.05	V
V_{PORDN}	Power-On-Reset ramp-up trip point (Monitoring V_{CC} and V_{CCAUX})	V_{CC}	0.51	—	0.81	V
		V_{CCAUX}	1.38	—	1.59	V

3.5. On-Chip Programmable Termination

The LIFCL-33/33U devices support a variety of programmable on-chip terminations options, including:

- Dynamically switchable Single-Ended Termination with programmable resistor values of 40 Ω , 50 Ω , 60 Ω , or 75 Ω .
- Common mode termination of 100 Ω for differential inputs.

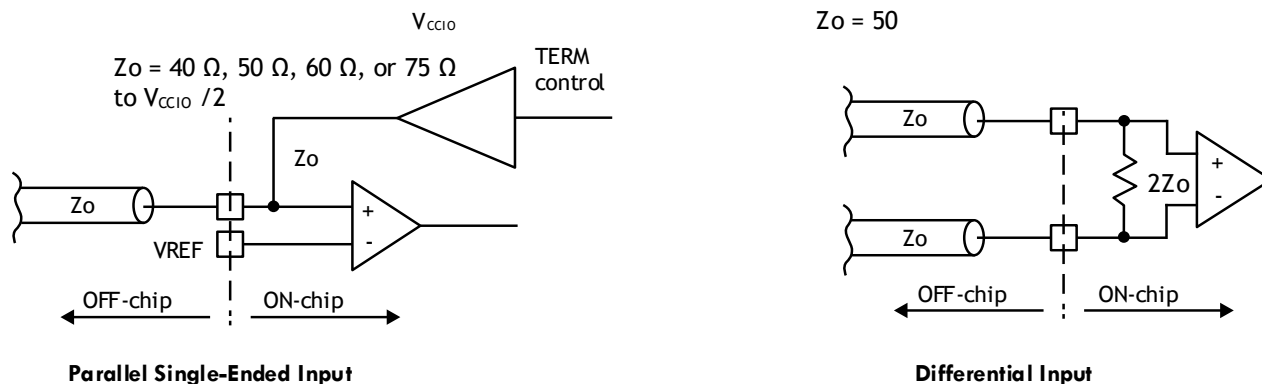


Figure 3.1. On-Chip Termination

See [Table 3.5](#) for termination options for input modes.

Table 3.5. On-Chip Termination Options for Input Modes

IO_TYPE	Differential Termination Resistor ¹	Terminate to $V_{CCIO}/2$ ¹
subLVDS	100, OFF	OFF
SLVS	100, OFF	OFF
MIPI_DPHY	100	OFF
HSTL15D_I	100, OFF	OFF
LVC MOS15H	OFF	OFF
LVC MOS12H	OFF	OFF
LVC MOS10H	OFF	OFF
LVC MOS12H	OFF	OFF
LVC MOS10H	OFF	OFF
LVC MOS18H	OFF	OFF, 40, 50, 60, 75
HSTL15_I	OFF	50

Note:

- Use of TERMINATE to $V_{CCIO}/2$ and DIFFERENTIAL TERMINATION RESISTOR are mutually exclusive in an I/O bank. On-chip termination tolerance $-10\%/+60\%$.

Refer to [sysI/O User Guide for Nexus Platform \(FPGA-TN-02067\)](#) for on-chip termination usage and value ranges.

3.6. Hot Socketing Specifications

Table 3.6. Hot Socketing Specifications for GPIO

Symbol	Parameter	Condition	Min	Typ	Max	Unit
I_{DK}	Input or I/O Leakage Current for Wide Range I/O (excluding MCLK/MCSN/MOSI/INITN/DONE)	$0 < V_{IN} < V_{IH} \text{ (max)}$ $0 < V_{CC} < V_{CC} \text{ (max)}$ $0 < V_{CCIO} < V_{CCIO} \text{ (max)}$ $0 < V_{CCAUX} < V_{CCAUX} \text{ (max)}$	-1.5	—	1.5	mA

Notes:

- I_{DK} is additive to I_{PU} , I_{PD} , or I_{BH} .
- Hot socketing specs are defined at a device junction temperature of 85 °C or below. When the device junction temperature is above 85 °C, the I_{DK} current can exceed the above spec.
- Going beyond the hot socketing ranges specified here will cause exponentially higher Leakage currents and potential reliability issues. A total of 64 mA per 8 I/O should not be exceeded.

3.7. ESD Performance

Refer to the LIFCL-33/33U Product Family Qualification Summary for complete Commercial and Industrial grade qualification data, including ESD performance.

3.8. DC Electrical Characteristics

Table 3.7. DC Electrical Characteristics – Wide Range

Symbol	Parameter	Condition	Min	Typ	Max	Unit
I_{IL}, I_{IH}^1	Input or I/O Leakage current (Commercial/Industrial)	$0 \leq V_{IN} \leq V_{CCIO}$	—	—	10	μA
I_{IH}^2	Input or I/O Leakage current	$V_{CCIO} \leq V_{IN} \leq V_{IH} (max)$	—	—	100	μA
I_{PU}	I/O Weak Pull-up Resistor Current	$0 \leq V_{IN} \leq 0.7 \times V_{CCIO}$	-30	—	-150	μA
I_{PD}	I/O Weak Pull-down Resistor Current	$V_{IL} (max) \leq V_{IN} \leq V_{CCIO}$	30	—	150	μA
I_{BHLS}	Bus Hold Low Sustaining Current	$V_{IN} = V_{IL} (max)$	30	—	—	μA
I_{BHHS}	Bus Hold High Sustaining Current	$V_{IN} = 0.7 \times V_{CCIO}$	-30	—	—	μA
I_{BHLO}	Bus hold low Overdrive Current	$0 \leq V_{IN} \leq V_{CCIO}$	—	—	150	μA
I_{BHHO}	Bus hold high Overdrive Current	$0 \leq V_{IN} \leq V_{CCIO}$	—	—	-150	μA
V_{BHT}	Bus Hold Trip Points	—	$V_{IL} (max)$	—	$V_{IH} (min)$	V

Notes:

1. Input or I/O leakage current is measured with the pin configured as an input or as an I/O with the output tristated. Bus Maintenance circuits are disabled.
2. The input leakage current I_{IH} is the worst-case input leakage per GPIO when the pad signal is high and also higher than the bank V_{CCIO} . This is considered a mixed mode input.

Table 3.8. DC Electrical Characteristics – High Speed

Symbol	Parameter	Condition	Min	Typ	Max	Unit
I_{IL}, I_{IH}^1	Input or I/O Leakage	$0 \leq V_{IN} \leq V_{CCIO}$	—	—	10	μA
I_{PU}	I/O Weak Pull-up Resistor Current	$0 \leq V_{IN} \leq 0.7 \times V_{CCIO}$	-30	—	-150	μA
I_{PD}	I/O Weak Pull-down Resistor Current	$V_{IL} (max) \leq V_{IN} \leq V_{CCIO}$	30	—	150	μA
I_{BHLS}	Bus Hold Low Sustaining Current	$V_{IN} = V_{IL} (max)$	30	—	—	μA
I_{BHHS}	Bus Hold High Sustaining Current	$V_{IN} = 0.7 \times V_{CCIO}$	-30	—	—	μA
I_{BHLO}	Bus hold low Overdrive Current	$0 \leq V_{IN} \leq V_{CCIO}$	—	—	150	μA
I_{BHHO}	Bus hold high Overdrive Current	$0 \leq V_{IN} \leq V_{CCIO}$	—	—	-150	μA
V_{BHT}	Bus Hold Trip Points	—	$V_{IL} (max)$	—	$V_{IH} (min)$	V

Note:

1. Input or I/O leakage current is measured with the pin configured as an input or as an I/O with the output tri-stated. Bus Maintenance circuits are disabled.

Table 3.9. Capacitors – Wide Range

Symbol	Parameter	Condition	Min	Typ	Max	Unit
C_1^1	I/O Capacitance ¹	$V_{CCIO} = 3.3 V, 2.5 V, 1.8 V, 1.5 V, 1.2 V,$ $V_{CC} = typ., V_{IO} = 0 \text{ to } V_{CCIO} + 0.2V$	—	6	—	pF
C_2^1	Dedicated Input Capacitance ¹	$V_{CCIO} = 3.3 V, 2.5 V, 1.8 V, 1.5 V, 1.2 V,$ $V_{CC} = typ., V_{IO} = 0 \text{ to } V_{CCIO} + 0.2V$	—	6	—	pF

Note:

1. $T_A = 25^\circ C, f = 1.0 \text{ MHz}.$

Table 3.10. Capacitors – High Performance

Symbol	Parameter	Condition	Min	Typ	Max	Unit
C ₁ ¹	I/O Capacitance ¹	V _{CCIO} = 1.8 V, 1.5 V, 1.2 V, V _{CC} = typ., V _{IO} = 0 to V _{CCIO} + 0.2V	—	6	—	pF
C ₂ ¹	Dedicated Input Capacitance ¹	V _{CCIO} = 1.8 V, 1.5 V, 1.2 V, V _{CC} = typ., V _{IO} = 0 to V _{CCIO} + 0.2V	—	6	—	pF
C ₃ ¹	D-PHY I/O Capacitance	V _{CCA_D-PHY} = 1.8 V, V _{CC} = typ., V _{IO} = 0 to V _{CCA_D-PHY} + 0.2V	—	5	—	pF

Note:

1. T_A = 25 °C, f = 1.0 MHz.

Table 3.11. Single Ended Input Hysteresis – Wide Range

IO_TYPE	VCCIO	TYP Hysteresis
LVC MOS33	3.3 V	250 mV
LVC MOS25	3.3 V	200 mV
	2.5 V	250 mV
LVC MOS18	1.8 V	180 mV
LVC MOS15	1.5 V	50 mV
LVC MOS12	1.2 V	0
LVC MOS10	1.2 V	0

Table 3.12. Single Ended Input Hysteresis – High Performance

IO_TYPE	VCCIO	TYP Hysteresis
LVC MOS18H	1.8 V	180 mV
LVC MOS15H	1.8 V	50 mV
	1.5 V	150 mV
LVC MOS12H	1.2 V	0
LVC MOS10H	1.0 V	0
MIPI-LP-RX	1.2 V	>25 mV

3.9. Supply Currents

For estimating and calculating current, use Power Calculator in the Lattice Design software.

This operating and peak current is design dependent and can be calculated in the Lattice Design software. Some blocks can be placed into low current standby modes. Refer to [Power Management and Calculation for CrossLink-NX Devices \(FPGA-TN-02075\)](#).

3.10. sysI/O Recommended Operating Conditions

Table 3.13. sysI/O Recommended Operating Conditions

Standard	Support Banks	V _{CCIO} (Input)	V _{CCIO} (Output)
		Typ.	Typ.
Single-Ended			
LVC MOS33	0, 1, 5	3.3	3.3
LV TTL33	0, 1, 5	3.3	3.3
LVC MOS25 ^{1, 2}	0, 1, 5	2.5, 3.3	2.5
LVC MOS18 ^{1, 2}	0, 1, 5	1.2, 1.5, 1.8, 2.5, 3.3	1.8
LVC MOS18H	2, 3, 4	1.8	1.8
LVC MOS15 ^{1, 2}	0, 1, 5	1.2, 1.5, 1.8, 2.5, 3.3	1.5
LVC MOS15H ¹	2, 3, 4	1.5, 1.8	1.5
LVC MOS12 ^{1, 2}	0, 1, 5	1.2, 1.5, 1.8, 2.5, 3.3	1.2
LVC MOS12H ¹	2, 3, 4	1.2, 1.35, 1.5, 1.8	1.2
LVC MOS10 ¹	0, 1, 5	1.2, 1.5, 1.8, 2.5, 3.3	—
LVC MOS10H ¹	2, 3, 4	1.0, 1.2, 1.35, 1.5, 1.8	1.0
LVC MOS10R ¹	2, 3, 4	1.0, 1.2, 1.35, 1.5, 1.8	—
HSTL15_I ³	2, 3, 4	1.5 ⁷	1.5 ⁷
MIPI D-PHY LP Input ⁶	2, 3, 4	1.2	1.2
Differential⁶			
LVDS	2, 3, 4	1.2, 1.35, 1.5, 1.8	1.8
LVDSE ⁵	0, 1, 5	—	2.5
subLVDS	2, 3, 4	1.2, 1.35, 1.5, 1.8	—
subLVDSE ⁵	0, 1, 5	—	1.8
subLVDSEH ⁵	2, 3, 4	—	1.8
SLVS ⁶	2, 3, 4	1.0, 1.2, 1.35, 1.5, 1.8 ⁴	1.2, 1.35, 1.5, 1.8 ⁴
MIPI_DPHY ⁶	2, 3, 4	1.2	1.2
LVC MOS33D ⁵	0, 1, 5	—	3.3
LV TTL33D ⁵	0, 1, 5	—	3.3
LVC MOS25D ⁵	0, 1, 5	—	2.5
HSTL15D_I ⁵	2, 3, 4	—	1.5

Notes:

- Single-ended input can mix into I/O Banks with V_{CCIO} different from the standard requires due to some of these input standards use internal supply voltage source (V_{CC}, V_{CCAUX}) to power the input buffer, which makes them to be independent of V_{CCIO} voltage. For more details, please refer to [sysI/O User Guide for Nexus Platform \(FPGA-TN-02067\)](#). The following is a brief guideline to follow:
 - Weak pull-up on the I/O must be set to OFF.
 - Bank 2, Bank 3, and Bank 4 I/O can only mix into banks with V_{CCIO} higher than the pin standard, due to clamping diode on the pin in these banks. Bank 0 and Bank 1 does not have this restriction.
 - LVC MOS25 uses V_{CCIO} supply on input buffer in Bank 0, Bank 1, and Bank 5. It can be supported with V_{CCIO} = 3.3 V to meet the V_{IH} and V_{IL} requirements, but there is additional current drawn on V_{CCIO}. Hysteresis has to be disabled when using 3.3 V supply voltage.
 - LVC MOS15 uses V_{CCIO} supply on input buffer in Bank 2, Bank 3, and Bank 4. It can be supported with V_{CCIO} = 1.8 V to meet the V_{IH} and V_{IL} requirements, but there is additional current drawn on V_{CCIO}.
- Single-ended LVC MOS inputs can mixed into I/O Banks with different V_{CCIO}, providing weak pull-up is not used. For additional information on Mixed I/O in Bank V_{CCIO}, refer to [sysI/O User Guide for Nexus Platform \(FPGA-TN-02067\)](#).
- These inputs use differential input comparator in Bank 2, Bank 3, and Bank 4. The differential input comparator uses V_{CCAUXH} power supply. These inputs require the V_{REF} pin to provide the reference voltage in the Bank. Refer to [sysI/O User Guide for Nexus Platform \(FPGA-TN-02067\)](#) for details.
- All differential inputs use differential input comparator in Bank 2, Bank 3, and Bank 4. The differential input comparator uses V_{CCAUXH} power supply. There is no differential input signaling supported in Bank 0, Bank 1, and Bank 5.

5. These outputs are emulating differential output pair with single-ended output drivers with true and complement outputs driving on each of the corresponding true and complement output pair pins. The common mode voltage, V_{CM} , is $\frac{1}{2} \times V_{CCIO}$. Refer to [sysl/O User Guide for Nexus Platform \(FPGA-TN-02067\)](#) for details.
6. Soft MIPI D-PHY HS using sysl/O is supported with SLVS input and output that can be placed in banks with V_{CCIO} voltage shown in SLVS. D-PHY with HS and LP modes supported needs to be placed in banks with V_{CCIO} voltage = 1.2 V. Soft MIPI D-PHY LP input and output using sysl/O are supported with LVCMOS12.
7. LVCMOS15 input uses V_{CCIO} supply voltage. If V_{CCIO} is 1.8 V, the DC levels for LVCMOS15 are still met, but there could be increase in input buffer current.

3.11. sysl/O Single-Ended DC Electrical Characteristics³

Table 3.14. sysl/O DC Electrical Characteristics – Wide Range I/O

Input/Output Standard	V_{IL}		V_{IH}		V_{OL} Max (V)	V_{OH} Min (V)	I_{OL} (mA)	I_{OH} (mA)
	Min (V)	Max (V)	Min (V)	Max (V)				
LVTTTL33 LVCMOS33	—	0.8	2.0	3.465 ⁴	0.4	$V_{CCIO} - 0.4$	2, 4, 8, 12, "50RS" ³	-2, -4, -8, -12, "50RS" ³
					0.48	$V_{CCIO} - 0.52$	16	-16
LVCMOS25	—	0.7	1.7	3.465 ⁴	0.4	$V_{CCIO} - 0.45$	2, 4, 8,	-2, -4, -8
						$V_{CCIO} - 0.60$	10	-10
						$V_{CCIO} - 0.64$	"50RS" ³	"50RS" ³
LVCMOS18	—	$0.35 \times V_{CCIO}$	$0.65 \times V_{CCIO}$	3.465 ⁴	0.4	$V_{CCIO} - 0.45$	2, 4, 8, "50RS" ³	-2, -4, -8, "50RS" ³
LVCMOS15	—	$0.35 \times V_{CCIO}$	$0.65 \times V_{CCIO}$	3.465 ⁴	0.4	$V_{CCIO} - 0.4$	2, 4	-2, -4
LVCMOS12	—	$0.35 \times V_{CCIO}$	$0.65 \times V_{CCIO}$	3.465 ⁴	0.4	$V_{CCIO} - 0.4$	2, 4	-2, -4
LVCMOS10	—	$0.35 \times V_{CCIO}$	$0.65 \times V_{CCIO}$	3.465 ⁴	No O/P Support			

Notes:

1. For electro-migration, the average DC current drawn by the I/O pads within a bank of I/O shall not exceed 10 mA per I/O average.
2. For the types of I/O standard supported in which bank, refer to [sysl/O User Guide for Nexus Platform \(FPGA-TN-02067\)](#) for details.
3. Select "50RS" in driver strength is selecting 50 Ω series impedance driver.
4. V_{IH} (MAX) for inputs on these standards (in Bank 0, Bank 1, and Bank 5) can go up to 3.465 V if the input clamp is OFF. Otherwise, the input cannot be higher than $V_{CCIO} + 0.3$ V.

Table 3.15. sysI/O DC Electrical Characteristics – High Performance I/O³

Input/Output Standard	V _{IL}		V _{IH}		V _{OL} Max (V)	V _{OH} Min (V)	I _{OL} (mA)	I _{OH} (mA)
	Min (V)	Max (V)	Min (V)	Max (V)				
LVC MOS18H	—	0.35 × V _{CCIO}	0.65 × V _{CCIO}	V _{CCIO} + 0.3	0.4	V _{CCIO} – 0.45	2, 4, 8, 12, "50RS" ³	-2, -4, -8, -12, "50RS" ³
LVC MOS15H	—	0.35 × V _{CCIO}	0.65 × V _{CCIO}	V _{CCIO} + 0.3	0.4	V _{CCIO} – 0.4	2, 4, 8, "50RS" ³	-2, -4, -8, "50RS" ³
LVC MOS12H	—	0.35 × V _{CCIO}	0.65 × V _{CCIO}	V _{CCIO} + 0.3	0.4	V _{CCIO} – 0.4	2, 4, 8, "50RS" ³	-2, -4, -8, "50RS" ³
LVC MOS10H	—	0.35 × V _{CCIO}	0.65 × V _{CCIO}	V _{CCIO} + 0.3	0.27 × V _{CCIO}	0.75 × V _{CCIO}	2, 4	-2, -4
HSTL15_I	—	V _{REF} – 0.10	V _{REF} + 0.15	V _{CCIO} + 0.3	0.40	V _{CCIO} – 0.40	8	–8
LVC MOS10R	—	V _{REF} – 0.10	V _{REF} + 0.10	V _{CCIO} + 0.3	—	—	—	—

Notes:

1. For electro-migration, the average DC current drawn by the I/O pads within a bank of I/O shall not exceed 10 mA per I/O average.
2. For the types of I/O standard supported in which bank, refer to [sysI/O User Guide for Nexus Platform \(FPGA-TN-02067\)](#) for details.
3. Select "50RS" in driver strength is selecting 50 Ω series impedance driver.

Table 3.16. I/O Resistance Characteristics

Parameter	Description	Test Conditions	Min	Typ	Max	Unit
50RS	Output Drive Resistance when 50RS Drive Strength Selected	V _{CCIO} = 1.8 V, 2.5 V, or 3.3 V	—	50	—	Ω
R _{DIFF}	Input Differential Termination Resistance	Bank 2, Bank 3, and Bank 4 for I/O selected to be differential	—	100	—	Ω
SE Input Termination	Input Single Ended Termination Resistance	Bank 2, Bank 3, and Bank 4 for I/O selected to be Single Ended	36	40	64	Ω
			46	50	80	
			56	60	96	
			67	75	120	

Table 3.17. V_{IN} Maximum Overshoot/Undershoot Allowance – Wide Range^{1, 2}

AC Voltage Overshoot	% of UI at -40 °C to 100 °C	AC Voltage Undershoot	% of UI at -40 °C to 100 °C
$V_{CCIO} + 0.4$	100.0%	-0.4	100.0%
$V_{CCIO} + 0.5$	100.0%	-0.5	44.2%
$V_{CCIO} + 0.6$	94.0%	-0.6	10.1%
$V_{CCIO} + 0.7$	21.0%	-0.7	1.3%
$V_{CCIO} + 0.8$	10.2%	-0.8	0.3%
$V_{CCIO} + 0.9$	2.5%	-0.9	0.1%

Notes:

1. The peak overshoot or undershoot voltage and the duration above $V_{CCIO} + 0.2$ V or below $GND - 0.2$ V must not exceed the values in this table.
2. For UI less than 20 μ s.

Table 3.18. V_{IN} Maximum Overshoot/Undershoot Allowance – High Performance^{1, 2}

AC Voltage Overshoot	% of UI at -40 °C to 100 °C	AC Voltage Undershoot	% of UI at -40 °C to 100 °C
$V_{CCIO} + 0.5$	100.0%	-0.5	100.0%
$V_{CCIO} + 0.6$	47.3%	-0.6	47.3%
$V_{CCIO} + 0.7$	10.9%	-0.7	10.9%
$V_{CCIO} + 0.8$	2.7%	-0.8	2.7%
$V_{CCIO} + 0.9$	0.7%	-0.9	0.7%

Notes:

1. The peak overshoot or undershoot voltage and the duration above $V_{CCIO} + 0.2$ V or below $GND - 0.2$ V must not exceed the values in this table.
2. For UI, less than 20 μ s.

3.12. sysI/O Differential DC Electrical Characteristics

3.12.1. LVDS

LVDS input buffer on LIFCL-33/33U is powered by $V_{CCAUX} = 1.8$ V, and protected by the bank V_{CCIO} . Therefore, the LVDS input voltage cannot exceed the bank V_{CCIO} voltage. LVDS output buffer is powered by the Bank V_{CCIO} at 1.8 V.

LVDS can only be supported in Bank 2, Bank 3, and Bank 4. LVDS25 output can be emulated with LVDS25E in Bank 0, Bank 1, and Bank 5. This is described in [LVDS25E \(Output Only\)](#) section.

Table 3.19. LVDS DC Electrical Characteristics¹

Parameter	Description	Test Conditions	Min	Typ	Max	Unit
V_{INP}, V_{INM}	Input Voltage	—	0	—	1.60 ³	V
V_{ICM}	Input Common Mode Voltage	Half the sum of the two Inputs	0.05	—	1.55 ²	V
V_{THD}	Differential Input Threshold	Difference between the two Inputs	± 100	—	—	mV
I_{IN}	Input Current	Power On or Power Off	—	—	± 10	μ A
V_{OH}	Output High Voltage for V_{OP} or V_{OM}	$R_T = 100 \Omega$	—	1.425	1.60	V
V_{OL}	Output Low Voltage for V_{OP} or V_{OM}	$R_T = 100 \Omega$	0.9 V	1.075	—	V
V_{OD}	Output Voltage Differential	$(V_{OP} - V_{OM}), R_T = 100 \Omega$	250	350	450	mV
ΔV_{OD}	Change in V_{OD} Between High and Low	—	—	—	50	mV
V_{OCM}	Output Common Mode Voltage	$(V_{OP} + V_{OM})/2, R_T = 100 \Omega$	1.125	1.25	1.375	V
ΔV_{OCM}	Change in $V_{OCM}, V_{OCM(MAX)} - V_{OCM(MIN)}$	—	—	—	50	mV
I_{SAB}	Output Short Circuit Current	$V_{OD} = 0$ V Driver outputs shorted to each other	—	—	12	mA
ΔV_{OS}	Change in V_{OS} between H and L	—	—	—	50	mV

Notes:

1. LVDS input or output are supported in Bank 2, Bank 3, and Bank 4. LVDS input uses V_{CCAUX} on the differential input comparator and can be in any V_{CCIO} voltage bank. LVDS output uses V_{CCIO} on the differential output driver, and can only be in bank with $V_{CCIO} = 1.8\text{ V}$.
2. V_{ICM} is depending on V_{ID} , input differential voltage, so the voltage on pin cannot exceed $V_{INP/INM (min/max)}$ requirements. $V_{ICM(min)} = V_{INP/INM(min)} + \frac{1}{2} V_{ID}$, $V_{ICM(max)} = V_{INP/INM (max)} - \frac{1}{2} V_{ID}$. Values in the table is based on minimum V_{ID} of +/- 100 mV.
3. V_{INP} and $V_{INM (max)}$ must be less than or equal to V_{CCIO} in all cases.

3.12.2. LVDS25E (Output Only)

The top side of the LIFCL-33/33U devices support LVDS25 outputs with emulated complementary LVCMOS outputs in conjunction with a parallel resistor across the driver outputs. The scheme shown in Figure 3.2 is one possible solution for point-to-point signals.

Table 3.20. LVDS25E DC Conditions

Parameter	Description	Typical	Unit
V_{CCIO}	Output Driver Supply ($\pm 5\%$)	2.50	V
Z_{OUT}	Driver Impedance	20	Ω
R_S	Driver Series Resistor ($\pm 1\%$)	158	Ω
R_P	Driver Parallel Resistor ($\pm 1\%$)	140	Ω
R_T	Receiver Termination ($\pm 1\%$)	100	Ω
V_{OH}	Output High Voltage	1.43	V
V_{OL}	Output Low Voltage	1.07	V
V_{OD}	Output Differential Voltage	0.35	V
V_{CM}	Output Common Mode Voltage	1.25	V
Z_{BACK}	Back Impedance	100.5	Ω
I_{DC}	DC Output Current	6.03	mA

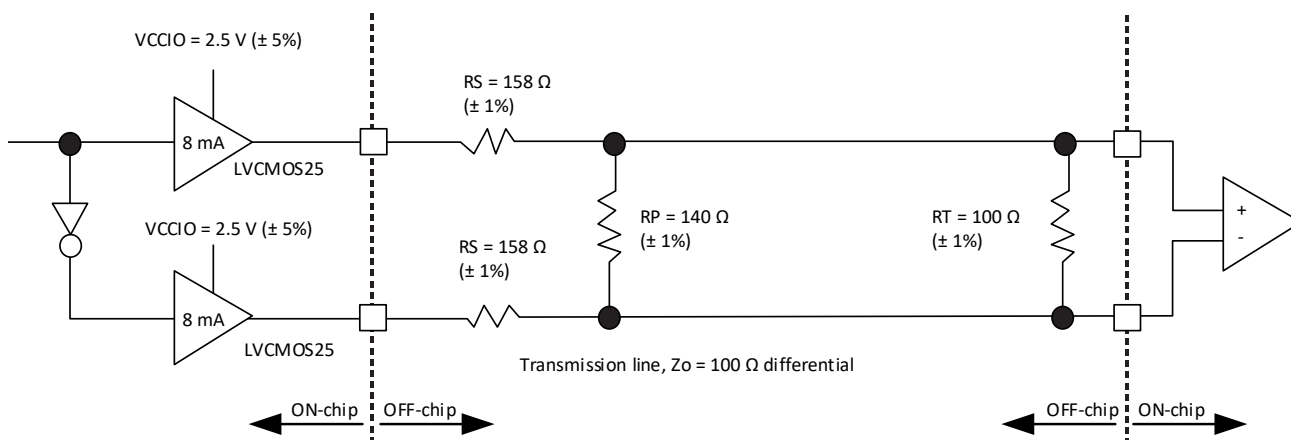


Figure 3.2. LVDS25E Output Termination Example

3.12.3. SubLVDS (Input Only)

SubLVDS is a reduced-voltage form of LVDS signaling, very similar to LVDS. It is a standard used in many camera types of applications. Being similar to LVDS, the LIFCL-33/33U devices can support the subLVDS input signaling with the same LVDS input buffer. The output for subLVDS is implemented in subLVDSSE/subLVDSSEH with a pair of LVCMOS18 output drivers (see [SubLVDSSE/SubLVDSSEH \(Output Only\)](#) section).

Table 3.21. SubLVDS Input DC Electrical Characteristics (Over Recommended Operating Conditions)

Parameter	Description	Test Conditions	Min	Typ	Max	Unit
V_{ID}	Input Differential Threshold Voltage	Over V_{ICM} range	70	150	200	mV
V_{ICM}	Input Common Mode Voltage	Half the sum of the two Inputs	0.4	0.9	1.4 ¹	V

Note:

- $V_{ICM} + 1/2 V_{ID}$ cannot exceed the bank V_{CCIO} in all cases.

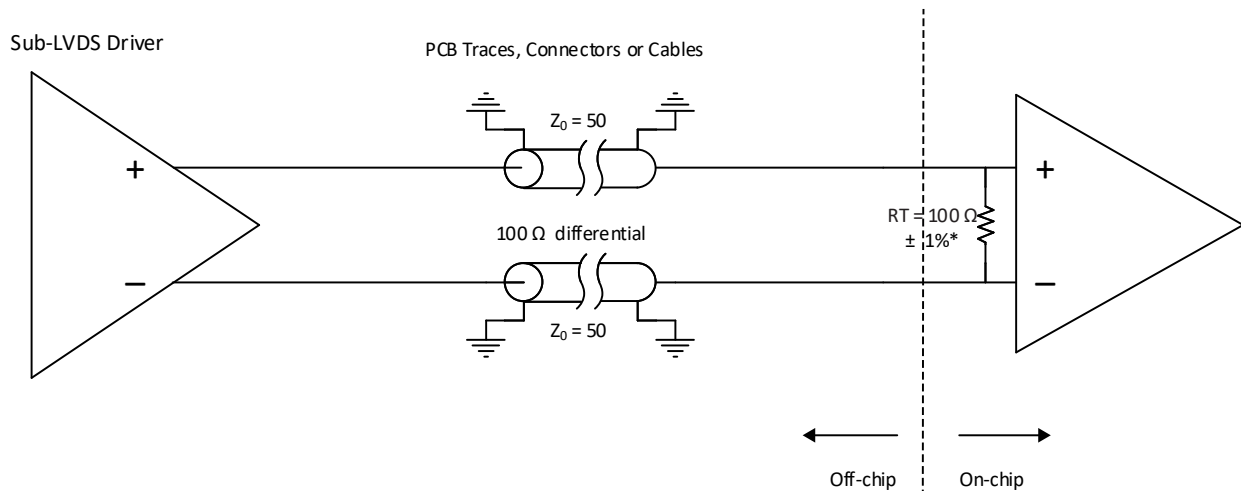


Figure 3.3. SubLVDS Input Interface

3.12.4. SubLVDSSE/SubLVDSSEH (Output Only)

SubLVDS output uses a pair of LVCMOS18 drivers with True and Complement outputs. The V_{CCIO} of the bank used for subLVDSSE or subLVDSSEH needs to be powered by 1.8V. SubLVDSSE is for Bank 0, Bank 1, and Bank 5; and subLVDSSEH is for Bank 2, Bank 3, and Bank 4.

Performance of the subLVDSSE/subLVDSSEH driver is limited to the performance of LVCMOS18.

Table 3.22. SubLVDS Output DC Electrical Characteristics

Parameter	Description	Test Conditions	Min	Typ	Max	Unit
V_{OD}	Output Differential Voltage Swing	—	—	150	—	mV
V_{OCM}	Output Common Mode Voltage	Half the sum of the two Outputs	—	0.9	—	V

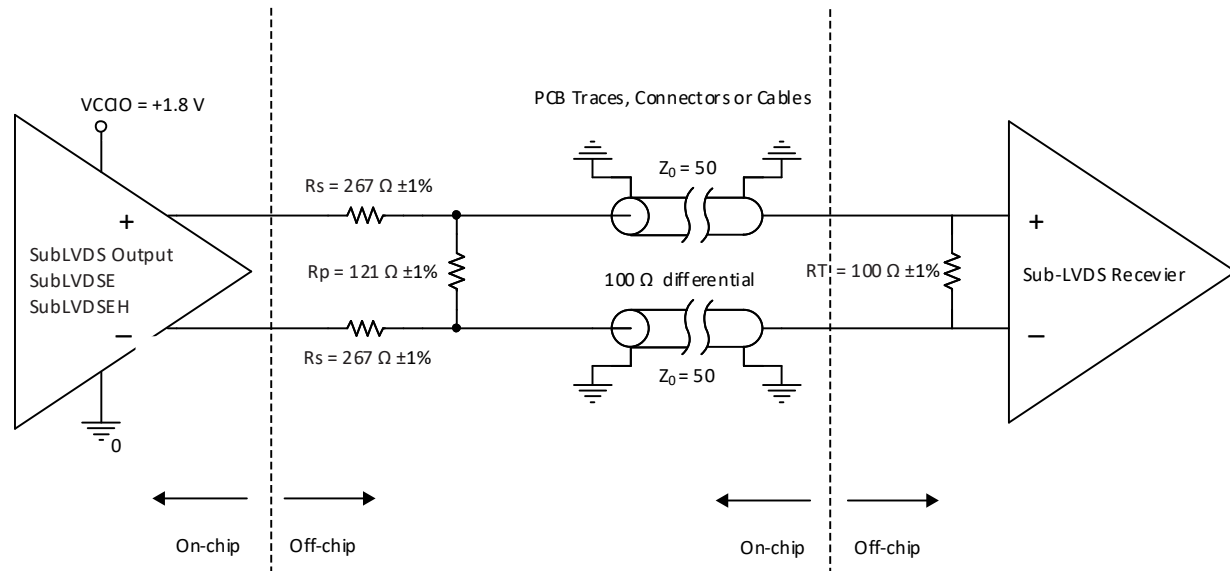


Figure 3.4. SubLVDS Output Interface

3.12.5. SLVS

Scalable Low-Voltage Signaling (SLVS) is based on a point-to-point signaling method defined in the JEDEC JESD8-13 (SLVS-400) standard. This standard evolved from the traditional LVDS standard with smaller voltage swings and a lower common-mode voltage. The 200 mV (400 mV p-p) SLVS swing contributes to a reduction in power.

The LIFCL-33/33U devices receive SLVS differential input with the LVDS input buffer. This LVDS input buffer is design to cover wide input common mode range that can meet the SLVS input standard specified by the JEDEC standard.

Table 3.23. SLVS Input DC Characteristics

Parameter	Description	Test Conditions	Min	Typ	Max	Unit
V_{ID}	Input Differential Threshold Voltage	Over V_{ICM} range	70	—	—	mV
V_{ICM}	Input Common Mode Voltage	Half the sum of the two Inputs	70	200	330	mV

The SLVS output on LIFCL-33/33U is supported with the LVDS drivers found in Bank 2, Bank 3, and Bank 4. The LVDS driver on LIFCL-33/33U is a current controlled driver. It can be configured as LVDS driver or configured with the 100 Ω differential termination with center-tap set to V_{OCM} at 200 mV. This means the differential output driver can be placed into bank with $V_{CCIO} = 1.2$ V, 1.5 V, or 1.8 V, even if it is powered by V_{CCIO} .

Table 3.24. SLVS Output DC Characteristics

Parameter	Description	Test Conditions	Min	Typ	Max	Unit
V_{CCIO}	Bank V_{CCIO}	—	-5%	1.2, 1.5, 1.8	+ 5%	V
V_{OD}	Output Differential Voltage Swing	—	140	200	270	mV
V_{OCM}	Output Common Mode Voltage	Half the sum of the two Outputs	150	200	250	mV
Z_{OS}	Single-Ended Output Impedance	—	37.5	50	80	Ω

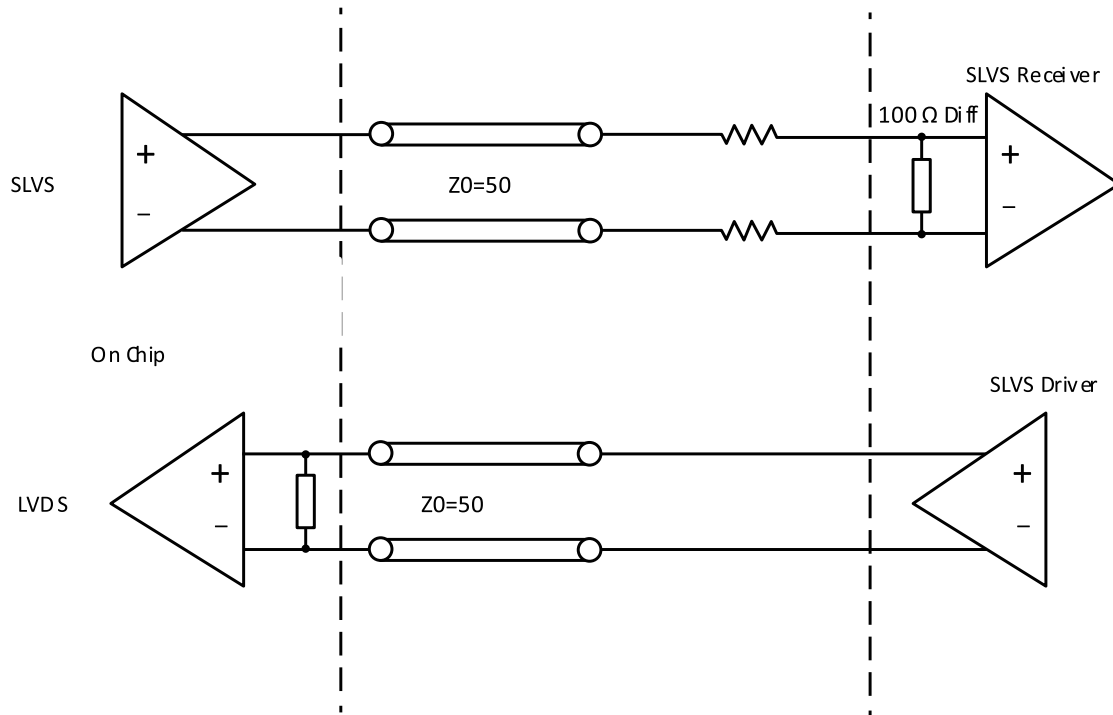


Figure 3.5. SLVS Interface

3.12.6. Soft MIPI D-PHY

When Soft D-PHY is implemented inside the FPGA logic, the I/O interface needs to use sysI/O buffers to connect to external D-PHY pins.

The LIFCL-33/33U sysI/O provides support for SLVS, as described in [SLVS](#) section, plus the LVCMOS12 input / output buffers together to support the High Speed (HS) and Low Power (LP) mode as defined in MIPI Alliance Specification for D-PHY.

To support MIPI D-PHY with SLVS (LVDS) and LVCMOS12, the bank V_{CCIO} cannot be set to 1.5 V or 1.8 V. It has to connect to 1.2 V, or 1.1 V.

All other DC parameters are the same as listed in [SLVS](#) section. DC parameters for the LP driver and receiver are the same as listed in LVCMOS12.

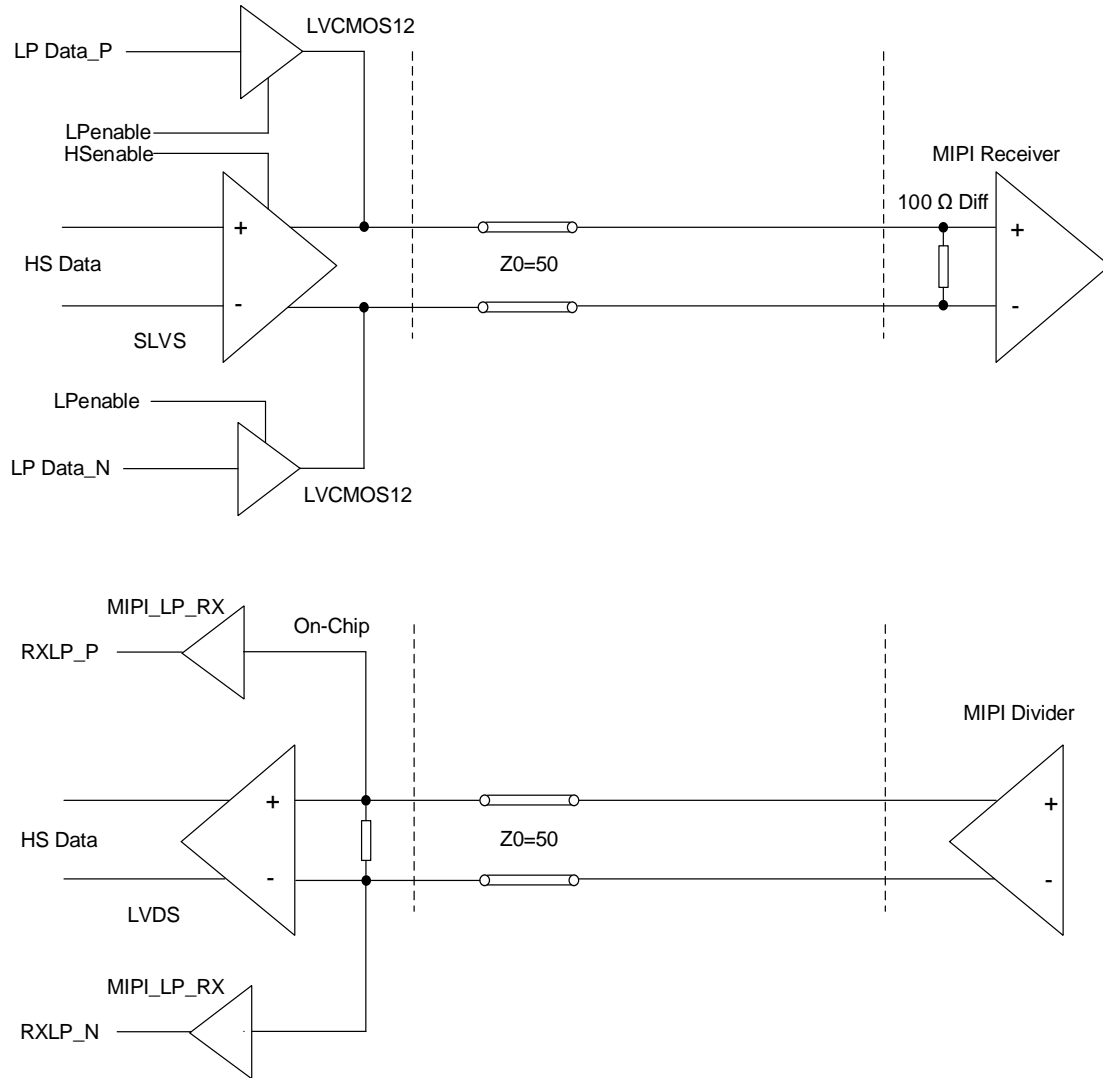


Figure 3.6. MIPI Interface

Table 3.25. Soft D-PHY Input Timing and Levels

Symbol	Description	Conditions	Min	Typ	Max	Unit
High Speed (Differential) Input DC Specifications						
$V_{CMRX(DC)}$	Common-mode Voltage in High-Speed Mode	—	70	—	330	mV
V_{IDTH}	Differential Input HIGH Threshold	—	70	—	—	mV
V_{IDTL}	Differential Input LOW Threshold	—	—	—	-70	mV
V_{IHHS}	Input HIGH Voltage (for HS mode)	—	—	—	460	mV
V_{ILHS}	Input LOW Voltage	—	-40	—	—	mV
$V_{TERM-EN}$	Single-ended voltage for HS Termination Enable ⁴	—	—	—	450	mV
Z_{ID}	Differential Input Impedance	—	80	100	125	Ω
High Speed (Differential) Input AC Specifications						
$\Delta V_{CMRX(HF)}$ ¹	Common-mode Interference (>450 MHz)	—	—	—	100	mV
$\Delta V_{CMRX(LF)}$ ^{2, 3}	Common-mode Interference (50 MHz - 450 MHz)	—	-50	—	50	mV
C_{CM}	Common-mode Termination	—	—	—	60	pF
Low Power (Single-Ended) Input DC Specifications						
V_{IH}	Low Power Mode Input HIGH Voltage	—	740	—	—	mV
V_{IL}	Low Power Mode Input LOW Voltage	—	—	—	480	mV
$V_{IL-U LP}$	Ultra Low Power Input LOW Voltage	—	—	—	300	mV
V_{HYST}	Low Power Mode Input Hysteresis	—	25	—	—	mV
e_{SPIKE}	Input Pulse Rejection	—	—	—	300	V·ps
T_{MIN-RX}	Minimum Pulse Width Response	—	20	—	—	ns
V_{INT}	Peak Interference Amplitude	—	—	—	200	mV
f_{INT}	Interference Frequency	—	450	—	—	MHz

Notes:

1. This is peak amplitude of sine wave modulated to the receiver inputs.
2. Input common-mode voltage difference compared to average common-mode voltage on the receiver inputs.
3. Exclude any static ground shift of 50 mV.
4. High Speed Differential R_{TERM} is enabled when both D_P and D_N are below this voltage.

Table 3.26. Soft D-PHY Output Timing and Levels

Symbol	Description	Conditions	Min	Typ	Max	Unit
High Speed (Differential) Output DC Specifications						
V_{CMTX}	Common-mode Voltage in High Speed Mode	—	150	200	250	mV
$ \Delta V_{\text{CMTX}(1,0)} $	V_{CMTX} Mismatch Between Differential HIGH and LOW	—	—	—	5	mV
$ V_{\text{OD}} $	Output Differential Voltage	$ D\text{-PHY-P} - D\text{-PHY-N} $	140	200	270	mV
$ \Delta V_{\text{OD}} $	V_{OD} Mismatch Between Differential HIGH and LOW	—	—	—	10	mV
V_{OHHS}	Single-Ended Output HIGH Voltage	—	—	—	360	mV
Z_{OS}	Single Ended Output Impedance	—	37.5	50	80	Ω
ΔZ_{OS}	Z_{OS} mismatch	—	—	—	20	%
High Speed (Differential) Output AC Specifications						
$\Delta V_{\text{CMTX(LF)}}$	Common-Mode Variation, 50 MHz–450 MHz	—	—	—	25	mV _{RMS}
$\Delta V_{\text{CMTX(HF)}}$	Common-Mode Variation, above 450 MHz	—	—	—	15	mV _{RMS}
t_{R}	Output 20%–80% Rise Time Output 80%–20% Fall Time	0.08 Gbps $\leq t_{\text{R}} \leq 1.00$ Gbps	—	—	0.30	UI
		1.00 Gbps $< t_{\text{R}} \leq 1.50$ Gbps	—	—	0.35	UI
t_{F}	Output Data Valid After CLK Output	0.08 Gbps $\leq t_{\text{F}} \leq 1.00$ Gbps	—	—	0.30	UI
		1.00 Gbps $< t_{\text{F}} \leq 1.50$ Gbps	—	—	0.35	UI
Low Power (Single-Ended) Output DC Specifications						
V_{OH}	Low Power Mode Output HIGH Voltage	0.08 Gbps – 1.5 Gbps	1.07	1.2	1.3	V
V_{OL}	Low Power Mode Input LOW Voltage	—	-50	—	50	mV
Z_{OLP}	Output Impedance in Low Power Mode	—	110	—	—	Ω
Low Power (Single-Ended) Output AC Specifications						
t_{RLP}	15%–85% Rise Time	—	—	—	25	ns
t_{FLP}	85%–15% Fall Time	—	—	—	25	ns
t_{REOT}	HS – LP Mode Rise and Fall Time, 30%–85%	—	—	—	35	ns
$T_{\text{LP-PULSE-TX}}$	Pulse Width of the LP Exclusive-OR Clock	First LP XOR Clock Pulse after STOP State or Last Pulse before STOP State	40	—	—	ns
		All Other Pulses	20	—	—	ns
$T_{\text{LP-PER-TX}}$	Period of the LP Exclusive-OR Clock	—	90	—	—	ns
C_{LOAD}	Load Capacitance	—	0	—	70	pF

Table 3.27. Soft D-PHY Clock Signal Specification

Symbol	Description	Conditions	Min	Typ	Max	Unit
Clock Signal Specification						
UI Instantaneous	U_{INST}	—	—	—	12.5	ns
UI Variation	ΔUI	—	-10%	—	10%	UI
		—	-5%	—	5%	UI

Table 3.28. Soft D-PHY Data-Clock Timing Specifications

Symbol	Description	Conditions	Min	Typ	Max	Unit
Data-Clock Timing Specifications						
$T_{\text{SKEW}[\text{TX}]}$	Data to Clock Skew	$0.08 \text{ Gbps} \leq T_{\text{SKEW}[\text{TX}]} \leq 1.00 \text{ Gbps}$	-0.15	—	0.15	UI _{INST}
		$1.00 \text{ Gbps} < T_{\text{SKEW}[\text{TX}]} \leq 1.50 \text{ Gbps}$	-0.20	—	0.20	UI _{INST}
$T_{\text{SKEW}[\text{TLIS}]}$	Data to Clock Skew	$0.08 \text{ Gbps} \leq T_{\text{SKEW}[\text{TLIS}]} \leq 1.00 \text{ Gbps}$	-0.20	—	0.20	UI _{INST}
		$1.00 \text{ Gbps} < T_{\text{SKEW}[\text{TLIS}]} \leq 1.50 \text{ Gbps}$	-0.10	—	0.10	UI _{INST}
$T_{\text{SETUP}[\text{RX}]}$	Input Data Setup Before CLK	$0.08 \text{ Gbps} \leq T_{\text{SETUP}[\text{RX}]} \leq 1.00 \text{ Gbps}$	0.15	—	—	UI
		$1.00 \text{ Gbps} < T_{\text{SETUP}[\text{RX}]} \leq 1.50 \text{ Gbps}$	0.20	—	—	UI
$T_{\text{HOLD}[\text{RX}]}$	Input Data Hold After CLK	$0.08 \text{ Gbps} \leq T_{\text{HOLD}[\text{RX}]} \leq 1.00 \text{ Gbps}$	0.15	—	—	UI
		$1.00 \text{ Gbps} < T_{\text{HOLD}[\text{RX}]} \leq 1.50 \text{ Gbps}$	0.20	—	—	UI

3.12.7. Differential HSTL15D (Output Only)

Differential HSTL outputs are implemented as a pair of complementary single-ended HSTL outputs.

3.12.8. Differential LVCMOS25D, LVCMOS33D, LVTTTL33D (Output Only)

Differential LVCMOS and LVTTTL outputs are implemented as a pair of complementary single-ended outputs. All allowable single-ended output drive strengths are supported.

3.13. Maximum sysI/O Buffer Speed

Over recommended operating conditions.

Table 3.29. Maximum I/O Buffer Speed^{1, 2, 3, 4, 7}

Buffer	Description	Banks	Max	Unit
Maximum sysI/O Input Frequency				
Single-Ended				
LVCOS33	LVCOS33, $V_{CCIO} = 3.3\text{ V}$	0, 1, 5	200	MHz
LVTL33	LVTL33, $V_{CCIO} = 3.3\text{ V}$	0, 1, 5	200	MHz
LVCOS25	LVCOS25, $V_{CCIO} = 2.5\text{ V}$	0, 1, 5	200	MHz
LVCOS18 ⁵	LVCOS18, $V_{CCIO} = 1.8\text{ V}$	0, 1, 5	200	MHz
LVCOS18H	LVCOS18, $V_{CCIO} = 1.8\text{ V}$	2, 3, 4	200	MHz
LVCOS15 ⁵	LVCOS15, $V_{CCIO} = 1.5\text{ V}$	0, 1, 5	100	MHz
LVCOS15H ⁵	LVCOS15, $V_{CCIO} = 1.5\text{ V}$	2, 3, 4	150	MHz
LVCOS12 ⁵	LVCOS12, $V_{CCIO} = 1.2\text{ V}$	0, 1, 5	50	MHz
LVCOS12H ⁵	LVCOS12, $V_{CCIO} = 1.2\text{ V}$	2, 3, 4	100	MHz
LVCOS10 ⁵	LVCOS 1.0, $V_{CCIO} = 1.2\text{ V}$	0, 1, 5	50	MHz
LVCOS10H ⁵	LVCOS 1.0, $V_{CCIO} = 1.0\text{ V}$	2, 3, 4	50	MHz
LVCOS10R	LVCOS 1.0, V_{CCIO} independent	2, 3, 4	50	MHz
HSTL15	HSTL15, $V_{CCIO} = 1.5\text{ V}$	2, 3, 4	250	Mbps
MIPI D-PHY (LP Mode)	MIPI, Low Power Mode, $V_{CCIO} = 1.2\text{ V}$	2, 3, 4	10	Mbps
Differential⁸				
LVDS	LVDS, V_{CCIO} independent	2, 3, 4	1250	Mbps
subLVDS	subLVDS, V_{CCIO} independent	2, 3, 4	1250	Mbps
SLVS	SLVS similar to MIPI HS, V_{CCIO} independent	2, 3, 4	1250	Mbps
MIPI D-PHY (HS Mode)	MIPI, High Speed Mode, $V_{CCIO} = 1.2\text{ V}$	2, 3, 4	1250	Mbps
HSTL15D	Differential HSTL15, V_{CCIO} independent	2, 3, 4	250	Mbps
Maximum sysI/O Output Frequency				
Single-Ended				
LVCOS33 (all drive strengths)	LVCOS33, $V_{CCIO} = 3.3\text{ V}$	0, 1, 5	200	MHz
LVCOS33 (RS50)	LVCOS33, $V_{CCIO} = 3.3\text{ V}$, $R_{SERIES} = 50\ \Omega$	0, 1, 5	200	MHz
LVTL33 (all drive strengths)	LVTL33, $V_{CCIO} = 3.3\text{ V}$	0, 1, 5	200	MHz
LVTL33 (RS50)	LVTL33, $V_{CCIO} = 3.3\text{ V}$, $R_{SERIES} = 50\ \Omega$	0, 1, 5	200	MHz
LVCOS25 (all drive strengths)	LVCOS25, $V_{CCIO} = 2.5\text{ V}$	0, 1, 5	200	MHz
LVCOS25 (RS50)	LVCOS25, $V_{CCIO} = 2.5\text{ V}$, $R_{SERIES} = 50\ \Omega$	0, 1, 5	200	MHz
LVCOS18 (all drive strengths)	LVCOS18, $V_{CCIO} = 1.8\text{ V}$	0, 1, 5	200	MHz
LVCOS18 (RS50)	LVCOS18, $V_{CCIO} = 1.8\text{ V}$, $R_{SERIES} = 50\ \Omega$	0, 1, 5	200	MHz
LVCOS18H (all drive strengths)	LVCOS18, $V_{CCIO} = 1.8\text{ V}$	2, 3, 4	200	MHz
LVCOS18H (RS50)	LVCOS18, $V_{CCIO} = 1.8\text{ V}$, $R_{SERIES} = 50\ \Omega$	2, 3, 4	200	MHz
LVCOS15 (all drive strengths)	LVCOS15, $V_{CCIO} = 1.5\text{ V}$	0, 1, 5	100	MHz
LVCOS15H (all drive strengths)	LVCOS15, $V_{CCIO} = 1.5\text{ V}$	2, 3, 4	150	MHz
LVCOS12 (all drive strengths)	LVCOS12, $V_{CCIO} = 1.2\text{ V}$	0, 1, 5	50	MHz
LVCOS12H (all drive strengths)	LVCOS12, $V_{CCIO} = 1.2\text{ V}$	2, 3, 4	100	MHz
LVCOS10H (all drive strengths)	LVCOS12, $V_{CCIO} = 1.2\text{ V}$	2, 3, 4	50	MHz
HSTL15	HSTL15, $V_{CCIO} = 1.5\text{ V}$	2, 3, 4	250	Mbps
MIPI D-PHY (LP Mode)	MIPI, Low Power Mode, $V_{CCIO} = 1.2\text{ V}$	2, 3, 4	10	Mbps

Buffer	Description	Banks	Max	Unit
Differential⁸				
LVDS	LVDS, V _{CCIO} = 1.8 V USG84	2, 3, 4	1250	Mbps
	LVDS, V _{CCIO} = 1.8 V CTG104	2, 3, 4	1500	Mbps
LVDS25E ⁶	LVDS25, Emulated, V _{CCIO} = 2.5 V	0, 1, 5	400	Mbps
SubLVDS ⁶	subLVDS, Emulated, V _{CCIO} = 1.8 V	0, 1, 5	400	Mbps
SubLVDS ⁶ EH	subLVDS, Emulated, V _{CCIO} = 1.8 V	2, 3, 4	800	Mbps
SLVS	SLVS similar to MIPI, V _{CCIO} = 1.2 V USG84	2, 3, 4	1250	Mbps
	SLVS similar to MIPI, V _{CCIO} = 1.2 V CTG104	2, 3, 4	1500	Mbps
MIPI D-PHY (HS Mode)	MIPI, High Speed Mode, V _{CCIO} = 1.2 V USG84	2, 3, 4	1250	Mbps
	MIPI, High Speed Mode, V _{CCIO} = 1.2 V CTG104	2, 3, 4	1500	Mbps
HSTL15D	Differential HSTL15, V _{CCIO} = 1.5 V	2, 3, 4	250	Mbps

Notes:

- Maximum I/O speed is the maximum switching rate of the I/O operating within the guidelines of the defining standard. The actual interface speed performance using the I/O also depends on other factors, such as internal and external timing.
- These numbers are characterized but not test on every device.
- Performance is specified in MHz, as defined in clock rate when the sysI/O is used as pin. For data rate performance, this can be converted to Mbps, which equals to 2 times the clock rate.
- LVC MOS and LV TTL are measured with load specified in [Table 3.42](#).
- These LVC MOS inputs can be placed in different V_{CCIO} voltage. Performance may vary. Refer to Lattice Design software.
- These emulated outputs performance is based on externally properly terminated as described in [LVDS25E \(Output Only\)](#) and [SubLVDS/SubLVDS⁶EH \(Output Only\)](#).
- All speeds are measured with fast slew.
- For maximum differential I/O performance only Differential I/O should be placed in the bottom I/O banks. If this is not possible, the following will impact on maximum performance:
 - If Fast Slew Rate LVC MOS I/O are used, they should be limited to no more than nine I/O (adjacent), four I/O (same bank), 55 I/O to keep degradation below 50%.
 - If non-Differential I/O (SLOW SLEW) are placed on the bottom but not within the same bank as differential I/O, then the maximum Differential performance is degraded to 70% of original when 21 aggressors are toggling.
 - If non-Differential I/O (SLOW SLEW) are placed within the same bank as Differential I/O then the maximum performance is degraded to 50% of original when 16 aggressor are toggling.
 - No performance impact if MIPI D-PHY LP and MIPI D-PHY HS are in the same bank.
 - If Differential RX/TX I/O are both placed within the same bank, then the maximum performance is degraded to 90%.

3.14. Typical Building Block Function Performance

These building block functions can be generated using Lattice Design software tool. Exact performance may vary with the device and the design software tool version. The design software tool uses internal parameters that have been characterized but are not tested on every device.

Table 3.30. Pin-to-Pin Performance

Function	Typ. @ VCC = 1.0 V	Unit
16-bit Decoder (I/O configured with LVC MOS18, Top Banks)	5.5	ns
16-bit Decoder (I/O configured with HSTL15_I, Bottom Banks)	5.1	ns
16:1 Mux (I/O configured with LVC MOS18, Top Banks)	6	ns
16:1 Mux (I/O configured with HSTL15_I, Bottom Banks)	6.1	ns

Note: These functions are generated using Lattice Radiant Design software tool. Exact performance may vary with the device and the design software tool version. The design software tool uses internal parameters that have been characterized but are not tested on every device.

Table 3.31. Register-to-Register Performance^{1, 3, 4}

Function	Typ. @ VCC = 1.0 V	Unit
Basic Functions		
16-bit Adder	500 ²	MHz
32-bit Adder	496	MHz
16-bit Counter	402	MHz
32-bit Counter	371	MHz
Embedded Memory Functions		
512 × 36 Single Port RAM, with Output Register	500 ²	MHz
1024 × 18 True-Dual Port RAM using same clock, with EBR Output Registers	500 ²	MHz
1024 × 18 True-Dual Port RAM using asynchronous clocks, with EBR Output Registers	500 ²	MHz
Large Memory Functions		
32k × 32 Single Port RAM, with Output Register	195	MHz
32k × 32 Single Port RAM with ECC, with Output Register	170	MHz
32k × 32 True-Dual Port RAM using same clock, with Output Registers	115	MHz
Distributed Memory Functions		
16 × 4 Single Port RAM (One PFU)	500 ²	MHz
16 × 2 Pseudo-Dual Port RAM (One PFU)	500 ²	MHz
16 × 4 Pseudo-Dual Port (Two PFUs)	500 ²	MHz
DSP Functions		
9 × 9 Multiplier with Input Output Registers	376	MHz
18 × 18 Multiplier with Input/Output Registers	287	MHz
36 × 36 Multiplier with Input/Output Registers	200	MHz
MAC 18 × 18 with Input/Output Registers	203	MHz
MAC 18 × 18 with Input/Pipelined/Output Registers	287	MHz
MAC 36 × 36 with Input/Output Registers	119	MHz
MAC 36 × 36 with Input/Pipelined/Output Registers	155	MHz

Notes:

1. The Clock port is configured with LVDS I/O type. Performance Grade: 8_High-Performance_1.0V.
2. Limited by the Minimum Pulse Width of the component.
3. These functions are generated using Lattice Radiant Design software tool. Exact performance may vary with the device and the design software tool version. The design software tool uses internal parameters that have been characterized but are not tested on every device.
4. For the Pipelined designs, the number of pipeline stages used are 2.

3.15. LMMI

Table 3.34 summarizes the performance of the LMMI interface with supported IPs. Additional timing requirement and constraint can be identified through the Lattice Radiance design tools.

Table 3.32. LMMI F_{MAX} Summary

IP	F _{MAX} (MHz)
CRE	54
I ² C	38
PLL_LLC	55

3.16. Derating Timing Tables

Logic timing provided in the following sections of this data sheet and the Lattice Radiant design tools are worst case numbers in the operating range. Actual delays at nominal temperature and voltage for best case process, can be much better than the values given in the tables. The Lattice Radiant design tool can provide logic timing numbers at a particular temperature and voltage.

3.17. External Switching Characteristics

Over recommended commercial operating conditions.

Table 3.33. External Switching Characteristics (V_{CC} = 1.0 V)

Parameter	Description	-9		-8		-7		Unit
		Min	Max	Min	Max	Min	Max	
Clocks								
Primary Clocks								
f _{MAX_PRI}	Frequency for Primary Clock	—	400	—	325.2	—	276	MHz
t _{W_PRI}	Clock Pulse Width for Primary	1.125	—	1.384	—	1.63	—	ns
t _{SKEW_PRI} ⁶	Primary Clock Skew Within a Device	—	450	—	554	—	653	ps
Edge Clock								
f _{MAX_EDGE}	Frequency for Edge Clock Tree	—	800	—	650.4	—	551.7	MHz
t _{W_EDGE}	Clock Pulse Width for Edge Clock	0.537	—	0.661	—	0.779	—	ns
t _{SKEW_EDGE} ⁶	Edge Clock Skew Within a Device	—	120	—	148	—	174	ps
Generic SDR Input								
General I/O Pin Parameters Using Dedicated Primary Clock Input without PLL								
t _{CO}	Clock to Output - PIO Output	—	8.36	—	8.53	—	8.67	ns
t _{SU}	Clock to Data Setup - PIO Input	0	—	0	—	0	—	ns
t _H	Clock to Data Hold - PIO Input	3.73	—	3.83	—	3.93	—	ns
t _{SU_DEL}	Clock to Data Setup - PIO Input	1.84	—	1.84	—	1.84	—	ns
t _{H_DEL (Top)}	Clock to Data Hold - PIO Input	0.22	—	0.22	—	0.22	—	ns
t _{H_DEL (Bottom)}	Clock to Data Hold - PIO Input Register with Data Input Delay	1.77	—	1.77	—	1.77	—	ns
General I/O Pin Parameters Using Dedicated Primary Clock Input with PLL								
t _{COPLL}	Clock to Output - PIO Output	—	4.55	—	4.67	—	5.51	ns
t _{SUPLL (Top)}	Clock to Data Setup - PIO Input	1.54	—	1.54	—	1.54	—	ns
t _{H_DEL (Bottom)}	Clock to Data Setup - PIO Input	1.33	—	1.33	—	1.33	—	ns
t _{HPLL}	Clock to Data Hold - PIO Input	0.98	—	1.21	—	1.42	—	ns
t _{SU_DELP}	Clock to Data Setup - PIO Input	4.74	—	4.74	—	4.74	—	ns
t _{H_DELP}	Clock to Data Hold - PIO Input	0.00	—	0	—	0	—	ns
Generic DDR Input/Output								
Generic DDRX1 Inputs/Outputs with Clock and Data Centered at Pin (GDDR1_RX/TX.SCLK.Centered) using PCLK Clock Input –								
t _{SU_GDDR1}	Input Data Setup Before CLK	0.917	—	0.917	—	0.917	—	ns
		0.275	—	0.275	—	0.275	—	UI
t _{HO_GDDR1}	Input Data Hold After CLK	0.917	—	0.917	—	0.917	—	ns
t _{DVB_GDDR1}	Output Data Valid After CLK Output	1.134	—	1.113	—	1.014	—	ns
		-0.533	—	-0.554	—	-0.653	—	ns + 1/2 UI
t _{DQVA_GDDR1}	Output Data Valid After CLK Output	1.217	—	1.113	—	1.014	—	ns
		-0.45	—	-0.554	—	-0.653	—	ns + 1/2 UI

Parameter	Description	-9		-8		-7		Unit
		Min	Max	Min	Max	Min	Max	
f _{DATA_GDDR1}	Input/Output Data Rate	—	300	—	300	—	300	Mbps
f _{MAX_GDDR1}	Frequency of PCLK	—	150	—	150	—	150	MHz
½ UI	Half of Data Bit Time, or 90	1.667	—	1.667	—	1.667	—	ns
Output TX to Input RX Margin per Edge		0.3	—	0.197	—	0.097	—	ns
Generic DDRX1 Inputs/Outputs with Clock and Data Aligned at Pin (GDDR1_RX/TX.SCLK.Aligned) using PCLK Clock Input – Bank 0, Bank 1 and Bank 5 – Figure 3.8 and Figure 3.10								
t _{DVA_GDDR1}	Input Data Valid After CLK	—	-0.917	—	-0.917	—	-0.917	ns + 1/2 UI
		—	0.75	—	0.75	—	0.75	ns
		—	0.225	—	0.225	—	0.225	UI
t _{DVE_GDDR1}	Input Data Hold After CLK	0.917	—	0.917	—	0.917	—	ns + 1/2 UI
		2.583	—	2.583	—	2.583	—	ns
		0.775	—	0.775	—	0.775	—	UI
t _{DIA_GDDR1}	Output Data Invalid After CLK	—	0.554	—	0.554	—	0.653	ns
t _{DIB_GDDR1}	Output Data Invalid Before CLK	—	0.45	—	0.554	—	0.653	ns
f _{DATA_GDDR1}	Input/Output Data Rate	—	300	—	300	—	300	Mbps
f _{MAX_GDDR1}	Frequency for PCLK	—	150	—	150	—	150	MHz
½ UI	Half of Data Bit Time, or 90 degree	1.667	—	1.667	—	1.667	—	ns
Output TX to Input RX Margin per Edge		0.3	—	0.197	—	0.097	—	ns
Generic DDRX1 Inputs/Outputs with Clock and Data Centered at Pin (GDDR1_RX/TX.SCLK.Centered) using PCLK Clock Input – Bank 2, Bank 3, and Bank 4 – Figure 3.7 and Figure 3.9								
t _{SU_GDDR1}	Input Data Setup Before CLK	0.917	—	0.917	—	0.917	—	ns
		0.275	—	0.275	—	0.275	—	UI
t _{HO_GDDR1}	Input Data Hold After CLK	0.917	—	0.917	—	0.917	—	ns
f _{DATA_IN_GDDR1}	Input Data Rate	—	300	—	300	—	300	Mbps
t _{DVB_GDDR1}	Output Data Valid After CLK Output	0.670	—	0.631	—	0.744	—	ns
		-0.330	—	-0.369	—	-0.435	—	ns + 1/2 UI
t _{DQVA_GDDR1}	Output Data Valid After CLK Output	0.7	—	0.631	—	0.744	—	ns
		-0.300	—	-0.369	—	-0.435	—	ns + 1/2 UI
f _{DATA_OUT_GDDR1}	Output Data Rate	—	500	—	500	—	424	Mbps
f _{MAX_GDDR1}	Frequency of PCLK	—	250	—	250	—	212	MHz
½ UI	Half of Data Bit Time, or 90 degree	1	—	1	—	1.179	—	ns
Output TX to Input RX Margin per Edge		0.15	—	0.081	—	0.095	—	ns
Generic DDRX1 Inputs/Outputs with Clock and Data Aligned at Pin (GDDR1_RX/TX.SCLK.Aligned) using PCLK Clock Input – Bank 2, Bank 3, and Bank 4 – Figure 3.8 and Figure 3.10								
t _{DVA_GDDR1}	Input Data Valid After CLK	—	-0.917	—	-0.917	—	-0.917	ns + 1/2 UI
		—	0.75	—	0.75	—	0.75	ns
		—	0.225	—	0.225	—	0.225	UI
t _{DVE_GDDR1}	Input Data Hold After CLK	0.917	—	0.917	—	0.917	—	ns + 1/2 UI
		2.583	—	2.583	—	2.583	—	ns
		0.775	—	0.775	—	0.775	—	UI
f _{DATA_IN_GDDR1}	Input Data Rate	—	300	—	300	—	300	Mbps
t _{DIA_GDDR1}	Output Data Invalid After CLK Output	—	0.3	—	0.369	—	0.435	ns
t _{DIB_GDDR1}	Output Data Invalid Before CLK Output	—	0.3	—	0.369	—	0.435	ns

Parameter	Description	-9		-8		-7		Unit
		Min	Max	Min	Max	Min	Max	
f _{DATA_OUT_GDDR1}	Output Data Rate	—	500	—	500	—	424	Mbps
f _{MAX_GDDR1}	Frequency for PCLK	—	250	—	250	—	212	MHz
½ UI	Half of Data Bit Time, or 90 degree	1	—	1	—	1.179	—	ns
Output TX to Input RX Margin per Edge		0.15	—	0.081	—	0.095	—	ns
Generic DDRX2 Inputs/Outputs with Clock and Data Centered at Pin (GDDR2_RX/TX.ECLK.Centered) using PCLK Clock Input - Figure 3.7 and Figure 3.9								
t _{SU_GDDR2}	Data Setup before CLK Input	0.209	—	0.209	—	0.206	—	ns
		0.209	—	0.209	—	0.175	—	UI
t _{HO_GDDR2}	Data Hold after CLK Input	0.213	—	0.213	—	0.206	—	ns
t _{DVB_GDDR2}	Output Data Valid Before CLK Output	0.360	—	0.352	—	0.415	—	ns
		-0.140	—	-0.148	—	-0.174	—	ns + 1/2 UI
t _{DQVA_GDDR2}	Output Data Valid After CLK Output	0.38	—	0.352	—	0.415	—	ns
		-0.12	—	-0.148	—	-0.174	—	ns + 1/2 UI
f _{DATA_GDDR2}	Input/Output Data Rate	—	1000	—	1000	—	848	Mbps
f _{MAX_GDDR2}	Frequency for ECLK	—	500	—	500	—	424	MHz
½ UI	Half of Data Bit Time, or 90 degree	0.5	—	0.5	—	0.589	—	ns
f _{PCLK}	PCLK frequency	—	250	—	250	—	212.1	MHz
Output TX to Input RX Margin per Edge		0.23	—	0.202	—	0.239	—	ns
Generic DDRX2 Inputs/Outputs with Clock and Data Aligned at Pin (GDDR2_RX/TX.ECLK.Aligned) using PCLK Clock Input - Figure 3.8 and Figure 3.10								
t _{DVA_GDDR2}	Input Data Valid After CLK	—	-0.275	—	-0.275	—	-0.324	ns + 1/2 UI
		—	0.225	—	0.225	—	0.265	ns
		—	0.225	—	0.225	—	0.265	UI
t _{DVE_GDDR2}	Input Data Hold After CLK	0.275	—	0.275	—	0.324	—	ns + 1/2 UI
		0.775	—	0.775	—	0.914	—	ns
		0.775	—	0.775	—	0.775	—	UI
t _{DIA_GDDR2}	Output Data Invalid After CLK	—	0.12	—	0.148	—	0.174	ns
t _{DIB_GDDR2}	Output Data Invalid Before CLK	—	0.12	—	0.148	—	0.174	ns
f _{DATA_GDDR2}	Input/Output Data Rate	—	1000	—	1000	—	848	Mbps
f _{MAX_GDDR2}	Frequency for ECLK	—	500	—	500	—	424	MHz
½ UI	Half of Data Bit Time, or 90 degree	0.5	—	0.5	—	0.589	—	ns
f _{PCLK}	PCLK frequency	—	250	—	250	—	212.1	MHz
Output TX to Input RX Margin per Edge		0.105	—	0.077	—	0.091	—	ns
Generic DDRX4 Inputs/Outputs with Clock and Data Centered at Pin (GDDR4_RX/TX.ECLK.Centered) using PCLK Clock Input - Figure 3.7 and Figure 3.9								
t _{SU_GDDR4}	Input Data Set-Up Before CLK	0.210	—	0.210	—	0.244	—	ns
		0.315	—	0.252	—	0.252	—	UI
t _{HO_GDDR4}	Input Data Hold After CLK	0.254	—	0.254	—	0.244	—	ns
t _{DVB_GDDR4}	Output Data Valid Before CLK Output	0.193	—	0.269	—	0.309	—	ns
		-0.140	—	-0.148	—	-0.174	—	ns + 1/2 UI
t _{DQVA_GDDR4}	Output Data Valid After CLK Output	0.213	—	0.269	—	0.309	—	ns
		-0.12	—	-0.148	—	-0.174	—	ns + 1/2 UI
f _{DATA_GDDR4}	Input/Output Data Rate	—	1500	—	1200	—	1034	Mbps
f _{MAX_GDDR4}	Frequency for ECLK	—	750	—	600	—	517	MHz

Parameter	Description	-9		-8		-7		Unit
		Min	Max	Min	Max	Min	Max	
½ UI	Half of Data Bit Time, or 90 degrees	0.333	—	0.417	—	0.483	—	ns
f _{PCLK}	PCLK frequency	—	187.5	—	150	—	129.3	MHz
Output TX to Input RX Margin per Edge		0.08	—	0.102	—	0.116	—	ns
Generic DDRX4 Inputs/Outputs with Clock and Data Aligned at Pin (GDDR4_RX/TX.ECLK.Aligned) using PCLK Clock Input - Figure 3.8 and Figure 3.10								
t _{DVA_GDDR4}	Input Data Valid After CLK	—	-0.216	—	-0.229	—	-0.266	ns + 1/2 UI
		—	0.117	—	0.188	—	0.218	ns
		—	0.176	—	0.225	—	0.225	UI
t _{DVE_GDDR4}	Input Data Hold After CLK	0.227	—	0.229	—	0.266	—	ns + 1/2 UI
		0.560	—	0.646	—	0.749	—	ns
		0.840	—	0.775	—	0.775	—	UI
t _{DIA_GDDR4}	Output Data Invalid After CLK Output	—	0.12	—	0.148	—	0.174	ns
t _{DIB_GDDR4}	Output Data Invalid Before CLK Output	—	0.12	—	0.148	—	0.174	ns
f _{DATA_GDDR4}	Input/Output Data Rate	—	1500	—	1200	—	1034	Mbps
f _{MAX_GDDR4}	Frequency for ECLK	—	750	—	600	—	517	MHz
½ UI	Half of Data Bit Time, or 90 degree	0.333	—	0.417	—	0.483	—	ns
f _{PCLK}	PCLK frequency	—	187.5	—	150	—	129.3	MHz
Output TX to Input RX Margin per Edge		0.03	—	0.040	—	0.044	—	ns
Generic DDRX5 Inputs/Outputs with Clock and Data Centered at Pin (GDDR5_RX/TX.ECLK.Centered) using PCLK Clock Input - Figure 3.7 and Figure 3.9								
t _{SU_GDDR5}	Input Data Set-Up Before CLK	0.231	—	0.231	—	0.224	—	ns
		0.289	—	0.277	—	0.224	—	UI
t _{HO_GDDR5}	Input Data Hold After CLK	0.229	—	0.229	—	0.224	—	ns
t _{WINDOW_GDDR5C}	Input Data Valid Window	—	—	—	—	—	—	ns
t _{DVB_GDDR5}	Output Data Valid Before CLK Output	0.249	—	0.269	—	0.326	—	ns
		-0.151	—	-0.148	—	-0.174	—	ns+1/2UI
t _{DQVA_GDDR5}	Output Data Valid After CLK Output	0.249	—	0.269	—	0.326	—	ns
		-0.151	—	-0.148	—	-0.174	—	ns+1/2UI
f _{DATA_GDDR5}	Input/Output Data Rate	—	1250	—	1200	—	1000	Mbps
f _{MAX_GDDR5}	Frequency for ECLK	—	625	—	600	—	500	MHz
½ UI	Half of Data Bit Time, or 90 degree	0.4	—	0.417	—	0.500	—	ns
f _{PCLK}	PCLK frequency	—	125	—	120	—	100.0	MHz
Output TX to Input RX Margin per Edge		0.12	—	0.102	—	0.126	—	ns

Parameter	Description	-9		-8		-7		Unit
		Min	Max	Min	Max	Min	Max	
Generic DDRX5 Inputs/Outputs with Clock and Data Aligned at Pin (GDDR5_RX/TX.ECLK.Aligned) using PCLK Clock Input - Figure 3.8 and Figure 3.10								
t _{DVA_GDDR5}	Input Data Valid After CLK	—	-0.220	—	-0.229	—	-0.275	ns + 1/2 UI
		—	0.18	—	0.188	—	0.225	ns
		—	0.225	—	0.225	—	0.225	UI
t _{DVE_GDDR5}	Input Data Hold After CLK	0.22	—	0.229	—	0.275	—	ns + 1/2 UI
		0.62	—	0.646	—	0.775	—	ns
		0.775	—	0.775	—	0.775	—	UI
t _{WINDOW_GDDR5A}	Input Data Valid Window	—	—	—	—	—	—	ns
t _{DIA_GDDR5}	Output Data Invalid After CLK Output	—	0.12	—	0.148	—	0.174	ns
t _{DIB_GDDR5}	Output Data Invalid Before CLK Output	—	0.12	—	0.148	—	0.174	ns
f _{DATA_GDDR5}	Input/Output Data Rate	—	1250	—	1200	—	1000	Mbps
f _{MAX_GDDR5}	Frequency for ECLK	—	625	—	600	—	500	MHz
½ UI	Half of Data Bit Time or 90 degrees	0.4	—	0.417	—	0.500	—	ns
f _{PCLK}	PCLK frequency	—	125	—	120	—	100.0	MHz
Output TX to Input RX Margin per Edge		0.06	—	0.051	—	ns	0.04	—
Soft D-PHY DDRX4 Inputs/Outputs with Clock and Data Centered at Pin, using PCLK Clock Input								
t _{SU_GDDR4_MP}	Input Data Set-Up Before CLK	0.133	—	0.167	—	0.193	—	ns
		0.2	—	0.2	—	0.2	—	UI
t _{HO_GDDR4_MP}	Input Data Hold After CLK	0.133	—	0.167	—	0.193	—	ns
t _{DVB_GDDR4_MP}	Output Data Valid Before CLK Output	0.133	—	0.167	—	0.193	—	ns
		0.2	—	0.2	—	0.2	—	UI
t _{DQVA_GDDR4_MP}	Output Data Valid After CLK Output	0.133	—	0.167	—	0.193	—	ns
		0.2	—	0.2	—	0.2	—	UI
f _{DATA_GDDR4_MP}	Input Data Bit Rate for MIPI PHY (USG84)	—	1250	—	1000	—	—	Mbps
	Input Data Bit Rate for MIPI PHY (CTG104)	—	1500	—	1200	—	1034	Mbps
½ UI	Half of Data Bit Time or 90	0.333	—	0.417	—	0.483	—	ns
f _{PCLK}	PCLK frequency	—	187.5	—	150	—	129.3	MHz
Output TX to Input RX Margin per Edge		0.067	—	0.083	—	0.097	—	ns
Video DDRX71 Inputs/Outputs with Clock and Data Aligned at Pin (GDDR71_RX.ECLK) using PLL Clock Input - Figure 3.12 and Figure 3.13								
t _{RPBi_DVA}	Input Valid Bit "i" switch from CLK Rising Edge ("i" = 0 to 6, 0 aligns with CLK)	—	0.264	—	0.264	—	0.3	UI
		—	-0.250	—	-0.250	—	-0.249	ns+(1/2+i) × UI
t _{RPBi_DVE}	Input Hold Bit "i" switch from CLK Rising Edge ("i" = 0 to 6, 0 aligns with CLK)	0.761	—	0.761	—	0.7	—	UI
		0.276	—	0.276	—	0.249	—	ns+(1/2+i) × UI
t _{TPBi_DOV}	Data Output Valid Bit "i" switch from CLK Rising Edge ("i" = 0 to 6, 0 aligns with CLK)	—	0.159	—	0.159	—	0.187	ns+i × UI

Parameter	Description	-9		-8		-7		Unit
		Min	Max	Min	Max	Min	Max	
t_{TPBi_DOI}	Data Output Invalid Bit "i" switch from CLK Rising Edge ("i" = 0 to 6, 0 aligns with CLK)	-0.159	—	-0.159	—	-0.187	—	$ns+(i+1) \times UI$
$t_{TPBi_skew_UI}$	TX skew in UI	—	0.15	—	0.15	—	0.150	UI
t_B	Serial Data Bit Time, = 1 UI	1.058	—	1.058	—	1.247	—	ns
f_{DATA_TX71}	DDR71 Serial Data Rate	—	945	—	945	—	802	Mbps
f_{MAX_TX71}	DDR71 ECLK Frequency	—	473	—	473	—	401	MHz
f_{CLKIN}	7:1 Clock (PCLK) Frequency	—	135	—	135	—	114.5	MHz
Output TX to Input RX Margin per Edge		0.159	—	0.159	—	0.187	—	ns

Notes:

- Commercial timing numbers are shown. Industrial numbers are typically slower and can be extracted from the Lattice Radiant software.
- General I/O timing numbers are based on LVCMOS 1.8, 8 mA, Fast Slew Rate, 0 pF load. Generic DDR timing are numbers based on LVDS I/O.
- Uses LVDS I/O standard for measurements.
- Maximum clock frequencies are tested under best case conditions. System performance may vary upon the user environment.
- All numbers are generated with the Lattice Radiant software.
- This clock skew is not the internal clock network skew. The Nexus family devices have very low internal clock network skew that can be approximated to 0 ps. These t_{skew} values measured externally at system level includes additional skew added by the I/O, wire bonding and package ball.

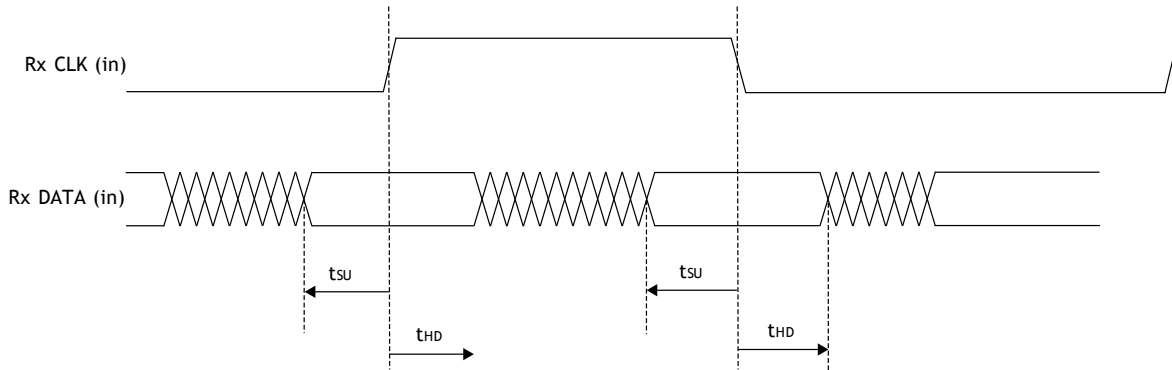


Figure 3.7. Receiver RX.CLK.Centered Waveforms

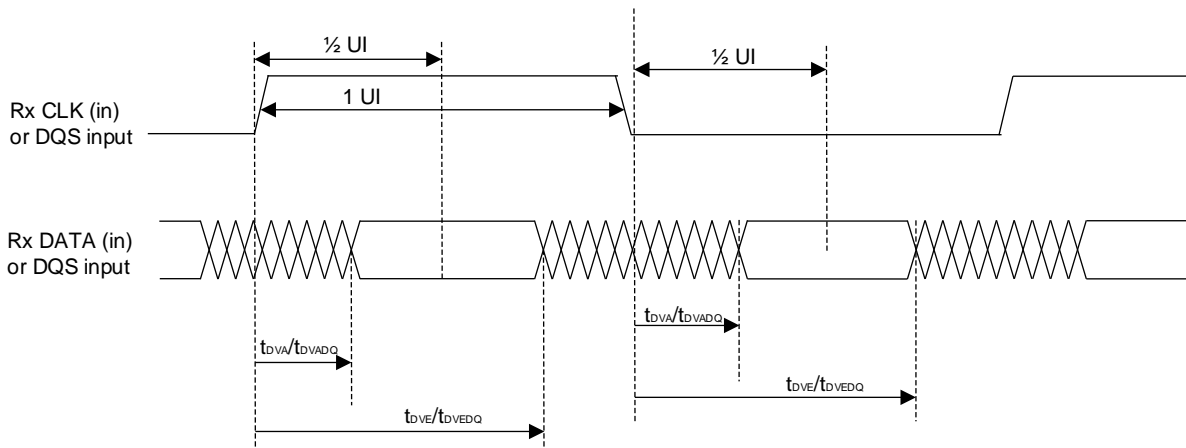


Figure 3.8. Receiver RX.CLK.Aligned and DDR Memory Input Waveforms

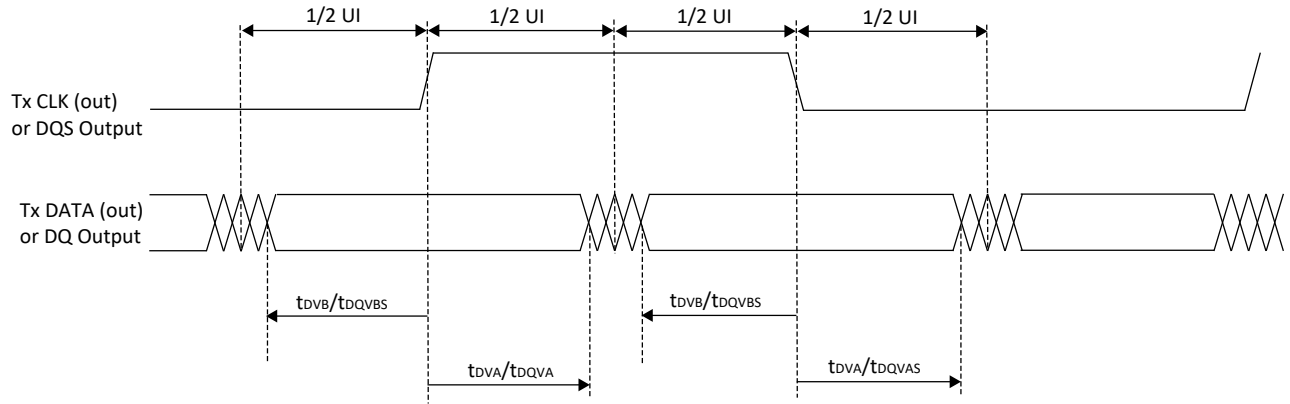


Figure 3.9. Transmit TX.CLK.Centered and DDR Memory Output Waveforms

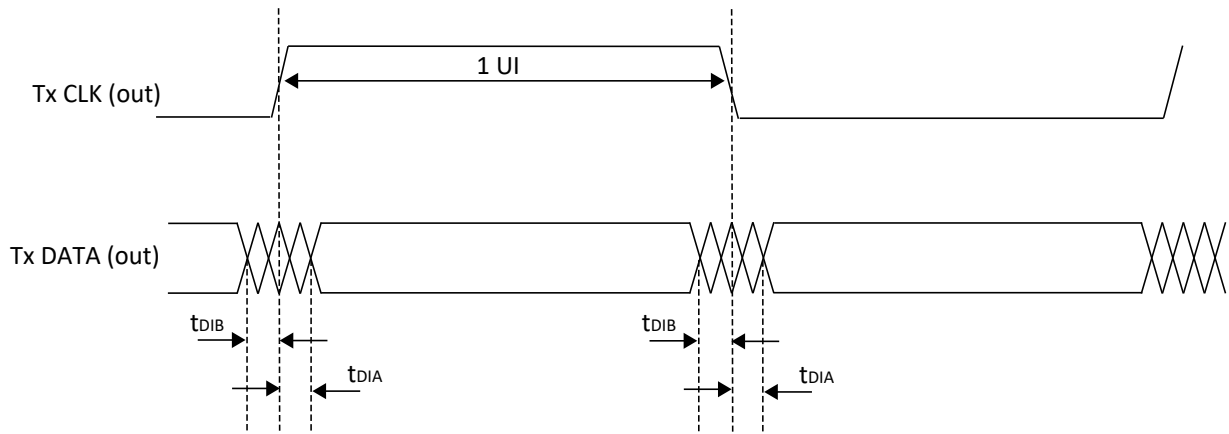
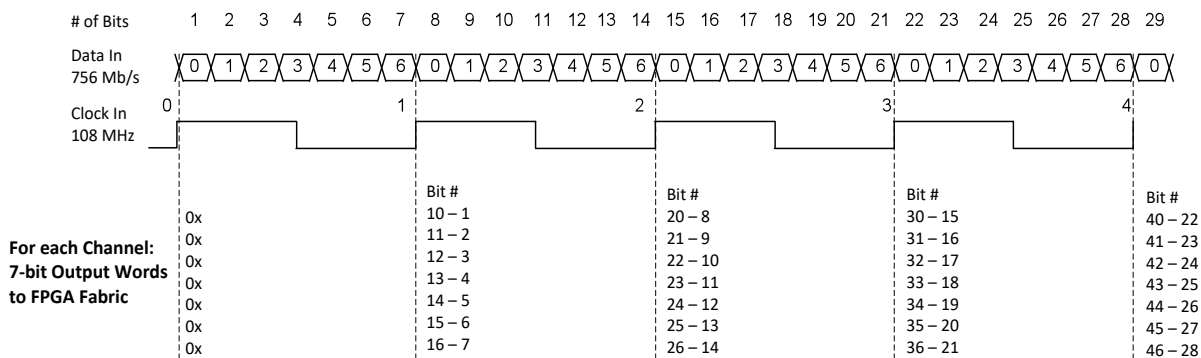


Figure 3.10. Transmit TX.CLK.Aligned Waveforms

Receiver – Shown for one LVDS Channel



Transmitter – Shown for one LVDS Channel

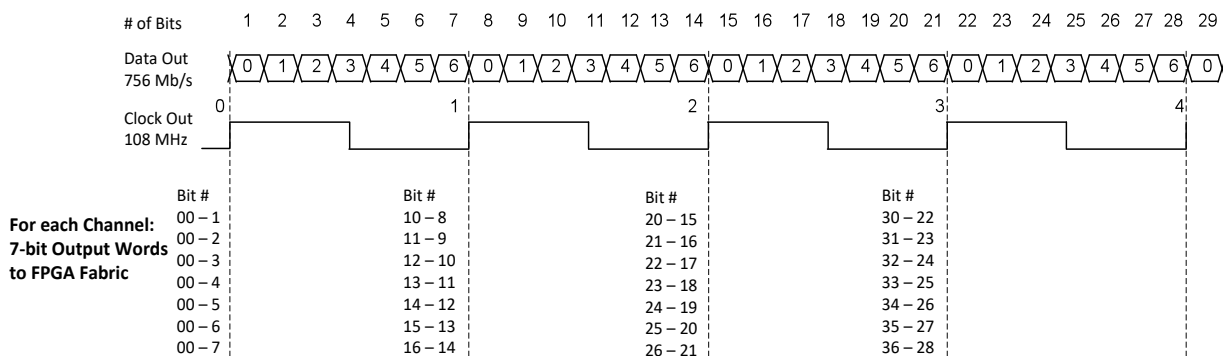


Figure 3.11. DDRX71 Video Timing Waveforms

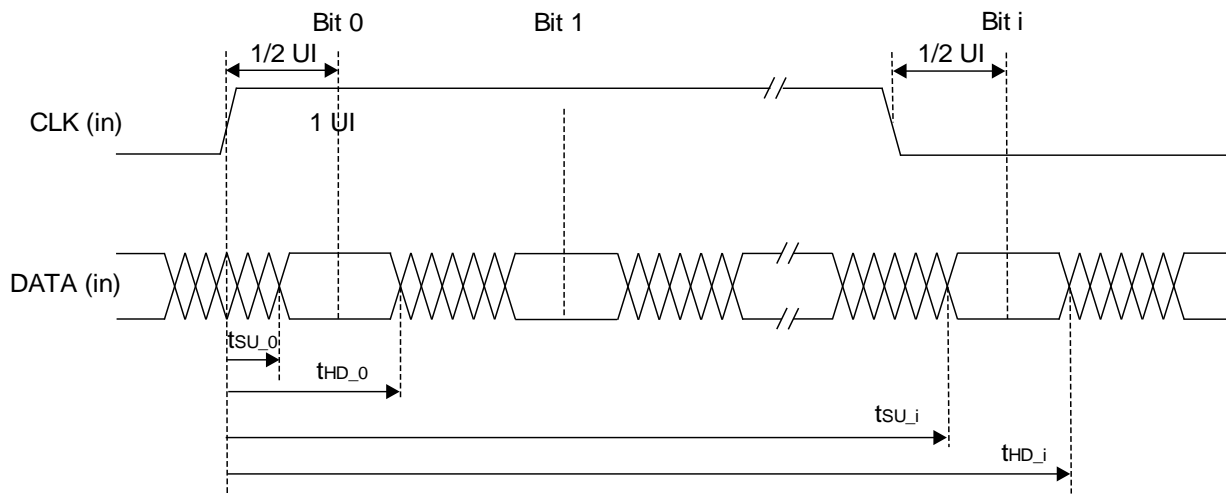


Figure 3.12. Receiver DDRX71_RX Waveforms

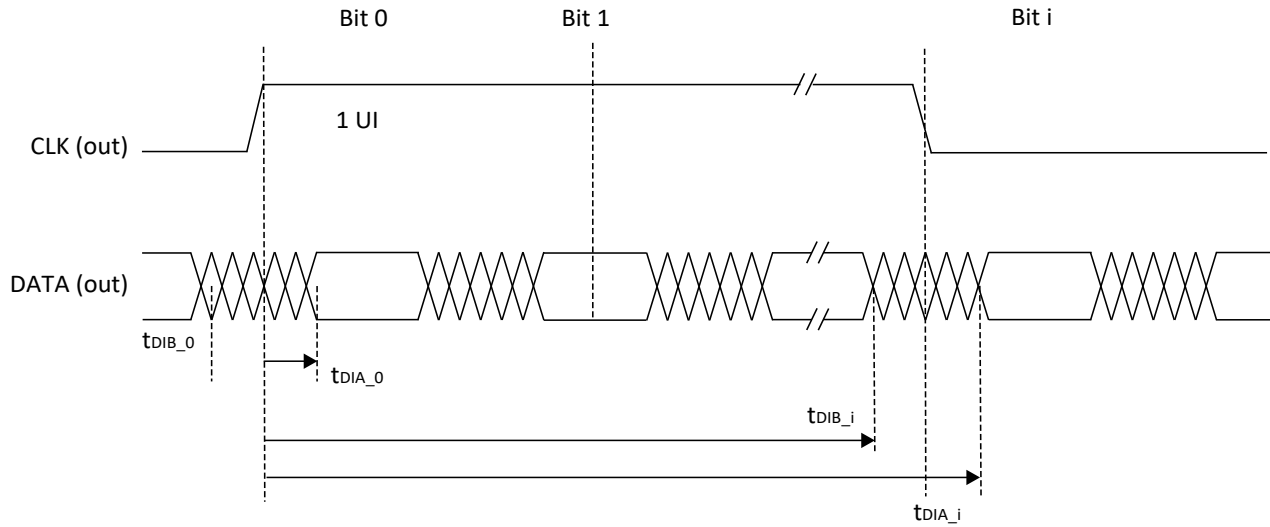


Figure 3.13. Transmitter DDRX71_TX Waveforms

3.18. sysCLOCK PLL Timing ($V_{CC} = 1.0\text{ V}$)

Over recommended operating conditions.

Table 3.34. sysCLOCK PLL Timing ($V_{CC} = 1.0\text{ V}$)

Parameter	Descriptions	Conditions	Min	Typ.	Max	Units
f_{IN}	Input Clock Frequency (CLKI, CLKFB)	—	18	—	500	MHz
f_{OUT}	Output Clock Frequency	—	6.25	—	800	MHz
f_{VCO}	PLL VCO Frequency	—	800	—	1600	MHz
f_{PFD}	Phase Detector Input Frequency	Without Fractional-N Enabled	18	—	500	MHz
		With Fractional-N Enabled	18	—	100	MHz
AC Characteristics						
t_{DT}	Output Clock Duty Cycle	—	45	—	55	%
t_{PH}^4	Output Phase Accuracy	—	-5	—	5	%

Parameter	Descriptions	Conditions	Min	Typ.	Max	Units
t_{OPJIT}^1	Output Clock Period Jitter	$f_{OUT} \geq 200$ MHz	—	—	250	ps p-p
		$f_{OUT} < 200$ MHz	—	—	0.05	UIPP
	Output Clock Cycle-to-Cycle Jitter	$f_{OUT} \geq 200$ MHz	—	—	250	ps p-p
		$f_{OUT} < 200$ MHz	—	—	0.05	UIPP
	Output Clock Phase Jitter	$f_{PFD} \geq 200$ MHz	—	—	250	ps p-p
		$60 \text{ MHz} \leq f_{PFD} < 200$	—	—	350	ps p-p
		$30 \text{ MHz} \leq f_{PFD} < 60$	—	—	450	ps p-p
		$18 \text{ MHz} \leq f_{PFD} < 30$	—	—	650	ps p-p
	Output Clock Period Jitter (Fractional-N)	$f_{OUT} \geq 200$ MHz	—	—	350	ps p-p
		$f_{OUT} < 200$ MHz	—	—	0.07	UIPP
	Output Clock Cycle-to-Cycle Jitter (Fractional-N)	$f_{OUT} \geq 200$ MHz	—	—	400	ps p-p
		$f_{OUT} < 200$ MHz	—	—	0.08	UIPP
f_{BW}^3	PLL Loop Bandwidth	—	0.45	—	13	MHz
t_{LOCK}^2	PLL Lock-in Time	—	—	—	10	ms
t_{UNLOCK}	PLL Unlock Time (from RESET goes HIGH)	—	—	—	50	ns
t_{IPJIT}	Input Clock Period Jitter	$f_{PFD} \geq 20$ MHz	—	—	500	ps p-p
		$f_{PFD} < 20$ MHz	—	—	0.01	UIPP
t_{HI}	Input Clock High Time	90% to 90%	0.5	—	—	ns
t_{LO}	Input Clock Low Time	10% to 10%	0.5	—	—	ns
t_{RST}	RST/ Pulse Width	—	1	—	—	ms
f_{SSC_MOD}	Spread Spectrum Clock Modulation Frequency	—	20	—	200	kHz
$f_{SSC_MOD_AMP}$	Spread Spectrum Clock Modulation Amplitude Range	—	0.25	—	2.00	%
$f_{SSC_MOD_STEP}$	Spread Spectrum Clock Modulation Amplitude Step Size	—	—	0.25	—	%

Notes:

1. Jitter sample is taken over 10,000 samples for Period jitter, and 1,000 samples for Cycle-to-Cycle jitter of the primary PLL output with clean reference clock with no additional I/O toggling.
2. Output clock is valid after t_{LOCK} for PLL reset and dynamic delay adjustment.
3. Result from Lattice Radiant software.
4. CLKOS as compared to CLKOP output for one phase step at the maximum VCO frequency.

3.19. Internal Oscillators Characteristics

Table 3.35. Internal Oscillators ($V_{CC} = 1.0\text{ V}$)

Symbol	Parameter Description	Min	Typ	Max	Unit
f_{CLKHF}	HFOSC CLKK Clock Frequency	418.5	450	481.5	MHz
f_{CLKLF}	LFOSC CLKK Clock Frequency	25.6	32	38.4	kHz
DCH_{CLKHF}	HFOSC Duty Cycle (Clock High Period)	45	50	55	%
DCH_{CLKLF}	LFOSC Duty Cycle (Clock High Period)	45	50	55	%

3.20. User I²C Characteristics

Table 3.36. User I²C Specifications ($V_{CC} = 1.0\text{ V}$)

Symbol	Parameter Description	STD Mode			FAST Mode			FAST Mode Plus ²			Units
		Min	Typ	Max	Min	Typ	Max	Min	Typ	Max	
f_{SCL}	SCL Clock Frequency	—	—	100	—	—	400	—	—	1000	kHz
T_{DELAY}^1	Optional delay through delay block	—	—	62	—	—	62	—	—	62	ns

Notes:

1. Refer to the I²C Specification for timing requirements. User design should set constraints in Lattice Design software to meet this industrial I²C Specification.
2. Fast Mode Plus maximum speed may be achieved by using external pull up resistor on I²C bus. Internal pull up may not be sufficient to support the maximum speed.

3.21. sysCONFIG Port Timing Specifications

Over recommended operating conditions.

Table 3.37. sysCONFIG Port Timing Specifications

Symbol	Parameter	Min	Typ.	Max	Unit
Master SPI POR/REFRESH Timing					
t_{ICFG}	REFRESH command executed, to the rising edge of INITN (bulk-erase off)	—	—	30	μs
t_{VMC}	Time from rising edge of INITN to the valid Master MCLK	—	—	5	μs
f_{MCLK_DEF}	Default MCLK frequency (Before MCLK frequency selection in bitstream)	—	3.5	—	MHz
t_{ICFG_POR}	Time during POR, from VCC, VCCAUX, VCCIO0, or VCCIO1 (whichever is the last) pass POR trip voltage, to the rising edge if INITN	—	—	5	ms

Symbol	Parameter	Min	Typ.	Max	Unit
Slave SPI/I²C/I3C POR					
t _{MSPI_INH}	Time during POR, from V _{CC} , V _{CCAUX} , V _{CCIO0} or V _{CCIO1} (whichever is the last) pass POR trip voltage, to pull PROGRAMN LOW to prevent entering MSPI mode	—	—	1	μs
t _{ACT_PROGRAMN_H}	Minimum time driving PROGRAMN HIGH after last activation clock	50	—	—	ns
t _{CONFIG_CCLK}	Minimum time to start driving CCLK (SSPI) after PROGRAMN HIGH	50	—	—	ns
t _{CONFIG_SCL}	Minimum time to start driving SCL (I ² C/I3C) after PROGRAMN HIGH	50	—	—	ns
PROGRAMN Configuration Timing					
t _{PROGRAMN_L}	PROGRAMN LOW pulse accepted	50	—	—	ns
t _{PROGRAMN_H}	PROGRAMN HIGH pulse accepted	60	—	—	ns
t _{PROGRAMN_RJ}	PROGRAMN LOW pulse rejected	—	—	25	ns
t _{INIT_LOW}	PROGRAMN LOW to INITN LOW	—	—	100	ns
t _{INIT_HIGH}	PROGRAMN LOW to INITN HIGH (bulk-erase off)	—	30	—	μs
t _{DONE_LOW}	PROGRAMN LOW to DONE LOW	—	—	55	μs
t _{DONE_HIGH} ²	PROGRAMN HIGH to DONE HIGH	—	—	2	s
t _{IODISS}	PROGRAMN LOW to I/O Disabled	—	—	125	ns
Master SPI					
f _{MCLK} ¹	Max selected MCLK output frequency	—	150	165	MHz
f _{MCLK_DC}	MCLK output clock duty cycle	40	—	60	%
t _{MCLKH}	MCLK output clock pulse width HIGH	3	—	—	ns
t _{MCLKL}	MCLK output clock pulse width LOW	3	—	—	ns
t _{SU_MSI}	MSI to MCLK setup time	3	—	—	ns
t _{HD_MSI}	MSI to MCLK hold time	0.5	—	—	ns
t _{CO_MSO} ²	MCLK to MSO delay	—	—	12	ns
Slave SPI					
f _{CCLK}	CCLK input clock frequency	—	—	135	MHz
t _{CCLKH}	CCLK input clock pulse width HIGH	3.5	—	—	ns
t _{CCLKL}	CCLK input clock pulse width LOW	3.5	—	—	ns
t _{VMC_SLAVE}	Time from rising edge of INITN to Slave CCLK driven	50	—	—	ns
t _{VMC_MASTER}	CCLK input clock duty cycle	40	—	60	%
t _{SU_SSI}	SSI to CCLK setup time	3.2	—	—	ns
t _{HD_SSI}	SSI to CCLK hold time	1.9	—	—	ns
t _{CO_SSO}	CCLK falling edge to valid SSO output	—	—	30	ns
t _{EN_SSO}	CCLK falling edge to SSO output enabled	—	—	30	ns
t _{DIS_SSO}	CCLK falling edge to SSO output disabled	—	—	30	ns
t _{HIGH_SCSN}	SCSN HIGH time	74	—	—	ns
t _{SU_SCSN}	SCSN to CCLK setup time	3.5	—	—	ns
t _{HD_SCSN}	SCSN to CCLK hold time	1.6	—	—	ns
I²C/I3C					
f _{SCL_I2C}	SCL input clock frequency for I ² C	—	—	1	MHz
f _{SCL_I3C}	SCL input clock frequency for I3C	—	—	12	MHz
t _{SCLH_I2C}	SCL input clock pulse width HIGH for I ² C	400	—	—	ns
t _{SCLL_I2C}	SCL input clock pulse width LOW for I ² C	400	—	—	ns

Symbol	Parameter	Min	Typ.	Max	Unit
$t_{SU_SDA_I2C}$	SDA to SCL setup time for I ² C	250	—	—	ns
$t_{HD_SDA_I2C}$	SDA to SCL hold time for I ² C	50	—	—	ns
$t_{SU_SDA_I3C}$	SDA to SCL setup time for I3C	30	—	—	ns
$t_{HD_SDA_I3C}$	SDA to SCL hold time for I3C	30	—	—	ns
t_{CO_SDA}	SCL falling edge to valid SDA output	—	—	200	ns
t_{EN_SDA}	SCL falling edge to SDA output enabled	—	—	200	ns
t_{DIS_SDA}	SCL falling edge to SDA output disabled	—	—	200	ns
Wake-Up Timing					
$t_{WAKEUP_DONE_HIGH}^2$	Last configuration clock cycle to DONE going HIGH	—	—	60	μ s
$t_{FIO_EN}^2$	User I/O enabled in Early I/O Mode	—	—	31184	cycles
t_{IOEN}^2	Config clock to user I/O enabled	130	—	—	ns
$t_{MCLKZ}^{2,3}$	Master MCLK to Hi-Z	—	—	2.5	μ s

Notes:

- f_{MCLK} has a dependency on HFOSC and is 1/3 of f_{CLKHF} .
- Based on 30k uncompressed/unauthenticated/default MCLK timing (3.5 MHz)/x1. Other permutations result in different values.
- Measure using LVCMOS18, default MCLK frequency, slow slew rate.

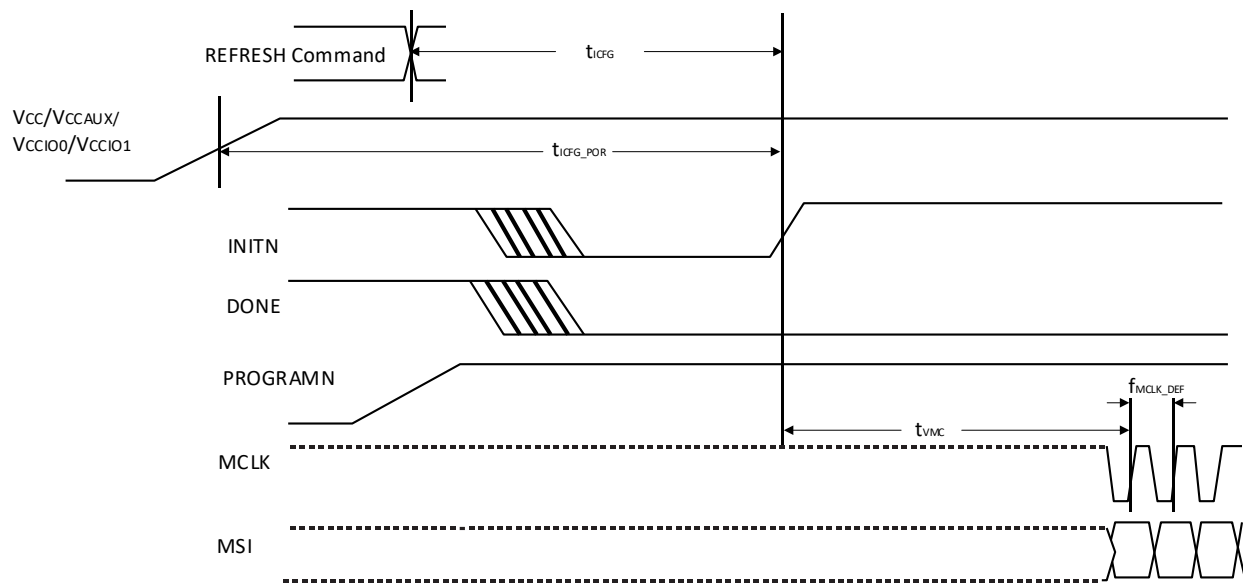


Figure 3.14. Master SPI POR/REFRESH Timing

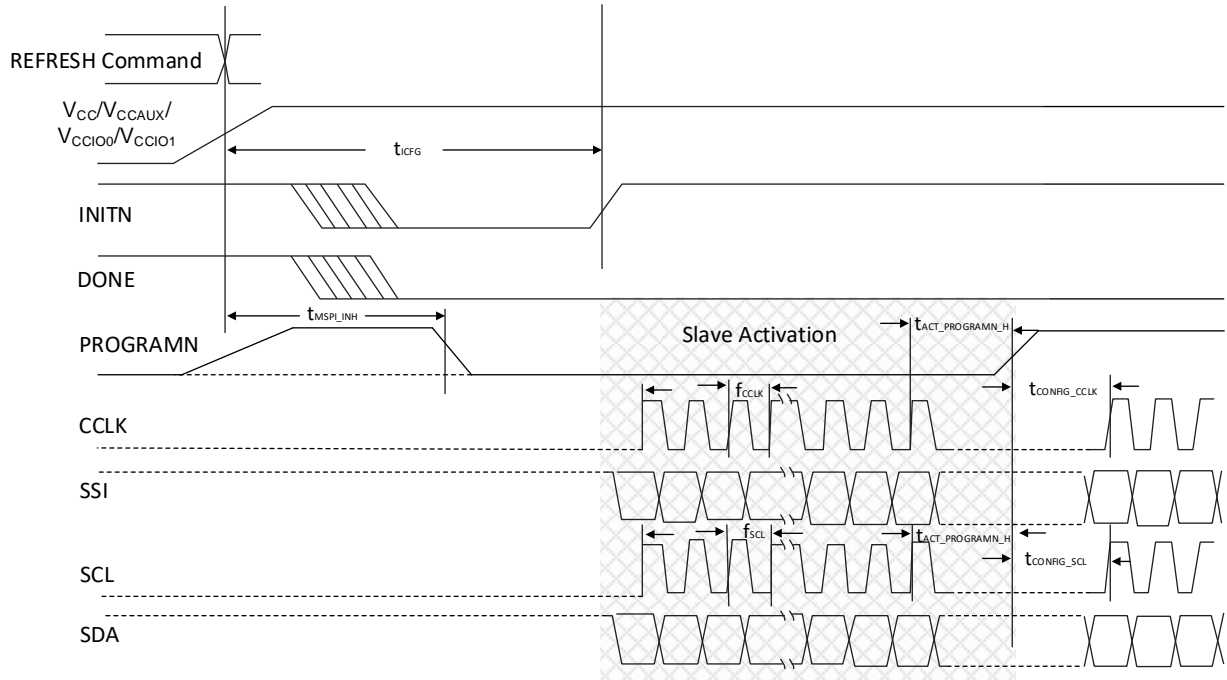


Figure 3.15. Slave SPI/I²C/I³C POR/REFRESH Timing

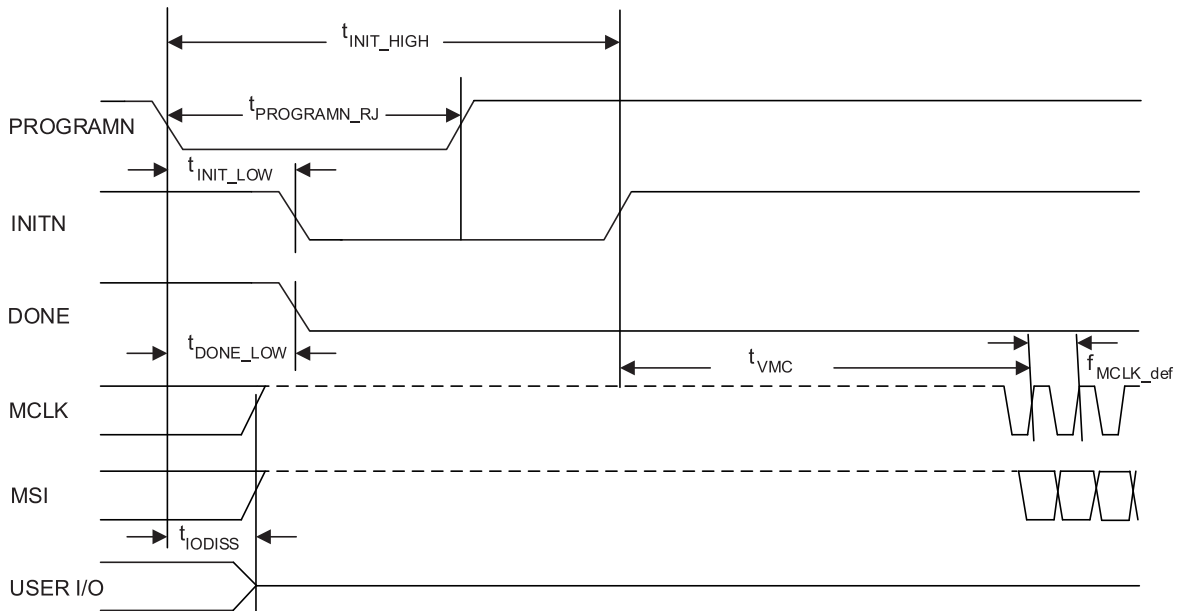


Figure 3.16. Master SPI PROGRAMN Timing

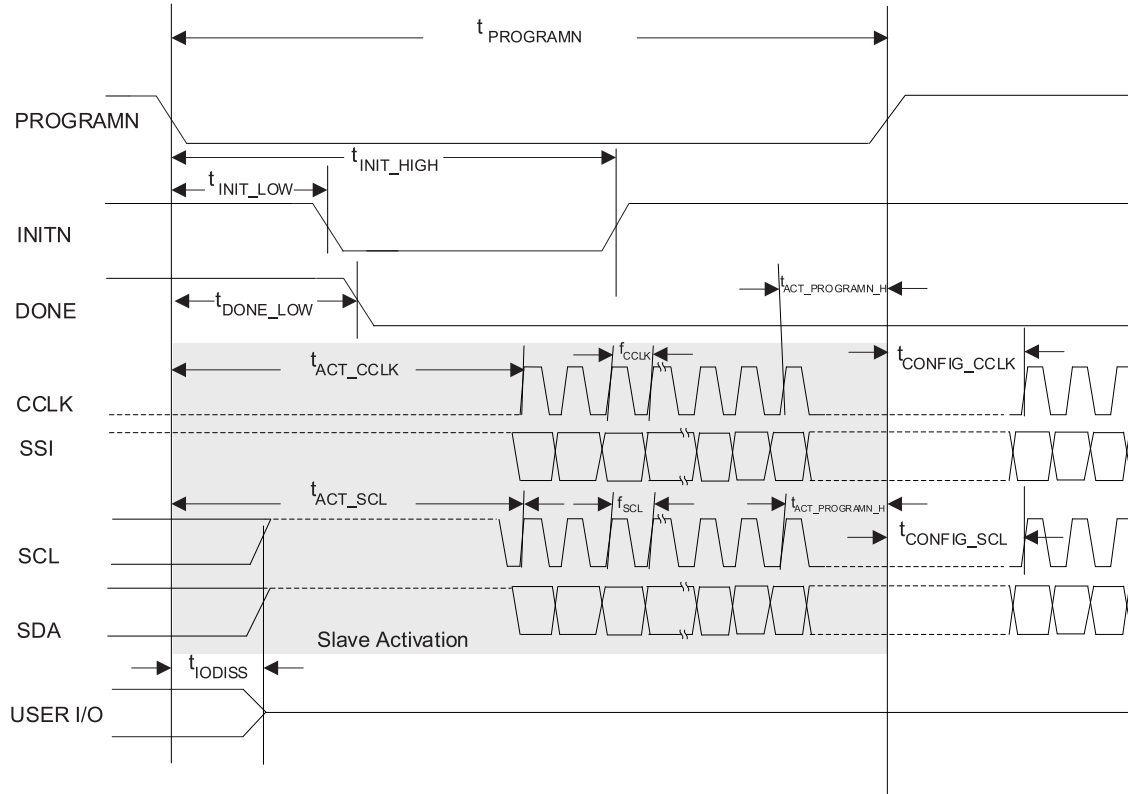


Figure 3.17. Slave SPI/I²C/I3C PROGRAMN Timing

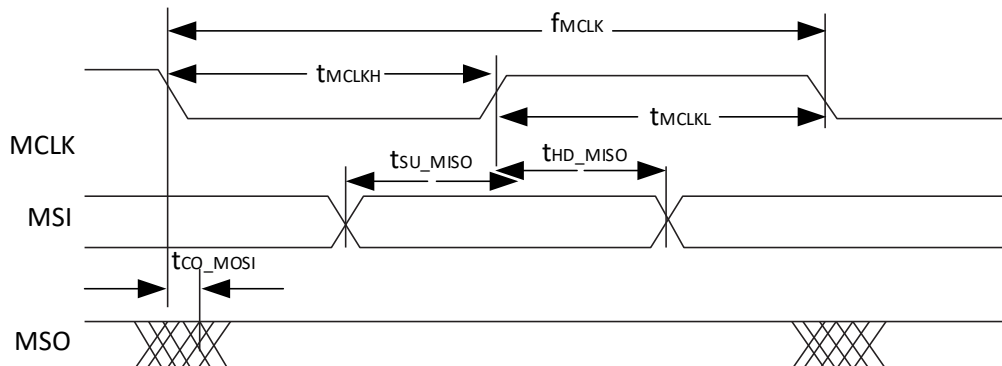


Figure 3.18. Master SPI Configuration Timing

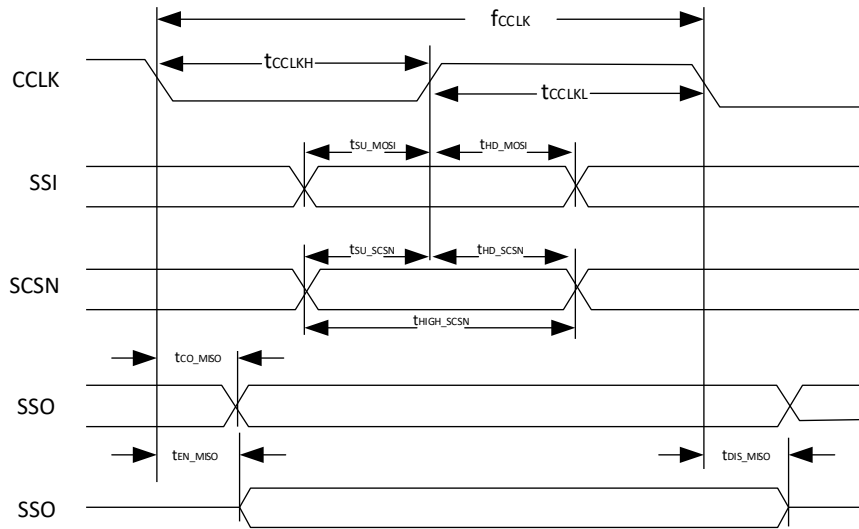


Figure 3.19. Slave SPI Configuration Timing

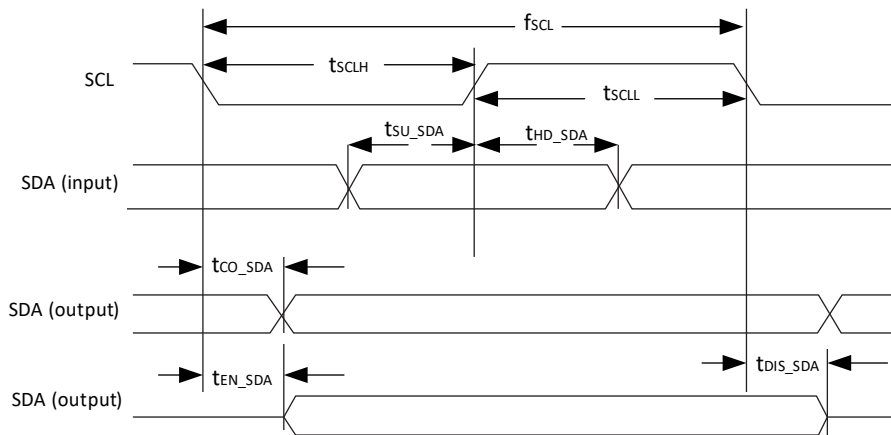


Figure 3.20. I²C / I3C Configuration Timing

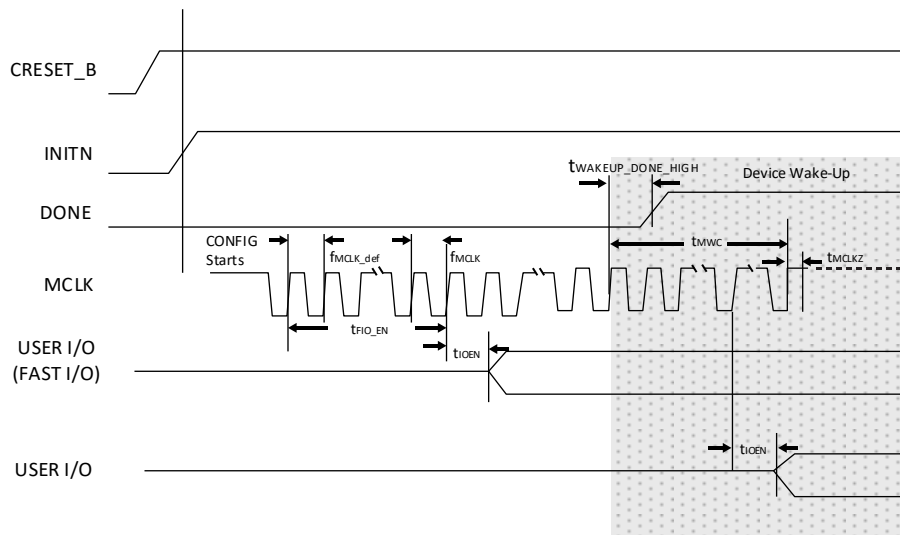


Figure 3.21. Master SPI Wake-Up Timing

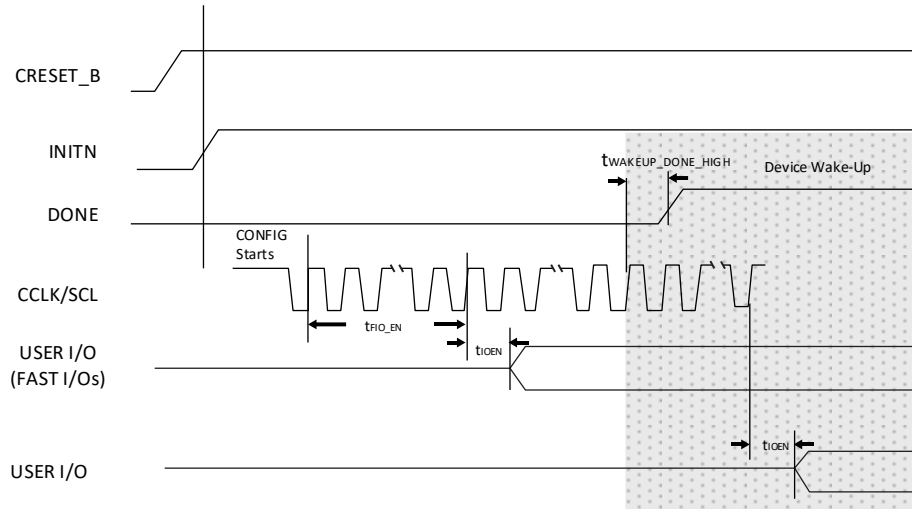
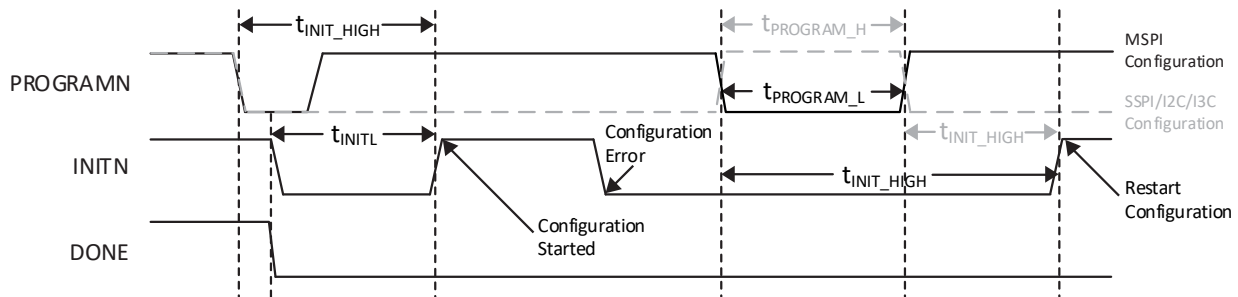


Figure 3.22. Slave SPI/I²C/I³C Wake-Up Timing



Note: t_{INITL} = SRAM Memory Initialization Period

Figure 3.23. Configuration Error Notification

3.22. AON Block Specifications ($V_{CCAUX_AON} = 1.8V$)

Over recommended operating conditions.

Table 3.38. AON Block Specification ($V_{CCAUX_AON} = 1.8 V$)

Symbol	Description	Condition	Min	Typ.	Max	Unit
I_{CCAUX_AON}	AON Supply Current	—	—	70	—	uA
$f_{OSC_AON_TIMER_CAL}$	Internal timer calibration frequency	—	—	11	—	kHz
t_{PWRDN}	Power down time	—	—	—	90	sec
t_{PWRDN}	Power down time	—	2.5	—	—	ms

Note: AON is only supported in LIFCL-33U.

3.23. Hardened USB Specifications

Over recommended operating conditions.

Table 3.39. Hardened USB2 Specifications

Symbol	Description	Condition	Min	Typ.	Max	Unit
f _{REF_CLK}	Reference Clock Frequency	—	12/24/60			MHz
t _{OFFSET}	Clock offset	—	-300	—	300	ppm
t _{DUTY}	Clock duty cycle	—	40	—	60	%
t _{RAN_JIT}	Random Jitter	—	—	—	3 ²	ps
t _{P2P_JIT}	Period to Period Jitter	—	-100	—	100 ³	ps

Notes:

1. USB 2.0 is only supported in LIFCL-33U.
2. t_{RAN_JIT} 1.5M to Nyquist frequency (Clock frequency/2).
3. t_{P2P_JIT} is less than 10 MHz.

Table 3.40. Hardened USB3 Specifications

Symbol	Description	Condition	Min	Typ.	Max	Unit
f _{REF_CLK}	Reference Clock Frequency	—	25/50/60			MHz
t _{OFFSET}	Clock offset	—	-150	—	150	ppm
t _{DUTY}	Clock duty cycle	—	40	—	60	%
t _{RAN_JIT}	Random Jitter	—	—	—	3 ²	ps
t _{SKEW}	Clock Skew	—	—	—	200	ps
t _{P2P_JIT}	Period to Period Jitter	—	-75	—	75 ³	ps
V _{COMM}	Input Common Mode Level	—	0	—	AVDD--0.5 * Peak-Peak Differential swing ⁴	V

Notes:

1. USB 3.2 Gen 1 is only supported in LIFCL-33U -9 speed grade.
2. t_{RAN_JIT} 1.5M to Nyquist frequency (Clock frequency/2).
3. t_{P2P_JIT} is less than 10 MHz.
4. V_{COMM} is only for external REFCLK:REFIN_CLK_EXT_P/N.

3.24. JTAG Port Timing Specifications

Over recommended operating conditions.

Table 3.41. JTAG Port Timing Specifications

Symbol	Parameter	Min	Typ.	Max	Units
f _{MAX}	TCK clock frequency	—	—	25	MHz
t _{BTCPH}	TCK clock pulse width high	20	—	—	ns
t _{BTCPL}	TCK clock pulse width low	20	—	—	ns
t _{BTS}	TCK TAP setup time	5	—	—	ns
t _{BTH}	TCK TAP hold time	5	—	—	ns
t _{BTRF}	TAP controller TDO rise/fall time ¹	100	—	—	mV/ns
t _{BTCO}	TAP controller falling edge of clock to valid output	—	—	14	ns
t _{BTCODIS}	TAP controller falling edge of clock to valid disable	—	—	14	ns

Symbol	Parameter	Min	Typ.	Max	Units
t_{BTCOEN}	TAP controller falling edge of clock to valid enable	—	—	14	ns
t_{BTCRS}	BSCAN test capture register setup time	8	—	—	ns
t_{BTRH}	BSCAN test capture register hold time	25	—	—	ns
t_{BUTCO}	BSCAN test update register, falling edge of clock to valid output	—	—	25	ns
t_{BTUODIS}	BSCAN test update register, falling edge of clock to valid disable	—	—	25	ns
t_{BTUPOEN}	BSCAN test update register, falling edge of clock to valid enable	—	—	25	ns

Note:

- Based on default I/O setting of slow slew rate.

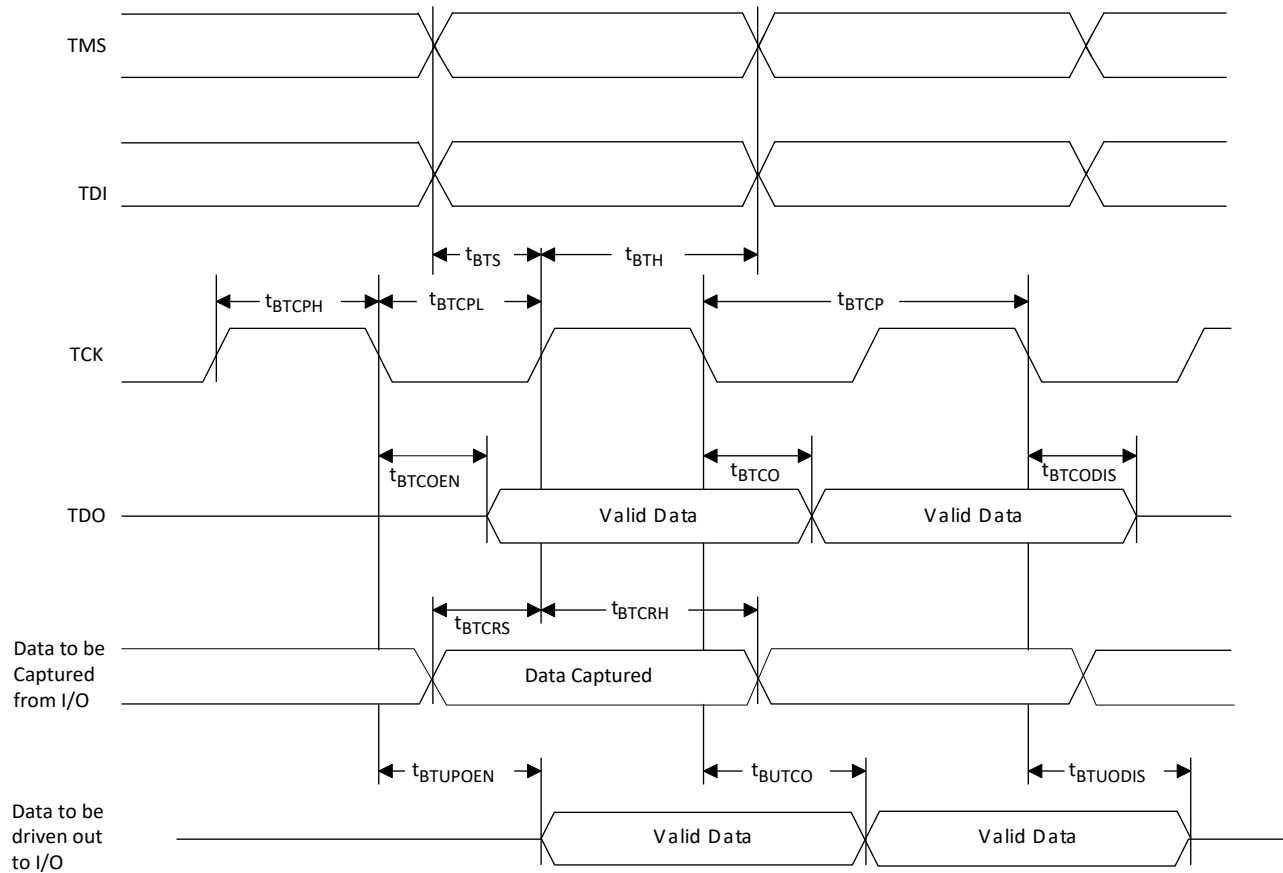
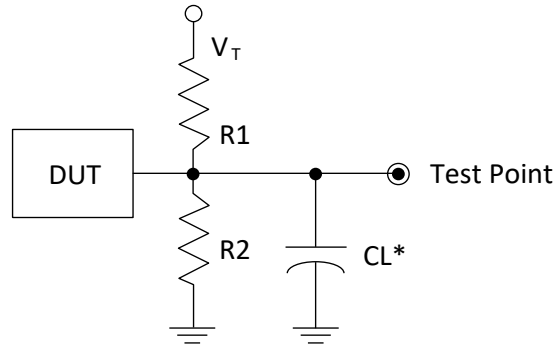


Figure 3.24. JTAG Port Timing Waveforms

3.25. Switching Test Conditions

Figure 3.25 shows the output test load that is used for AC testing. The specific values for resistance, capacitance, voltage, and other test conditions are listed in Table 3.42.



*CL Includes Test Fixture and Probe Capacitance

Figure 3.25. Output Test Load, LVTTTL, and LVCMOS Standards

Table 3.42. Test Fixture Required Components, Non-Terminated Interfaces

Test Condition	R ₁	R ₂	C _L	Timing Ref.	V _T
LVTTTL and other LVCMOS settings (L ≥ H, H ≥ L)	∞	∞	0 pF	LVCMOS 3.3 = 1.5 V	—
				LVCMOS 2.5 = V _{CCIO} /2	—
				LVCMOS 1.8 = V _{CCIO} /2	—
				LVCMOS 1.5 = V _{CCIO} /2	—
				LVCMOS 1.2 = V _{CCIO} /2	—
LVCMOS 2.5 I/O (Z ≥ H)	∞	1 MΩ	0 pF	V _{CCIO} /2	—
LVCMOS 2.5 I/O (Z ≥ L)	1 MΩ	∞	0 pF	V _{CCIO} /2	V _{CCIO}
LVCMOS 2.5 I/O (H ≥ Z)	∞	100	0 pF	V _{OH} - 0.10	—
LVCMOS 2.5 I/O (L ≥ Z)	100	∞	0 pF	V _{OL} + 0.10	V _{CCIO}

Note: Output test conditions for all other interfaces are determined by the respective standards.

4. Pinout Information

4.1. Signal Descriptions

Signal Name	Bank	Type	Description
Power and GND			
V _{SS} , AV _{SSx} , V _{SS_AON} ¹	—	GND	Ground for internal FPGA logic, USB logic, Always ON (AON), and I/O
V _{CC}	—	Power	Power supply pins for core logic. V _{CC} is connected to 1.0 V (nom.) supply voltage. Power On Reset (POR) monitors this supply voltage.
V _{CCAUXA}	—	Power	Auxiliary power supply pin for internal analog circuitry. This supply is connected to 1.8 V (nom.) supply voltage. POR monitors this supply voltage.
V _{CCAUX}	—	Power	Auxiliary power supply pin for I/O Bank 0, Bank 1, and Bank 5. This supply is connected to 1.8 V (nom.) supply voltage, and is used for generating stable drive current for the I/O.
V _{CCAUXHX}	—	Power	Auxiliary power supply pin for I/O Bank 2, Bank 3, and Bank 4. This supply is connected to 1.8 V (nom.) supply voltage and is used for generating stable current for the differential input comparators.
V _{CCAUX_AON} ¹	81	Power	Auxiliary power for Always ON (AON) functional block
AVDD33 ¹	80	Power	3.3 V power for Hardened USB Block
AVDD18, AVDD18_TX, AVDD18_COM ¹	80	Power	1.8 V power for Hardened USB Block
AVDD, AVDD_TX ¹	80	Power	1.0 V power for Hardened USB Block
V _{CCIOx}	0-4 ² 0-5 ³	Power	Power supply pins for I/O bank x. For x = 0, 1, and 5, V _{CCIO} can be connected to (nom.) 1.2 V, 1.5 V, 1.8 V, 2.5 V, or 3.3 V. For x = 2, 3, and 4, V _{CCIO} can be connected to (nom.) 1.0 V, 1.2 V, 1.35 V, 1.5 V, or 1.8 V. There are dedicated and shared configuration pins in banks 0 and 1. POR monitors these banks supply voltages.
Dedicated Pins			
Dedicated Configuration I/O Pin			
JTAG_EN	1	Input	LVC MOS input pin. This input selects the JTAG shared GPIO to be used for JTAG 0 = GPIO 1 = JTAG
Misc Pins			
NC	—	—	No connect.
RESERVED	—	—	This pin is reserved and should not be connected to anything on the board.
Always ON (AON) I/O Pins			
AON_xxx ¹	81	Input, Output	Dedicated input and output pin for AON function
USB I/O Pins			
DP/DM, TX_M/P, RX_M/P	—	Input, Output	USB Data pins
REFIN_CLK_EXT_P/N	—	Input	USB Clock Pins
VBUS, REXT23	—	Input, Output	USB Control pins

Signal Name	Bank	Type	Description
General Purpose I/O Pins			
P[T/B] [Number]_[A/B]	T = 0, 1, 5 B = 2, 3, 4	Input, Output, Bi-Dir	<p>Programmable User I/O: [T/B/L/R] indicates the package pin/ball is in T (Top), B (Bottom) of the device. [Number] identifies the PIO [A/B] pair. [A/B] shows the package pin/ball is A or B signal in the pair. PIO A and PIO B are grouped as a pair. Each A/B pair in the bottom banks supports true differential input and output buffers. When configured as differential input, differential termination of 100 Ω can be selected. Each A/B pair in the top bank does not support true differential input or output buffer. It supports all single-ended inputs and outputs, and can be used for emulated differential output buffer. Some of these user-programmable I/O are used during configuration, depending on the configuration mode. User needs to make appropriate connection on the board to isolate the two different functions before/after configuration. Some of these user-programmable I/O are shared with special function pins. These pins, when not used as special purpose pins, can be programmed as I/O for user logic. During configuration the user-programmable I/O are tri-stated with an internal weak pull-down resistor enabled. If any pin is not used (or not bonded to a package pin), it is tri-stated and default to have weak pull-down enabled after configuration.</p>
Shared Configuration Pins			
<ol style="list-style-type: none"> These pins can be used for configuration during configuration mode. When configuration is completed, these pins can be used as GPIO, or shared function in GPIO. When these pins are used in dual function, the users need to isolate the signal paths for the dual functions on the board. The pins used are defined by the configuration modes detected. Slave SPI or I²C/I3C modes are detected during slave activation. Pins that are not used in the configuration mode selected are tri-stated during configuration, and can connect directly as GPIO in user's function. 			
PTxxx/SDA/USER_SDA	1	Input, Output, Bi-Dir	<p>Configuration: I²C/I3C Mode: SDA signal User Mode: PTxxx: GPIO User_SDA: SDA signal for I²C/I3C interface</p>
PTxxx/SCL/USER_SCL	1	Input, Output, Bi-Dir	<p>Configuration: I²C/I3C Mode: SCL signal User Mode: PTxxx: GPIO User_SDA: SCL signal for I²C/I3C interface</p>
PTxxx/TDO/SSO	1	Input, Output, Bi-Dir	<p>Configuration: Slave SPI Mode: Slave Serial Output User Mode: PTxxx: GPIO TDO: When JTAG_EN = 1, used as TDO signal for JTAG</p>
PTxxx/TDI/SSI	1	Input, Output, Bi-Dir	<p>Configuration: Slave SPI Mode: Slave Serial Input User Mode: PTxxx: GPIO TDI: When JTAG_EN = 1, used as TDI signal for JTAG</p>

Signal Name	Bank	Type	Description
PTxxx/TMS/SCSN	1	Input, Output, Bi-Dir	Configuration: Slave SPI Mode: Slave Chip Select User Mode: PTxxx: GPIO TMS: When JTAG_EN = 1, used as TMS signal for JTAG
PTxxx/TCK/SCLK	1	Input, Output, Bi-Dir	Configuration: Slave SPI Mode: Slave Clock Input User Mode: PTxxx: GPIO TCK: When JTAG_EN = 1, used as TCK signal for JTAG
PTxxx/MCSNO	0	Input, Output, Bi-Dir	Configuration: Flow-through Daisy Chain Mode: Chip Select Output User Mode: PTxxx: GPIO
PTxxx/MD3	0	Input, Output, Bi-Dir	Configuration: Master Quad SPI Mode: I/O3 User Mode: PTxxx: GPIO
PTxxx/MD2	0	Input, Output, Bi-Dir	Configuration: Master Quad SPI Mode: I/O2 User Mode: PTxxx: GPIO
PTxxx/MSI/MD1	0	Input, Output, Bi-Dir	Configuration: Master SPI Mode: Master Serial Input Master Quad SPI Mode: I/O1 User Mode: PTxxx: GPIO
PTxxx/MSO/MD0	0	Input, Output, Bi-Dir	Configuration: Master SPI Mode: Master Serial Output Master Quad SPI Mode: I/O0 User Mode: PTxxx: GPIO
PTxxx/MCSN/PCLKTO_1	0	Input, Output, Bi-Dir	Configuration: Master SPI Mode: Master Chip Select Output User Mode: PTxxx: GPIO PCLKTO_0: Top PCLK Input
PTxxx/MCLK/PCLKTO_0	0	Input, Output, Bi-Dir	Configuration: Master SPI Mode: Master Clock Output User Mode: PTxxx: GPIO PCLKTO_1: Top PCLK Input
PTxxx/PROGRAMN	0	Input, Output, Bi-Dir	Configuration: PROGRAMN: Initiate configuration sequence when asserted LOW. User Mode: PTxxx: GPIO

Signal Name	Bank	Type	Description
PTxxx/INITN	0	Input, Output, Bi-Dir	Configuration: INITN: Open Drain I/O pin. This signal is driven to LOW when configuration sequence is started, to indicate the device is in initialization state. This signal is released after initialization is completed, and the configuration download can start. User can keep drive this signal LOW to delay configuration download to start. User Mode: PTxxx: GPIO
PTxxx/DONE	0	Input, Output, Bi-Dir	Configuration: DONE: Open Drain I/O pin. This signal is driven to LOW during configuration time. It is released to indicate the device has completed configuration. User can keep drive this signal LOW to delay the device to wake up from configuration. User Mode: PTxxx: GPIO
Shared User GPIO Pins			
<ol style="list-style-type: none"> Shared User GPIO pins are pins that can be used as GPIO, or functional pins that connect directly to specific functional blocks, when device enters into User Mode. Declaring on assigning the pin as GPIO or specific functional pin is done by configuration bitstream, except JTAG pins. JTAG pins are controlled by JTAG_EN signal. When JTAG_EN = 1, the pins are used for JTAG interface. When JTAG = 0, the pins are used as GPIO or specific functional pin defined by configuration bitstream. Refer to package pin file. 			
Shared JTAG Pins			
PTxxx/TDO/yyyy	1	Input, Output, Bi-Dir	User Mode: PTxxx: GPIO TDO: When JTAG_EN = 1, used as TDO signal for JTAG yyyy: Other possible selectable specific functional
PTxxx/TDI/yyyy	1	Input, Output, Bi-Dir	User Mode: PTxxx: GPIO TDI: When JTAG_EN = 1, used as TDI signal for JTAG yyyy: Other possible selectable specific functional
PTxxx/TMS/yyyy	1	Input, Output, Bi-Dir	User Mode: PTxxx: GPIO TMS: When JTAG_EN = 1, used as TMS signal for JTAG yyyy: Other possible selectable specific functional
PTxxx/TCK/ yyy	1	Input, Output, Bi-Dir	User Mode: PTxxx: GPIO TCK: When JTAG_EN = 1, used as TCK signal for JTAG Yyyy: Other possible selectable specific functional

Signal Name	Bank	Type	Description
Shared CLOCK Pins			
1. Some PCLK pins can also be used as GPLL reference clock input pin. Refer to sysCLOCK PLL Design and User Guide for Nexus Platform (FPGA-TN-02095) .			
PBxxx/PCLK[T,C][2,3,4]_[0-3]/yyyy	2, 3, 4	Input, Output, Bi-Dir	User Mode: PBxxx: GPIO PCLK: Primary Clock or GPLL Refclk signal [T,C] = True/Complement when using differential signaling [2,3,4] = Bank [0-3] Up to 4 signals in the bank yyyy: Other possible selectable specific functional
PTxxx/PCLKT0_[0-1]/yyyy	0	Input, Output, Bi-Dir	User Mode: PTxxx: GPIO PCLKT: Primary Clock or GPLL Refclk signal (Only Single Ended) [0-1] Up to 2 signals in the bank yyyy: Other possible selectable specific functional
PTxxx/PCLKT1_[0-3]/yyyy	1	Input, Output, Bi-Dir	User Mode: PTxxx: GPIO PCLKT: Primary Clock or GPLL Refclk signal (Only Single Ended) [0-2] Up to 3 signals in the bank yyyy: Other possible selectable specific functional
PBxxx/PCLK2_[0-3]/yyyy	2	Input, Output, Bi-Dir	User Mode: PBxxx: GPIO yyyy: Other possible selectable specific functional
PBxxx/LLC_GPLL[T,C]_IN/yyyy	4	Input, Output, Bi-Dir	User Mode: PBxxx: GPIO LLC_GPLL: Lower Left GPLL Refclk signal (PLLCK) [T,C] = True/Complement when using differential signaling yyyy: Other possible selectable specific functional
Shared VREF Pins			
PBxxx/VREF[2,3,4]_[1-2]/yyyy	2, 3, 4	Input, Output, Bi-Dir	User Mode: PBxxx: GPIO VREF: Reference Voltage for DDR memory function [2,3,4] = Bank [1-2] Up to VREFs for each bank yyyy: Other possible selectable specific functional

Notes:

1. AON and all AVDD signals are only supported in LIFCL-33U.
2. Bank 0 to Bank 4 are supported in LIFCL-33U only.
3. Bank 0 to Bank 5 are supported in LIFCL-33 only.

4.2. Pin Information Summary

Pin Information Summary		NX33-84WLCSP	NX33U-84WLCSP	NX33U-104FCCSP
User I/O Pins				
General Purpose I/O per Bank	Bank 0	7	7	8
	Bank 1	11	9	11
	Bank 2	14	14	16
	Bank 3	10	11	12
	Bank 4	2	2	4
	Bank 5	15	0	0
Total Single-Ended User I/O		59	43	51
Differential I/O Pairs	Bank 0	3	3	4
	Bank 1	5	4	5
	Bank 2	7	7	8
	Bank 3	5	5	6
	Bank 4	1	1	2
	Bank 5	7	0	0
Total Differential I/O Pairs		28	20	25
Power Pins				
VCC		5	5	7
VCCAUX		5	5	5
VCCIO	Bank 0	1	1	1
	Bank 1	1	1	1
	Bank 2	1	1	1
	Bank 3	1	1	1
	Bank 4	1	1	1
	Bank 5	1	0	0
Total Power Pins		16	15	17
GND Pins				
VSS		8	8	11
Total GND Pins		8	8	11
USB Hardened Block Pins				
Hardened USB Pairs		0	3	4
REXT23		0	1	1
VBUS		0	1	1
AVDD		0	4	6
AVSS		0	2	4
Always ON Block Pins				
Always ON I/O		0	2	2
VCCAUX		0	1	1
VSS		0	0	1

Pin Information Summary		NX33-84WLCSP	NX33U-84WLCSP	NX33U-104FCCSP
Dedicated Miscellaneous Pins				
JTAGEN		1	1	1
Shared Pins				
Shared Configuration Pins	Bank 0	7	7	7
	Bank 1	9	8	9
	Bank 2	0	0	0
	Bank 3	0	0	0
	Bank 4	0	0	0
	Bank 5	0	0	0
Shared JTAG Pins	Bank 0	0	0	0
	Bank 1	4	4	4
	Bank 2	0	0	0
	Bank 3	0	0	0
	Bank 4	0	0	0
	Bank 5	0	0	0
Shared PCLK Pins	Bank 0	0	0	0
	Bank 1	4	4	4
	Bank 2	8	8	8
	Bank 3	8	8	8
	Bank 4	2	2	2
	Bank 5	0	0	0
Shared GPLL Pins	Bank 0	0	0	0
	Bank 1	0	0	0
	Bank 2	0	0	0
	Bank 3	0	0	0
	Bank 4	0	0	2 ¹
	Bank 5	0	0	0
Shared VREF Pins	Bank 0	0	0	0
	Bank 1	0	0	0
	Bank 2	2	2	2
	Bank 3	2	2	2
	Bank 4	1	1	2
	Bank 5	0	0	0

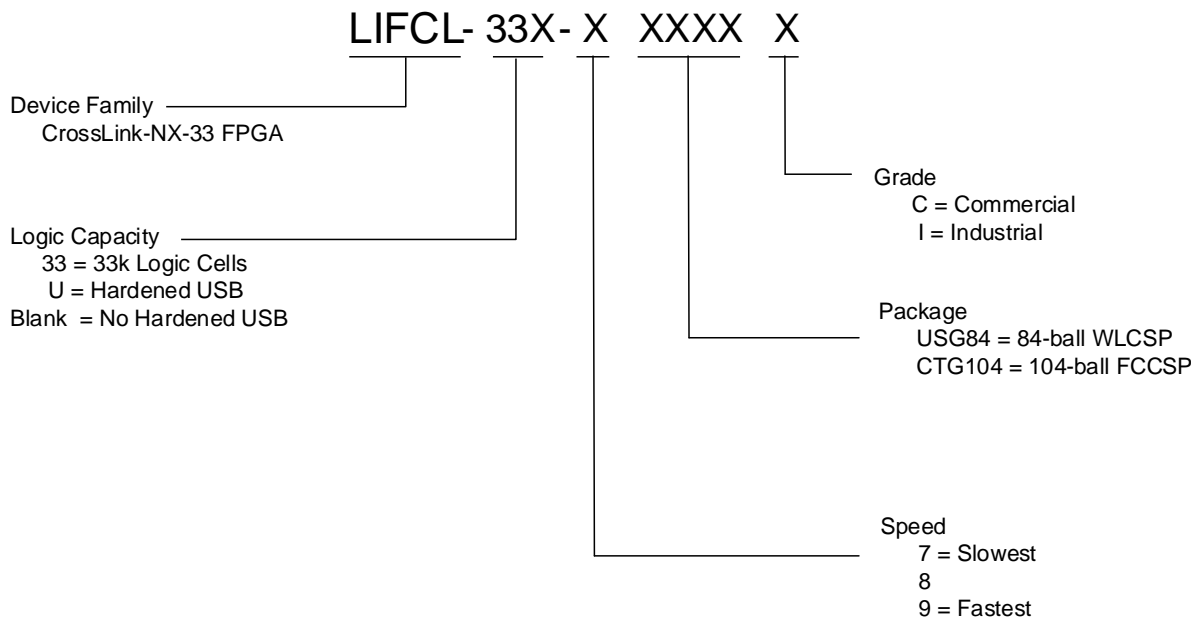
Note:

1. GPLL is only supported in 104 package of LIFCL-33U.

5. Ordering Information

Lattice provides a wide variety of services for its products including custom marking, factory programming, known good die, and application specific testing. Contact the local sales representatives for more details.

5.1. Part Number Description



Note: ECC is only available on CTG104 -8 and -9 speed grade devices. USB 3.2 Gen 1 is only supported in LIFCL-33U -9 speed grade.

5.2. Ordering Part Numbers

5.2.1. Commercial

Part Number	Speed	Package	Pins	Grade	Logic Cells (k)
LIFCL-33-8USG84C	-8	Lead free WLCSP	84	Commercial	33
LIFCL-33U-7CTG104C	-7	Lead free FCCSP	104	Commercial	33
LIFCL-33U-8USG84C	-8	Lead free WLCSP	84	Commercial	33
LIFCL-33U-8CTG104C	-8	Lead free FCCSP	104	Commercial	33
LIFCL-33U-9CTG104C	-9	Lead free FCCSP	104	Commercial	33

5.2.2. Industrial

Part Number	Speed	Package	Pins	Grade	Logic Cells (k)
LIFCL-33-8USG84I	-8	Lead free WLCSP	84	Industrial	33
LIFCL-33U-7CTG104I	-7	Lead free FCCSP	104	Industrial	33
LIFCL-33U-8USG84I	-8	Lead free WLCSP	84	Industrial	33
LIFCL-33U-8CTG104I	-8	Lead free FCCSP	104	Industrial	33
LIFCL-33U-9CTG104I	-9	Lead free FCCSP	104	Industrial	33

References

- [CrossLink-NX web page](#)

A variety of technical notes for LIFCL-33/33U devices are available.

- [CrossLink-NX-33 and CrossLinkU-NX High-Speed I/O Interface \(FPGA-TN-02280\)](#)
- [CrossLink-NX Single Event Upset \(SEU\) Report \(FPGA-TN-02174\)](#)
- [High-Speed PCB Design Considerations \(FPGA-TN-02178\)](#)
- [I²C Hardened IP User Guide for Nexus Platform \(FPGA-TN-02142\)](#)
- [Lattice Memory Mapped Interface and Lattice Interrupt Interface User Guide \(FPGA-UG-02039\)](#)
- [Memory User Guide for Nexus Platform \(FPGA-TN-02094\)](#)
- [Multi-Boot User Guide for Nexus Platform \(FPGA-TN-02145\)](#)
- [Power Management and Calculation for CrossLink-NX Devices \(FPGA-TN-02075\)](#)
- [Soft Error Detection \(SED\)/Correction \(SEC\) User Guide for Nexus Platform \(FPGA-TN-02076\)](#)
- [sub-LVDS Signaling Using Lattice Devices \(FPGA-TN-02028\)](#)
- [sysCLOCK PLL Design and User Guide for Nexus Platform \(FPGA-TN-02095\)](#)
- [sysCONFIG User Guide for Nexus Platform \(FPGA-TN-02099\)](#)
- [sysDSP User Guide for Nexus Platform \(FPGA-TN-02096\)](#)
- [sysI/O User Guide for Nexus Platform \(FPGA-TN-02067\)](#)
- [Thermal Management \(FPGA-TN-02044\)](#)
- [Using TraceID \(FPGA-TN-02084\)](#)

For more information on the LIFCL-33/33U-related IP, reference designs, and board documents, refer to the following pages:

- [IP and Reference Designs for CrossLink-NX](#)
- [Development Kits and Boards for CrossLink-NX](#)

For further information on interface standards refer to the following websites:

- JEDEC Standards (LVTTTL, LVCMOS, SSTL) – www.jedec.org

Other references:

- [Lattice Insights](#) for Lattice Semiconductor training courses and learning plans
- [Lattice Radiant](#) FPGA design software

Technical Support Assistance

Submit a technical support case through www.latticesemi.com/techsupport.

For frequently asked questions, refer to the Lattice Answer Database at www.latticesemi.com/Support/AnswerDatabase.

Revision History

Revision 1.0, July 2024

Section	Change Summary
All	Moved document status to <i>Production Release</i> .
Acronyms in This Document	Added row for PIPE.
General Description	<ul style="list-style-type: none"> Updated Table 1.1. LIFCL-33/33U Key Features to change AXI4-Streaming to <i>AXI protocol</i> and added speed grade limitations in USB2.0/USB3.2 section. Updated the following in Table 1.2. LIFCL-33/33U Commercial/Industrial Family Selection Guide: <ul style="list-style-type: none"> Added table note and reference to table note for GPLL. Added table note and reference to table note for USB2.0/USB3.2. Removed Soft D-PHY table note.
Architecture	<ul style="list-style-type: none"> Added document reference to AON IP User Guide in Always On (AON) section. Removed LS (1.5 Mbps) mode in USB section. Added document reference to USB 2.0/3.2 IPUG in USB RISC-V Firmware Stack and Host Software Interface section. Changed on board to <i>on-chip</i> and added document reference to OSC IPUG in On-Chip Oscillator. Changed Responder to <i>Target</i> in User I²C IP.
DC and Switching Characteristics for Commercial and Industrial	<ul style="list-style-type: none"> Updated Table 3.1. Absolute Maximum Ratings: <ul style="list-style-type: none"> Added $V_{CCAUXH2}$ and removed $V_{CCAUXH5}$. Changed $V_{CCIO0, 1, 2, 6, 7}$ to $V_{CCIO0, 1, 5}$. Changed $V_{CCIO3, 4, 5}$ to $V_{CCIO2, 3, 4}$. Added reference to footnote 5 in AVDD33. Changed to <i>All AVDD</i> in footnote 5. Updated the following in Table 3.2. Recommended Operating Conditions: <ul style="list-style-type: none"> Changed $V_{CCAUXH2/3/4/5}$ to $V_{CCAUXH2/3/4}$. Added reference to footnote 5 in AVDD33. Changed to <i>All AVDD</i> in footnote 5. Added reference to footnote 2 in Power Supply Ramp Rates2 section. Fixed Differential typo in footnote of Table 3.5. On-Chip Termination Options for Input Modes. Fixed typo from $T_A 25$ to $T_A = 25$ in Table 3.9. Capacitors – Wide Range and Table 3.10. Capacitors – High Performance. Updated MIPI D-PHY to <i>MIPI_DPHY</i> in Table 3.13. sysI/O Recommended Operating Conditions. Updated the following in Table 3.29. Maximum I/O Buffer Speed: <ul style="list-style-type: none"> Updated LVDS, SLVS, and MIPI D-PHY in Maximum sysI/O Output Frequency Differential section to collapse rows and updated values for USG84 and CTG104 packages. Changed MIPI LP and MIPI HS table note to <i>MIPI D-PHY LP and MIPI D-PHY HS</i>. Updated the following in Table 3.33. External Switching Characteristics (VCC = 1.0 V): <ul style="list-style-type: none"> Added -9 device column and values. Updated -8 and -7 Min values for t_{SU} and t_{H_DELPLL} to 0. Updated -8 Max value for Generic DDRX2 I/O with Clock and Data Centered ½ UI from 500 to —. Updated f_{DATA_GDDR4} to keep it in one row and Max values for -8 and 7 at 1200 and 1034, respectively; updated Description to <i>Input/Output Data Rate</i>. Updated Table 3.37. sysCONFIG Port Timing Specifications to change $t_{PROGRAMN}$ to $t_{PROGRAMN_L}$ and added row for $t_{PROGRAMN_H}$. Added Figure 3.23. Configuration Error Notification. Added footnote in Table 3.38. AON Block Specification (VCCAUX_AON = 1.8 V).

Section	Change Summary
	<ul style="list-style-type: none"> Updated the following in Hardened USB Specifications: <ul style="list-style-type: none"> Updated table name to Table 3.39. Hardened USB2 Specifications, removed t_{SKEW} row, updated $f_{\text{REF_CLK}}$ row values to merge Min, Typ, and Max cells, updated max value of $t_{\text{RAN_JIT}}$, updated row of $t_{\text{P2P_JIT}}$ including symbol name, and added footnotes and reference to footnotes. Added Table 3.40. Hardened USB3 Specifications.
Pinout Information	<ul style="list-style-type: none"> Updated to <i>All AVDD</i> for footnote 1 in Signal Descriptions. Updated Pin Information Summary table to add table note and reference to table note for GPLL Bank 4 (NX33U-104FCCSP).
Ordering Information	<ul style="list-style-type: none"> Updated Part Number Description to add 9 speed grade and updated note for ECC (including adding support information for USB 3.2 Gen 1). Updated Ordering Part Numbers tables to add OPN for 9 CTG104 .

Revision 0.94, February 2024

Section	Change Summary
Architecture	<ul style="list-style-type: none"> Updated DDRDLL and Input Register Block section to remove DQSBUF information. Updated Edge Clock and sysI/O Buffer to remove DDR information. Removed DLL Calibrated DQS Delay and Control Block section.
DC and Switching Characteristics for Commercial and Industrial	<ul style="list-style-type: none"> Updated SubLVDS (Input Only) section to remove SMIA information. Updated Figure 3.15. Slave SPI/I2C/I3C POR/REFRESH Timing to remove $t_{\text{ICFG_POR}}$, $t_{\text{ACT_CLK}}$, $t_{\text{ACT_SCL}}$ and adjusted VCC/VCCAUX/VCCIO0/VCCIO1, REFRESH Command, CCLK, SSI, SCL, and SDA signals, adjusted rising edge of PROGRAMN, and changed $t_{\text{ACT_CRESETB_N}}$ to $t_{\text{ACT_PROGRAMN_H}}$ in the timing diagram. Updated Table 3.29. Maximum I/O Buffer Speed to remove DDR3/3L footnote. Updated GDDR4 Inputs/Outputs with Clocks and Data Centered values in Table 3.33. External Switching Characteristics (VCC = 1.0 V).

Revision 0.93, December 2023

Section	Change Summary
All	<ul style="list-style-type: none"> Updated document title to <i>CrossLink-NX-33 and CrossLinkU-NX</i>. Used <i>LIFCL-33/33U</i> to refer to the CrossLink-NX-33 and CrossLinkU-NX devices across the document.
Disclaimers	Updated this section.
General Description	Updated Table 1.2. LIFCL-33/33U Commercial/Industrial Family Selection Guide to change device name to <i>LIFCL-33</i> and <i>LIFCL-33U</i> .
Architecture	<ul style="list-style-type: none"> Updated Figure 2.7. Clocking to remove LMID and RMID and update number of PCLK pin for top and bottom I/O banks. Updated Figure 2.14. Comparison of General DSP, LIFCL-33, and LIFCL-33U Approaches to change to Function Implemented in <i>LIFCL-33</i> and <i>LIFCL-33U</i>.
DC and Switching Characteristics for Commercial and Industrial	Updated Table 3.31. Register-to-Register Performance to change Large Memory Function values to 195, 170, and 115, add table note reference to 1, 2, and 3, and change performance grade in table note 1 to 8.
References	Changed section name from Supplemental Information to <i>References</i> .
Technical Support Assistance	Added this section.

Revision 0.92, September 2023

Section	Change Summary
All	<ul style="list-style-type: none"> Added CrossLink-NX-33U support, including AON and USB, across the document. Changed document title from CrossLink-NX-33 to <i>CrossLink-NX-33 and CrossLink-NX-33U</i>.
Acronyms in This Document	<ul style="list-style-type: none"> Added AON, GPIO, MPS, and USB definition. Removed PCS from the acronym list.
General Description	<ul style="list-style-type: none"> Added USB 2.0, USB 3.2 Gen 1, and AON information for CrossLink-NX-33U only. Restructured the Features section by adding Table 1.1. CrossLink-NX-33 and CrossLink-NX-33U Key Features and updating the following in the table: <ul style="list-style-type: none"> Changed programmable sysI/O from 68 to 60. Updated support from 1.5 Gbps to 1.2 Gbps. Removed <i>SEU Mitigation Support</i> and its sub-items from the Cryptographic Engine section and added it as another main section. Removed AXI4-Streaming as main section and moved it under <i>Internal Bus Interface Support</i> section. Added AON and USB 2.0/USB 3.2 Gen 1 sections. Updated the following in Table 1.2. CrossLink-NX-33 and CrossLink-NX-33U Commercial/Industrial Family Selection Guide: <ul style="list-style-type: none"> Changed table name to add CrossLink-NX-33U. Added column for CrossLink-NX-33U. Added USB 2.0/USB 3.2 Gen 1 and AON support. Added 104 FCCSP package. Changed cell title to <i>Total I/O (Wide Range, High Performance)</i> and adjusted format. Updated support from 1.5 Gbps to 1.2 Gbps.
Architecture	<ul style="list-style-type: none"> Added Figure 2.2. CrossLink-NX-33U Simplified Block Diagram. Updated Figure 2.14. Comparison of General DSP, CrossLink-NX-33, and CrossLink-NX-33U Approaches to add CrossLink-NX-33U. Added text in sysI/O Banking Scheme specifying Bank 5 is supported in CrossLink-NX-33 and AON and USB signals in CrossLink-NX-33U only. Added Always On (AON) and USB sections. Updated Figure 2.29. Cryptographic Engine Block Diagram to change Unique ID to <i>Unique Device Secret</i> and HMAC SHA256 to <i>HMAC256</i>.

Section	Change Summary
DC and Switching Characteristics for Commercial and Industrial	<ul style="list-style-type: none"> Updated the following in Table 3.1. Absolute Maximum Ratings: <ul style="list-style-type: none"> Added V_{CCAUX_AON} and AVDD, AVDD_TX. Changed $V_{CCA_DPHY0_1}$ to AVDD33 and updated Max value to 3.63. Changed $V_{CC_DPHY0_1}$ to AVDD18, AVDD18_TX, AVDD18_COM and updated Max value to 1.98. Added VCCAUX_AON and rows for AVDD33, AVDD, AVDD_TX, AVDD18, AVDD18_TX, AVDD18_COM, and and AVDD, AVDD_TX in Table 3.2. Recommended Operating Conditions. Updated Table 3.14. sysI/O DC Electrical Characteristics – Wide Range I/O to change LVCMOS10 VIL Min value to 0.35 x VCCIO. Updated the following in Table 3.33. External Switching Characteristics (VCC = 1.0 V): <ul style="list-style-type: none"> Added column and values for -7 speed grade. Updated unit for t_{H_DEL} (Bottom). Changed -8 speed grade value of f_{MAX_GDDR2} to blank. Updated $f_{DATA_GDDR4_MP}$ to add rows per package. Added AON Block Specifications ($V_{CCAUX_AON} = 1.8V$) and Hardened USB Specifications sections.
Pinout Information	<ul style="list-style-type: none"> Updated the following in Signal Descriptions: <ul style="list-style-type: none"> Added AVSSx and V_{SS_AON} in V_{SS} signal and updated description to add USB logic and AON. Added rows for AVDD33, AVDD, AVDD_TX, AVDD18, AVDD18_TX, AVDD18_COM, and REFIN_CLK_EXT_P/N. Added table notes and reference to table notes to specify that AON and AVDD signals are supported in CrossLink-NX-33U as well as Bank 0-4, and Bank 0-5 are supported in CrossLink-NX-33. Added Pin Information Summary.
Ordering Information	<ul style="list-style-type: none"> Added new package option CTG104, -7 speed grade, and note for -8 speed grade in Part Number Description, as well as updated Logic Capacity to add Hardened USB. Added CrossLink-NX-33U part numbers in Ordering Part Numbers. Updated Commercial and Industrial tables to change column name from Temp to <i>Grade</i>.
Supplemental Information	<ul style="list-style-type: none"> Updated document links, rearranged list in alphabetical order, and updated document name for High-Speed I/O Interface and Hardware Checklist documents. Added references to the CrossLink-NX, Lattice Insights, and Lattice Radiant Web Page, IP Core, Reference Design, and Evaluation Board documents.

Revision 0.91, March 2023

Section	Change Summary
Acronyms in This Document	Removed MLVDS in the table.
Architecture	Adjustment in formatting to move Clocking Structure as sub-section under the Architecture section.
Supplemental Information	Added link for High Speed PCB Design Considerations (FPGA-TN-02178).
Technical Support Assistance	Added this section.

Revision 0.90, November 2022

Section	Change Summary
All	Removed EBR-ECC references across the document.
Architecture	<ul style="list-style-type: none"> Removed HSUL and SSTL references in the following sections and tables: <ul style="list-style-type: none"> sysI/O Buffer Supported sysI/O Standards Table 2.10. Single-Ended I/O Standards Table 2.11. Differential I/O Standards Table 2.12. Single-Ended I/O Standards Supported on Various Sides Table 2.13. Differential I/O Standards Supported on Various Sides
DC and Switching Characteristics for Commercial and Industrial	<ul style="list-style-type: none"> Removed Differential SSTL135D/SSTL15D and HSUL12D sections. Added row for tJIND and removed VCCIO DDR3L in Table 3.2. Recommended Operating Conditions. Updated max value of VCCAUX for VPORUP and VPORDN in Table 3.4. Power-On Reset. Removed HSUL and SSTL references in Table 3.5. On-Chip Termination Options for Input Modes and Table 3.29. Maximum I/O Buffer Speed. Removed table note referring to DDR3L and HSUL/SSTL references in Table 3.13. sysI/O Recommended Operating Conditions. Updated VOL (max), VOH (min), IOL and IOH for LVTTTL33/LVCMOS33 and LVCMOS25 in Table 3.14. sysI/O DC Electrical Characteristics – Wide Range I/O. Updated VIH (min) in HSTL15_I and removed SSTL and HSUL standards in Table 3.15. sysI/O DC Electrical Characteristics – High Performance I/O. Updated SE Input Termination min value from 71 to 67 in Table 3.16. I/O Resistance Characteristics. Updated Large Memory Function values in Table 3.31. Register-to-Register Performance. Updated the following in Table 3.33. External Switching Characteristics (VCC = 1.0 V): <ul style="list-style-type: none"> Updated max values of fMAX_PRI and tSKEW_PRI, and min value of tW_PRI in Primary Clock. Updated max values of fMAX_EDGE and tSKEW_EDGE, and min value of tW_EDGE in Edge Clock. Updated tCO max value, min value of tSU, tH, tSU_DEL, tH_DEL (top), and added tH_DEL (bottom) in General I/O Pin Parameters Using Dedicated Primary Clock Input without PLL. Updated max value of tCO_PLL, min value of tSU_PLL (top), tH_PLL, tSU_DELPLL, tH_DELPLL, and added tSU_PLL (bottom) in General I/O Pin Parameters Using Dedicated Primary Clock Input with PLL. Updated Generic DDR Input/Output group to reflect correct values. Removed SSTL and HSUL references in footnote 2. Added footnote and reference to footnote 6. Updated entire content of Table 3.37. sysCONFIG Port Timing Specifications to reflect correct values.
Ordering Information	Updated section content, including diagram, to remove -7 speed grade.

Revision 0.81, September 2022

Section	Change Summary
All	Minor changes in formatting, including removing product name from heading, figure, and table names.
DC and Switching Characteristics for Commercial and Industrial	<ul style="list-style-type: none"> Added Table 3.17. VIN Maximum Overshoot/Undershoot Allowance – Wide Range and Table 3.18. VIN Maximum Overshoot/Undershoot Allowance – High Performance. Updated footnote reference in the Differential groups in Table 3.29. Maximum I/O Buffer Speed. Updated DSP functions in Table 3.31. Register-to-Register Performance. Updated the following in Table 3.34. sysCLOCK PLL Timing (VCC = 1.0 V) – Commercial/Industrial: <ul style="list-style-type: none"> Raised minimum input clock frequency from 10 to 18 MHz. Raised minimum phase detector input frequency from 10 to 18 MHz; removed table note and table note reference. Corrected t_{PH} footnote. Removed and Added conditions for the t_{OPJIT} parameter to accurately reflect PLL jitter performance.

Revision 0.80, June 2022

Section	Change Summary
All	<ul style="list-style-type: none"> Changed document status to Preliminary. Minor adjustments in formatting across the document.
Acronyms in This Document	<ul style="list-style-type: none"> Removed definition for ADC and DTR.
Introduction	<ul style="list-style-type: none"> Added note for ECC in Flexible Memory Resources bullet point. Updated Table 1.1. CrossLink-NX-33 Commercial/Industrial Family Selection Guide to change I/O count for 84 WLCS to 34/26.
CrossLink-NX-33 Architecture	<ul style="list-style-type: none"> Updated Figure 2.1. CrossLink-NX-33 Simplified Block Diagram. Added information on select speed grades in sysMEM Memory Block. Updated TD[1:0] parameter name to T[1:0] in Table 2.8. Tri-state Block Port Description. Updated DELAY CODE to DELAYCODE_I and DELAYCODE_O in Figure 2.23. DQS Control and Delay Block (DQSBUF).
DC and Switching Characteristics for Commercial and Industrial	<ul style="list-style-type: none"> Added Commercial and Industrial grade information in ESD Performance. Updated Figure 3.21. Master SPI Wake-Up Timing and Figure 3.22. Slave SPI/I2C/I3C Wake-Up Timing to change t_{DONE_HIGH} to $t_{WAKEUP_DONE_HIGH}$. Updated LVDS and subLVDS V_{CCIO} (Input) value; Updated table note 1b and d to change bank 3, bank 4, and bank 5 to bank 2, bank 3, and bank 4 in Table 3.13. sysI/O Recommended Operating Conditions. Updated information for V_{CCAUX} in LVDS. Updated V_{IH}, V_{IL}, I_{OL}, I_{OH} values and table notes in Table 3.14. sysI/O DC Electrical Characteristics – Wide Range I/O and Table 3.15. sysI/O DC Electrical Characteristics – High Performance I/O. Changed V_{INN} to V_{INM} in table note 2 and added table note 3 in Table 3.17. LVDS DC Electrical Characteristics. Added table note for V_{ICM} in Table 3.19. SubLVDS Input DC Electrical Characteristics (Over Recommended Operating Conditions). Updated max value of Z_{OS} in Table 3.22. SLVS Output DC Characteristics. Updated max value of Z_{OS} in Table 3.24. Soft D-PHY Output Timing and Levels. Updated max value of HSTL15 in Table 3.27. CrossLink-NX-33 Maximum I/O Buffer Speed. Updated Generic DDRX1 group to add WRIO and HPIO in Table 3.31. CrossLink-NX-33 External Switching Characteristics (VCC = 1.0 V).

Section	Change Summary
CrossLink-NX-33 Pinout Information	Adjustment in formatting to remove superscripts for Shared Configuration Pins, Shared User GPIO Pins, and Shared CLOCK Pins; Updated signal names and description, specifically for Bank 1, for Shared JTAG Pins, Shared Configuration Pins, and Shared CLOCK Pins in Signal Descriptions.
CrossLink-NX-33 Ordering Information	<ul style="list-style-type: none"> Added note regarding availability of Input Comparator, ADC, EBR, ECC, and DTR in select speed grades. Added Ordering Part Numbers section.

Revision 0.70, November 2021

Section	Change Summary
All	Advance release



www.latticesemi.com