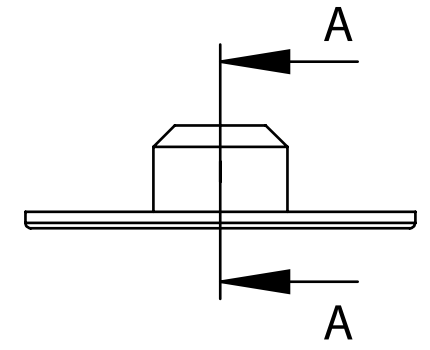
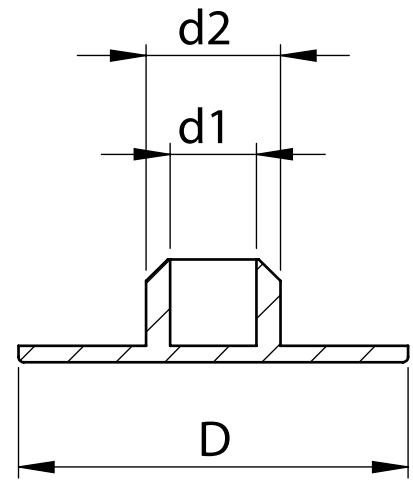
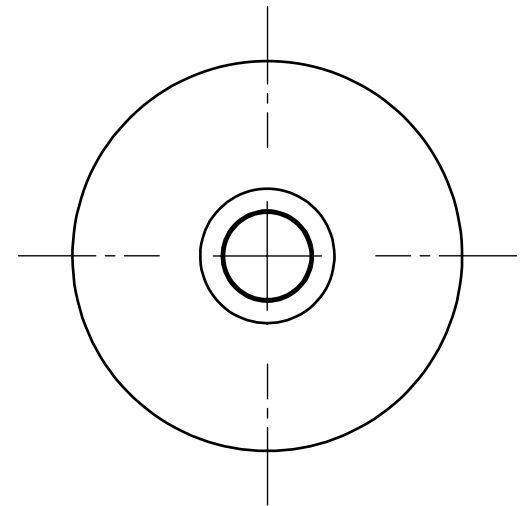
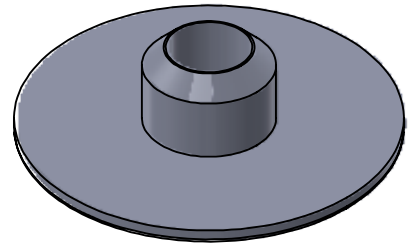


Part Number	Screw Size	D	d1	d2
RP0000383291	M5	17	2.8	4.3
RP0000383289	M6	17	3.0	5.2
RP0000383294	M8	18	4.0	6.2
RP0000383297	M10	18	6.0	8.4

REVISION	
A	INITIAL DRAWING 02.02.2024



SECTION A - A

NOTES: DO NOT SCALE DRAWING



UNLESS OTHERWISE SPECIFIED:
 DIMENSIONS ARE IN MM (MILLIMETERS).
 TOLERANCES: L<=4: ±0.1
 4 < L <=15: ±0.2
 15 < L <=50: ±0.3
 50 < L <=100: ±0.4

NAME	DATE
DRAWN Andrew Fletcher	08.08.24
CHK'D	
APPVD	

MATERIAL: LOW DENSITY POLYETHYLENE

HEAT TREATMENT: N/A

TITLE: UNISCREW CAPS

DESIGN RIGHT. TR FASTENINGS LTD, 2024
 UNDER NO CIRCUMSTANCES MUST THIS DRAWING BE COPIED
 OR DISCLOSED WITHOUT FIRST OBTAINING WRITTEN
 AUTHORITY.

CUSTOMER PART NUMBER: N/A

FINISH/COLOUR: BLACK

DRAWING NUMBER: N/A

A4

