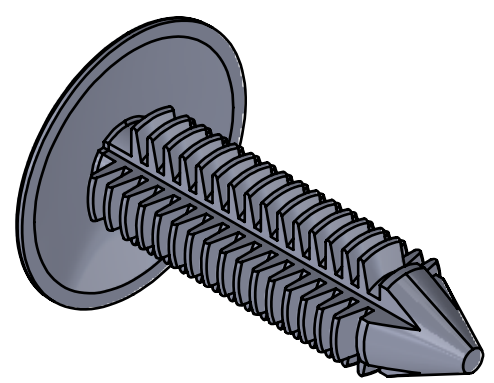
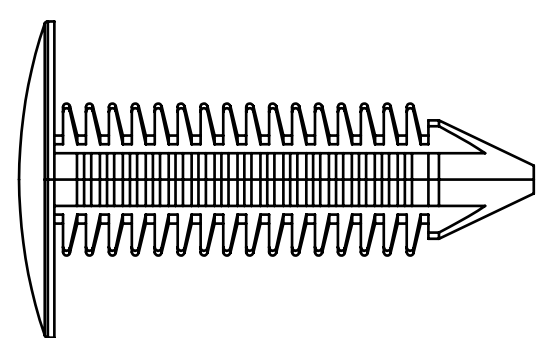
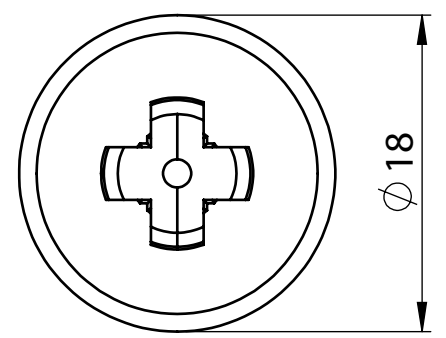
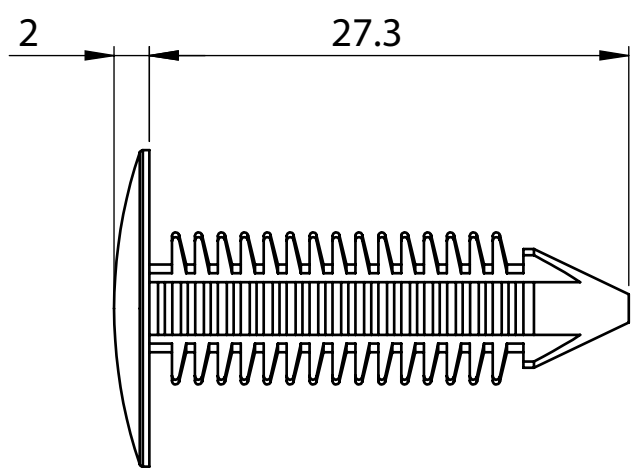


1 2 3 4 5 6 7 8

A  
B  
C  
D  
E  
F

REVISION	
A	INITIAL DRAWING 02.02.2024



NOTES: DO NOT SCALE DRAWING  
MOUNTING HOLE SIZE: Ø7.0  
PANEL RANGE: 0.7 to 20.0



UNLESS OTHERWISE SPECIFIED:  
DIMENSIONS ARE IN MM (MILLIMETERS).  
TOLERANCES: L<=4: ±0.1  
4 < L <=15: ±0.2  
15 < L <=50: ±0.3  
50 < L <=100: ±0.4

NAME	DATE
DRAWN Andrew Fletcher	08.08.24
CHK'D	
APPVD	

MATERIAL: NYLON 6,6

HEAT TREATMENT: N/A

TITLE: FIR TREE CLIP 7.0mm X 27.3mm

DESIGN RIGHT. TR FASTENINGS LTD, 2024  
UNDER NO CIRCUMSTANCES MUST THIS DRAWING BE COPIED  
OR DISCLOSED WITHOUT FIRST OBTAINING WRITTEN  
AUTHORITY.

CUSTOMER PART NUMBER: N/A

FINISH/COLOUR: BLACK

PART NUMBER: RP0000383364

A4