

1

2

3

4

5

6

7

8

A

B

C

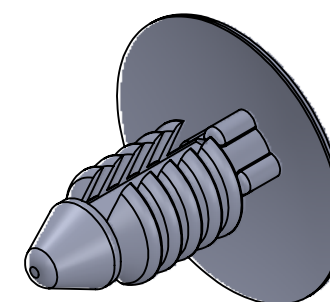
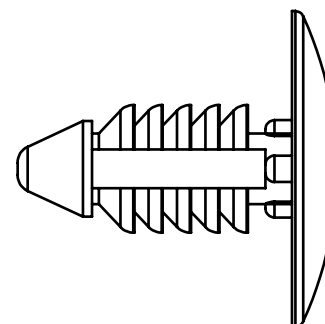
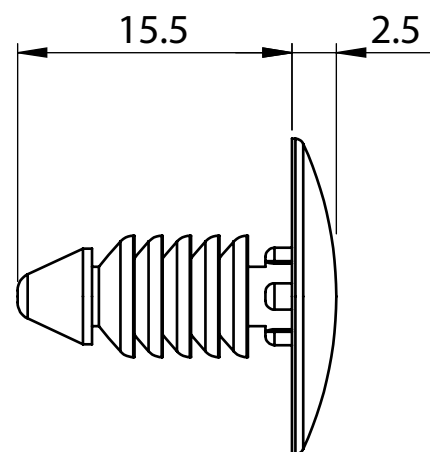
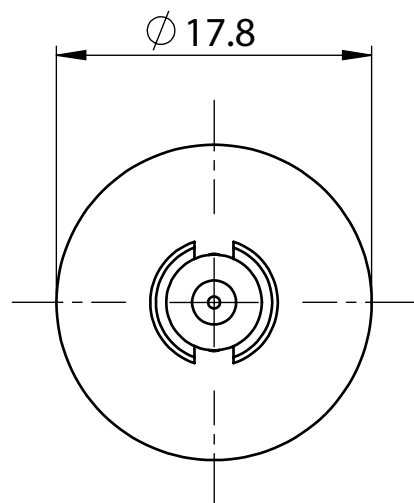
D

E

F

REVISION

A INITIAL DRAWING 02.02.2024



NOTES: DO NOT SCALE DRAWING

MOUNTING HOLE SIZE: Ø6.4

PANEL RANGE: 2.6 to 8.6



UNLESS OTHERWISE SPECIFIED:
 DIMENSIONS ARE IN MM (MILLIMETERS).
 TOLERANCES: L<=4: ±0.1
 4 < L <=15: ±0.2
 15 < L <=50: ±0.3
 50 < L <=100: ±0.4

	NAME	DATE
DRAWN	Andrew Fletcher	08.08.24
CHK'D		
APP'VD		

MATERIAL: NYLON 6,6

HEAT TREATMENT: N/A

TITLE: FIR TREE CLIP 6.4mm X 15.5mm

DESIGN RIGHT. TR FASTENINGS LTD, 2024
 UNDER NO CIRCUMSTANCES MUST THIS DRAWING BE COPIED
 OR DISCLOSED WITHOUT FIRST OBTAINING WRITTEN
 AUTHORITY.

CUSTOMER PART NUMBER: N/A

FINISH/COLOUR: BLACK

PART NUMBER: RP0000383428

A4

PROJECTION

