

1

2

3

4

5

6

7

8

A

B

C

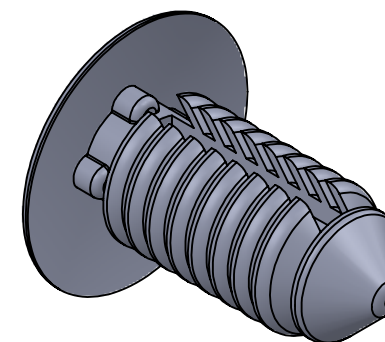
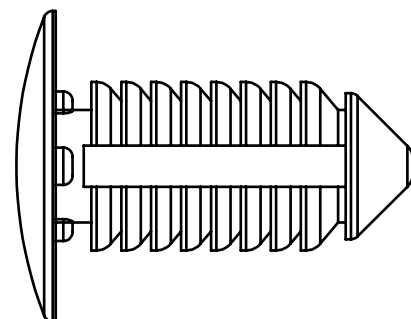
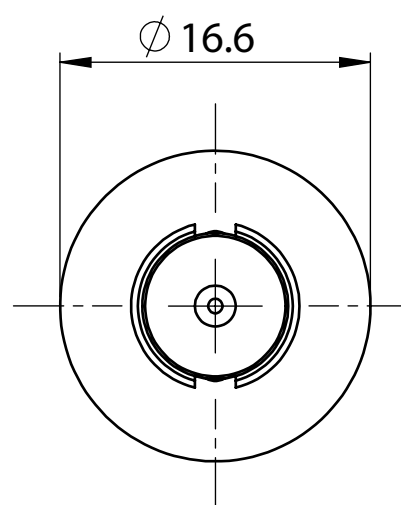
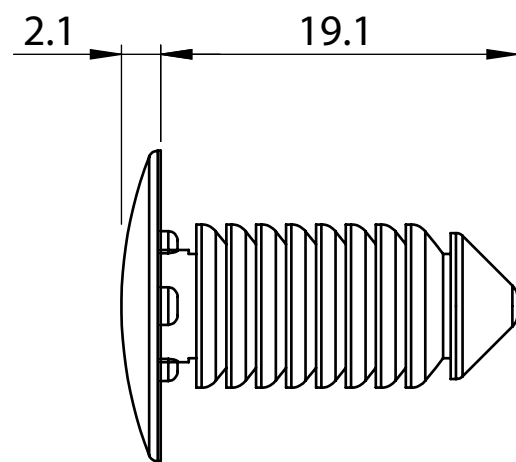
D

E

F

REVISION

A INITIAL DRAWING 02.02.2024



NOTES: DO NOT SCALE DRAWING

MOUNTING HOLE SIZE: $\varnothing 8.7$

PANEL RANGE: 1.4 to 13.0



UNLESS OTHERWISE SPECIFIED:
 DIMENSIONS ARE IN MM (MILLIMETERS).
 TOLERANCES: L \leq 4: ± 0.1
 4 < L \leq 15: ± 0.2
 15 < L \leq 50: ± 0.3
 50 < L \leq 100: ± 0.4

	NAME	DATE
DRAWN	Andrew Fletcher	08.08.24
CHK'D		
APPV'D		

MATERIAL: NYLON 6,6

HEAT TREATMENT: N/A

TITLE: FIR TREE CLIP 8.7mm X 19.1mm

DESIGN RIGHT. TR FASTENINGS LTD, 2024
 UNDER NO CIRCUMSTANCES MUST THIS DRAWING BE COPIED
 OR DISCLOSED WITHOUT FIRST OBTAINING WRITTEN
 AUTHORITY.

CUSTOMER PART NUMBER: N/A

FINISH/COLOUR: BLACK

PART NUMBER: RP0000383430

A4

PROJECTION

