

1

2

3

4

5

6

7

8

A

B

C

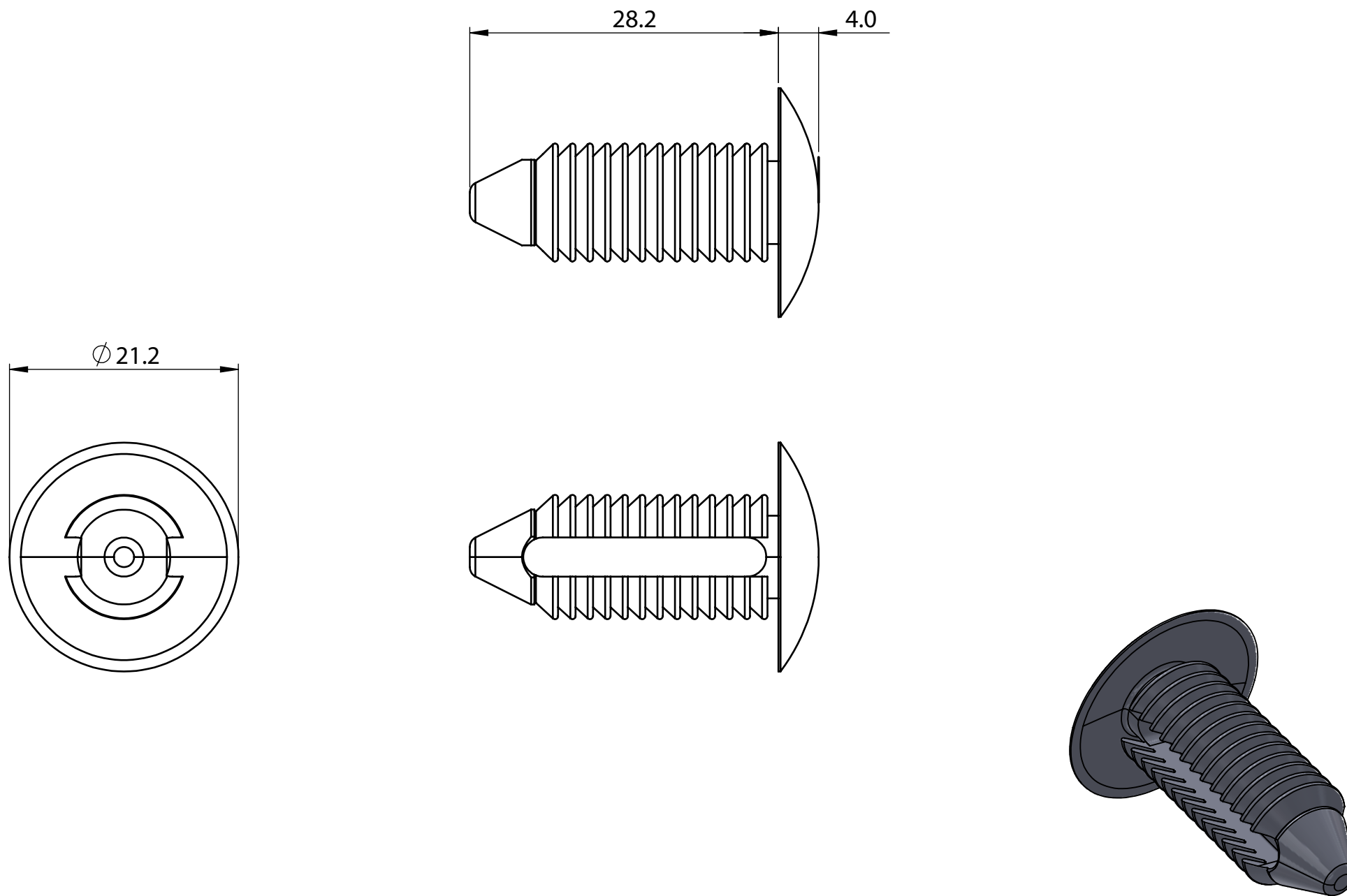
D

E

F

REVISION

A INITIAL DRAWING 02.02.2024



NOTES: DO NOT SCALE DRAWING

MOUNTING HOLE SIZE: Ø10.0

PANEL RANGE: 1.5 to 20.0



UNLESS OTHERWISE SPECIFIED:  
 DIMENSIONS ARE IN MM (MILLIMETERS).  
 TOLERANCES: L ≤ 4: ±0.1  
 4 < L ≤ 15: ±0.2  
 15 < L ≤ 50: ±0.3  
 50 < L ≤ 100: ±0.4

	NAME	DATE
DRAWN	Andrew Fletcher	08.08.24
CHK'D		
APPV'D		

MATERIAL: NYLON 6,6

HEAT TREATMENT: N/A

TITLE: FIR TREE CLIP 10.0mm X 28.2mm

DESIGN RIGHT. TR FASTENINGS LTD, 2024  
 UNDER NO CIRCUMSTANCES MUST THIS DRAWING BE COPIED  
 OR DISCLOSED WITHOUT FIRST OBTAINING WRITTEN  
 AUTHORITY.

CUSTOMER PART NUMBER: N/A

FINISH/COLOUR: BLACK

PART NUMBER: RP0000383367

A4

PROJECTION

