

1

2

3

4

5

6

7

8

A

B

C

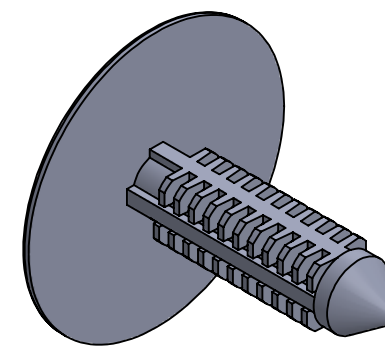
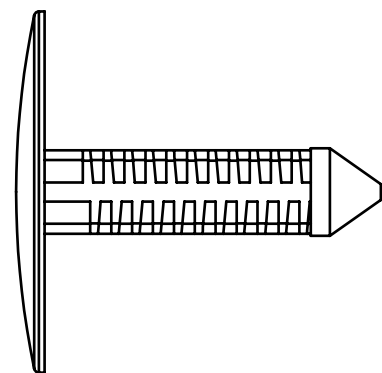
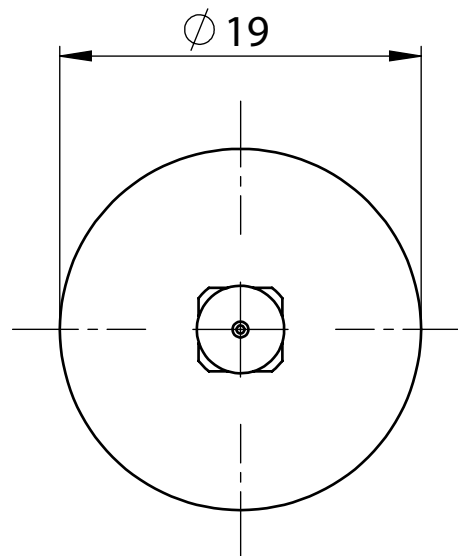
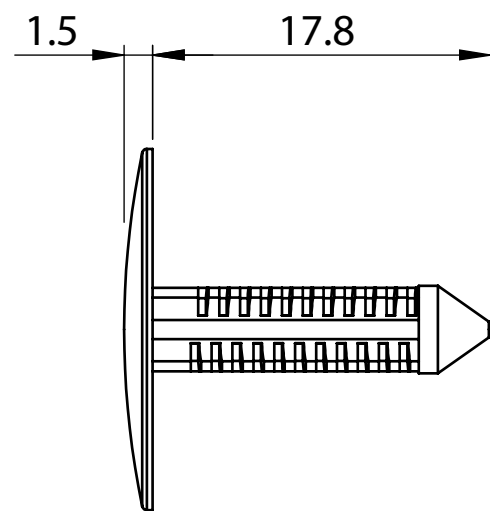
D

E

F

REVISION

A INITIAL DRAWING 02.02.2024



NOTES: DO NOT SCALE DRAWING

MOUNTING HOLE SIZE:  $\varnothing 5.0$

PANEL RANGE: 5.0 to 15.0



UNLESS OTHERWISE SPECIFIED:  
 DIMENSIONS ARE IN MM (MILLIMETERS).  
 TOLERANCES: L  $\leq$  4:  $\pm 0.1$   
 4 < L  $\leq$  15:  $\pm 0.2$   
 15 < L  $\leq$  50:  $\pm 0.3$   
 50 < L  $\leq$  100:  $\pm 0.4$

	NAME	DATE
DRAWN	Andrew Fletcher	08.08.24
CHK'D		
APPV'D		

MATERIAL: NYLON 6,6

HEAT TREATMENT: N/A

TITLE: FIR TREE CLIP 5.0mm x 17.8mm

DESIGN RIGHT. TR FASTENINGS LTD, 2024  
 UNDER NO CIRCUMSTANCES MUST THIS DRAWING BE COPIED  
 OR DISCLOSED WITHOUT FIRST OBTAINING WRITTEN  
 AUTHORITY.

CUSTOMER PART NUMBER: N/A

FINISH/COLOUR: BLACK

PART NUMBER: RP0000383432

A4

PROJECTION

