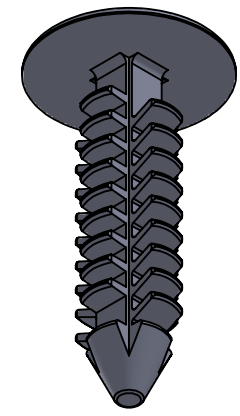
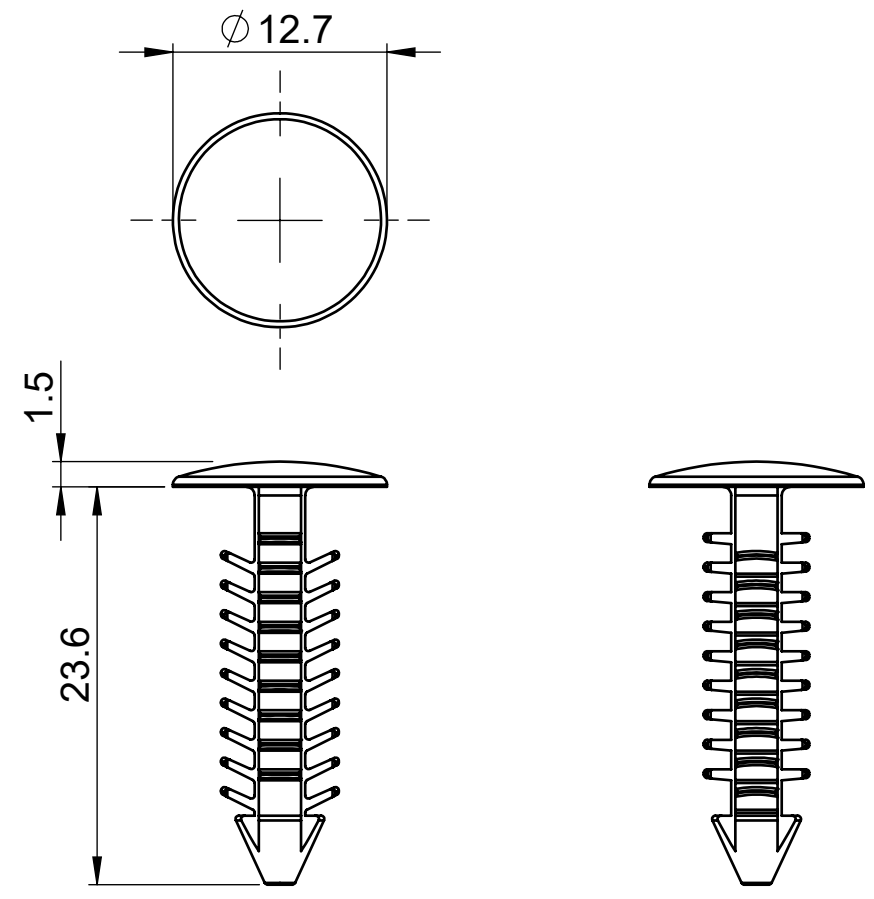


REVISION	
A	INITIAL DRAWING 02.02.2024



NOTES: DO NOT SCALE DRAWING
 MOUNTING HOLE SIZE: $\varnothing 6.0$
 PANEL RANGE: 3.5 to 19.0



UNLESS OTHERWISE SPECIFIED:
 DIMENSIONS ARE IN MM (MILLIMETERS).
 TOLERANCES: L<=4: ± 0.1
 4 < L <=15: ± 0.2
 15 < L <=50: ± 0.3
 50 < L <=100: ± 0.4

NAME	DATE
DRAWN Andrew Fletcher	08.08.24
CHK'D	
APPVD	

MATERIAL: NYLON 6,6
 HEAT TREATMENT: N/A

TITLE: FIR TREE CLIP 6.0mm x 23.6mm

DESIGN RIGHT. TR FASTENINGS LTD, 2024
 UNDER NO CIRCUMSTANCES MUST THIS DRAWING BE COPIED
 OR DISCLOSED WITHOUT FIRST OBTAINING WRITTEN
 AUTHORITY.

CUSTOMER PART NUMBER: N/A

FINISH/COLOUR: BLACK

PART NUMBER: RP0000383433

A4