



Connectors > Connector Accessories > Connector Backshells > AMPSEAL Backshells



Connector Backshell Product Type: **Potting Shell/Strain Relief**

Primary Product Material: **PBT GF15**

Sealable: **No**

Operating Temperature Range: **-40 – 125 °C [-40 – 257 °F]**

[All AMPSEAL Backshells \(4\)](#)

Features

Product Type Features

Connector Backshell Product Type	Potting Shell/Strain Relief
Sealable	No

Body Features

Cable Exit Angle	180°
Primary Product Color	Black
Primary Product Material	PBT GF15

Usage Conditions

Operating Temperature (Max)	105 °C[221 °F]
Operating Temperature Range	-40 – 125 °C[-40 – 257 °F]

Industry Standards

IP Rating	IP69
UL Flammability Rating	UL 94HB

Other

Serviceable	Yes
-------------	-----

Product Compliance

[For compliance documentation, visit the product page on TE.com>](#)

EU RoHS Directive 2011/65/EU	Compliant
EU ELV Directive 2000/53/EC	Compliant
China RoHS 2 Directive MIIT Order No 32, 2016	No Restricted Materials Above Threshold
EU REACH Regulation (EC) No. 1907/2006	Current ECHA Candidate List: JUNE 2024 (241) Candidate List Declared Against: JUNE 2024 (241) Does not contain REACH SVHC
Halogen Content	Low Halogen - Br, Cl, F, I < 900 ppm per homogenous material. Also BFR/CFR/PVC Free
Solder Process Capability	Not reviewed for solder process capability

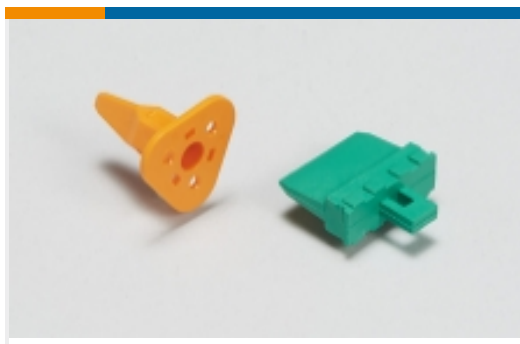
Product Compliance Disclaimer

This information is provided based on reasonable inquiry of our suppliers and represents our current actual knowledge based on the information they provided. This information is subject to change. The part numbers that TE has identified as EU RoHS compliant have a maximum concentration of 0.1% by weight in homogenous materials for lead, hexavalent chromium, mercury, PBB, PBDE, DBP, BBP, DEHP, DIBP, and 0.01% for cadmium, or qualify for an exemption to these limits as defined in the Annexes of Directive 2011/65/EU (RoHS2). Finished electrical and electronic equipment products will be CE marked as required by Directive 2011/65/EU. Components may not be CE marked. Additionally, the part numbers that TE has identified as EU ELV compliant have a maximum concentration of 0.1% by weight in homogenous materials for lead, hexavalent chromium, and mercury, and 0.01% for cadmium, or qualify for an exemption to these limits as defined in the Annexes of Directive 2000/53/EC (ELV). Regarding the REACH Regulation, the information TE provides on SVHC in articles for this part number is based on the latest European Chemicals Agency (ECHA) 'Guidance on requirements for substances in articles' posted at this URL: <https://echa.europa.eu/guidance-documents/guidance-on-reach>

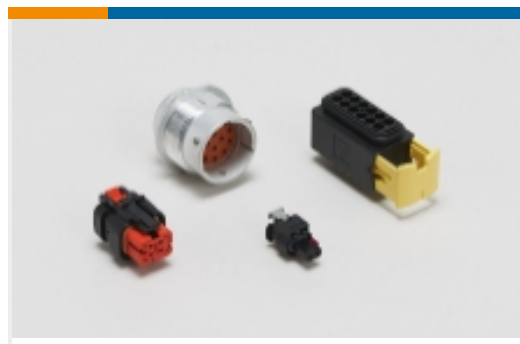
Compatible Parts



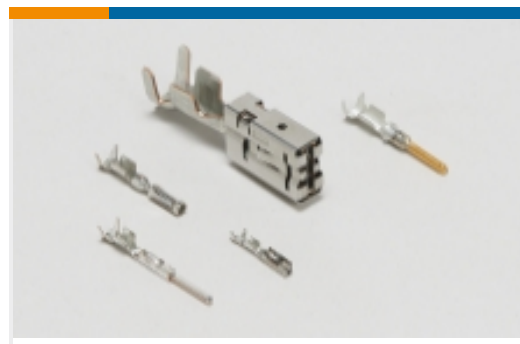
Also in the Series | **AMPSEAL**



Automotive Connector Locks & Position Assurance(1)



Automotive Housings(31)



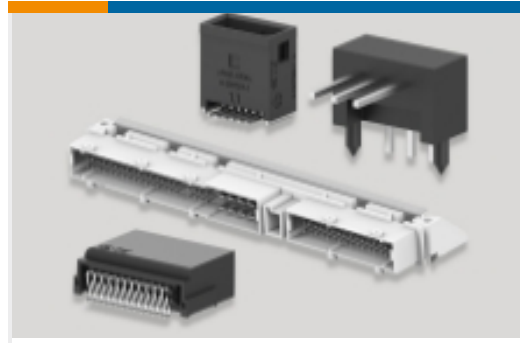
Automotive Terminals(8)



Connector Backshells(4)

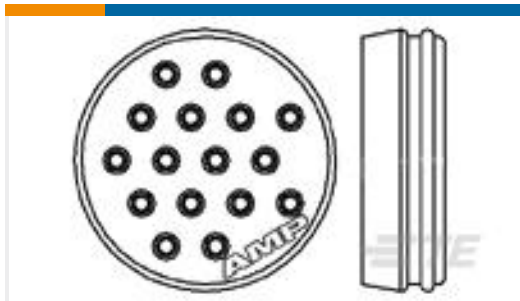


Connector Seals & Cavity Plugs(2)



PCB Headers & Receptacles(120)

Customers Also Bought



TE Part #213920-1
CPC SEAL KIT,UNASSM,SZ 17-16



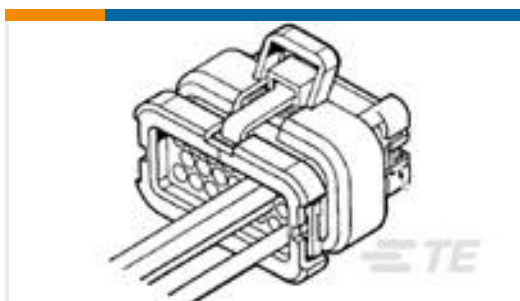
TE Part #1SNG614001R0000
EMC Cable Gland (EMC4)



TE Part #2138530-1
AMPSEAL Backshells



TE Part #02192500-060
R60D



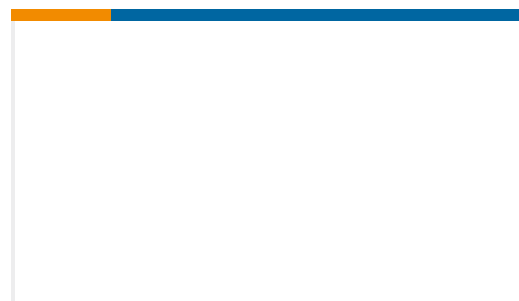
TE Part #776164-1
35POS,AMPSEAL,SOC HSG ASSY,SLD, COD 1



TE Part #1676341-1
RN 0805 43K2 0.1% 10PPM CUT LENGTH



TE Part #203324-E
MJIM IMV 1X1 S 88 * X R THRU * L2 M3D01



TE Part #3742606745
Speed sen DSY 1205.11 AHD

Documents

Product Drawings

[STRAIN RELIEF,35 POSITION AMPSEAL](#)

English

CAD Files

[3D PDF](#)

[3D](#)

[Customer View Model](#)

[ENG_CVM_CVM_2389807-1_A.2d_dxf.zip](#)



English

Customer View Model

[ENG_CVM_CVM_2389807-1_A.3d_igs.zip](#)

English

Customer View Model

[ENG_CVM_CVM_2389807-1_A.3d_stp.zip](#)

English

By downloading the CAD file I accept and agree to the [Terms and Conditions](#) of use.

Product Specifications

[Application Specification](#)

English