



Connectors > Automotive Connectors > Automotive Housings



Connector System: **Wire-to-Wire**  
 Number of Positions: **2**  
 Connector & Housing Type: **Housing for Male Terminals**  
 Centerline (Pitch): **4.5 mm [.177 in]**  
 Sealable: **No**

### Features

#### Product Type Features

Mixed & Hybrid Connector	No
Connector Shape	Rectangular
Connector System	Wire-to-Wire
Connector & Housing Type	Housing for Male Terminals
Sealable	No
Connector & Contact Terminates To	Wire & Cable
Primary Locking Feature	On the Terminal

#### Configuration Features

Number of Positions	2
Number of Rows	1

#### Body Features

Cable Exit Angle	180°
Primary Product Color	Black

#### Contact Features

Contact Type	Tab
--------------	-----

#### Mechanical Attachment

Terminal Position Assurance	No
Strain Relief	Without
Connector Mounting Type	Cable Mount (Free-Hanging)



**Housing Features**

Housing Material	PA GF
Centerline (Pitch)	4.5 mm[.177 in]

**Dimensions**

Connector Height	7.4 mm[.291 in]
Product Width	10.7 mm[.421 in]
Product Length	15.5 mm[.61 in]

**Packaging Features**

Packaging Quantity	500
Packaging Method	Bag

**Other**

Serviceable	No
Connector Position Assurance Capable	No

**Product Compliance**

[For compliance documentation, visit the product page on TE.com>](#)

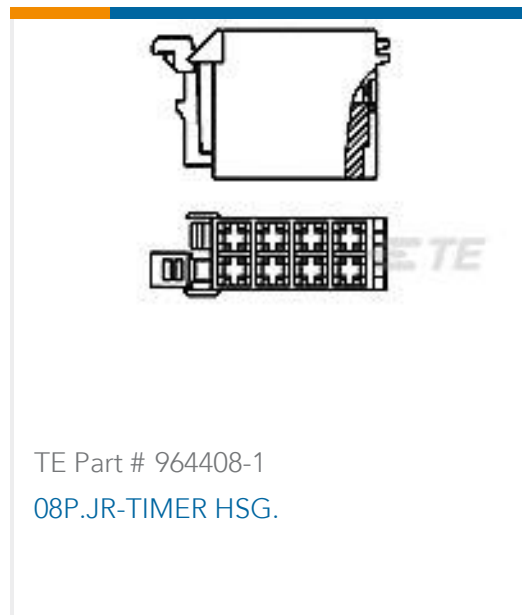
EU RoHS Directive 2011/65/EU	Compliant
EU ELV Directive 2000/53/EC	Compliant
China RoHS 2 Directive MIIT Order No 32, 2016	No Restricted Materials Above Threshold
EU REACH Regulation (EC) No. 1907/2006	Current ECHA Candidate List: JUNE 2024 (241) Candidate List Declared Against: JUNE 2024 (241) Does not contain REACH SVHC
Halogen Content	Low Halogen - Br, Cl, F, I < 900 ppm per homogenous material. Also BFR/CFR/PVC Free
Solder Process Capability	Not applicable for solder process capability

**Product Compliance Disclaimer**

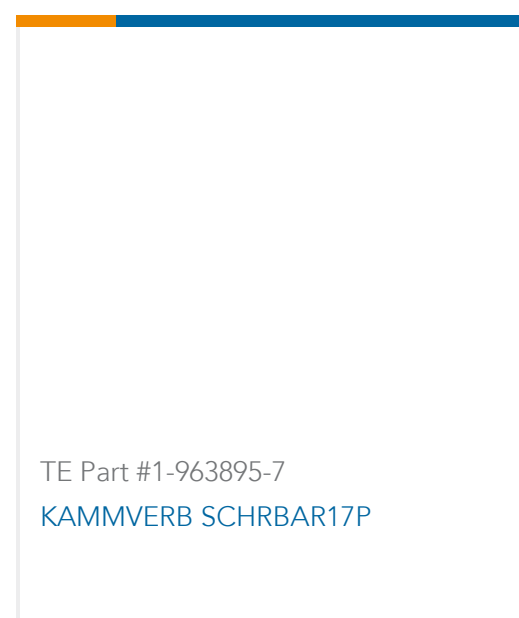
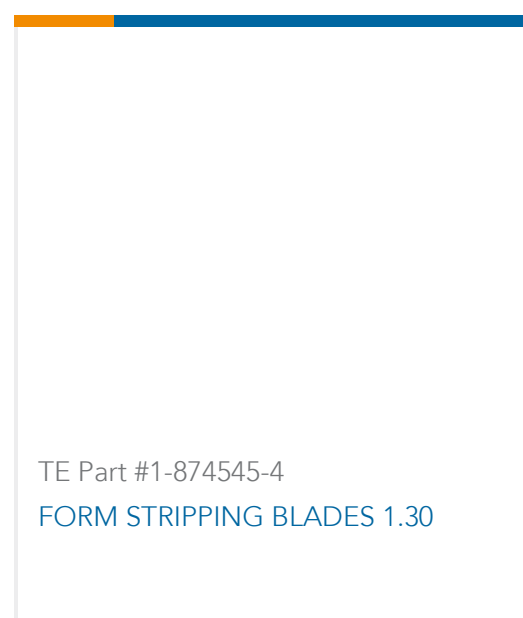
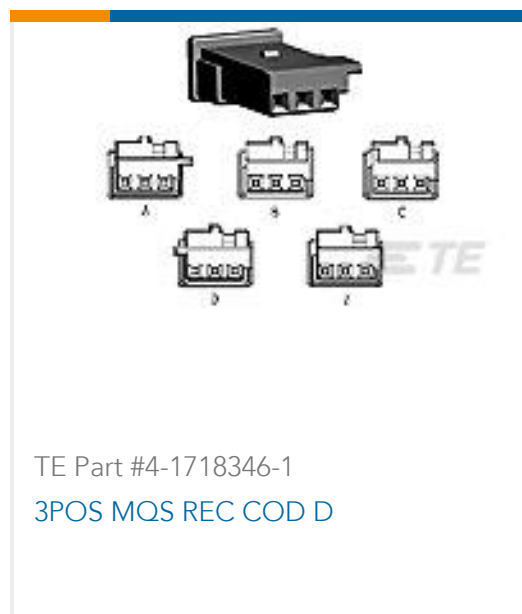
This information is provided based on reasonable inquiry of our suppliers and represents our current actual knowledge based on the information they provided. This information is subject to change. The part numbers that TE has identified as EU RoHS compliant have a maximum concentration of 0.1% by weight in homogenous materials for lead, hexavalent chromium, mercury, PBB, PBDE, DBP, BBP, DEHP, DIBP, and 0.01% for cadmium, or qualify for an exemption to these limits as defined in the Annexes of Directive 2011/65/EU (RoHS2). Finished electrical and electronic equipment products will be CE marked as required by Directive 2011/65/EU. Components may not be CE marked. Additionally, the part numbers that TE has identified as EU ELV compliant have a maximum concentration of 0.1% by weight in homogenous materials for lead, hexavalent chromium, and mercury, and 0.01% for cadmium, or qualify for an exemption to these limits as defined in the Annexes of Directive 2000/53/EC (ELV). Regarding the REACH Regulation, the information TE provides on SVHC in articles for this part number is based on the latest European Chemicals Agency (ECHA) 'Guidance on

requirements for substances in articles' posted at this URL: <https://echa.europa.eu/guidance-documents/guidance-on-reach>

## Compatible Parts



## Customers Also Bought



## Documents

### Product Drawings

[V23540M7700Y 21=2 POL POT.VERT](#)

English

[V23540M7700Y 21=2 POL POT.VERT](#)

English

### CAD Files

Customer View Model

[ENG\\_CVM\\_1393431-1\\_02.3d\\_igs.zip](#)

English

Customer View Model

[ENG\\_CVM\\_1393431-1\\_02.3d\\_stp.zip](#)

1393431-1

Housing for Male Terminals, Wire-to-Wire, 2 Position, 4.5 mm [.177 in] Centerline,  
Black, Wire & Cable, Cable Mount (Free-Hanging)



English

**Customer View Model**

[ENG\\_CVM\\_1393431-1\\_02.2d\\_dxf.zip](#)

English

**3D PDF**

English

By downloading the CAD file I accept and agree to the [Terms and Conditions](#) of use.

**Product Specifications**

**Application Specification**

German