

Sales Outline Drawing

Specifications:

Stack Number:	1	2		
LED Color:	RED	GREEN		
LED Operation:	Continuous	Continuous		
Connection Wires:	Red and Brown	Green and Brown		
LED Current Draw:	<50 mA	<40 mA		
Rated Voltage:	24 VAC/DC			
Operating Voltage:	20-28 VAC/DC			
Total Max Current:	<90mA			
Operating Temperature:	-25° ~ +60°C			
Lens Color:	Transparent - matching LED stack color			
Material:	Lexan CFR7431			
Mounting Method:	Direct Mount using 1/2" NPT Stainless Steel Pipe and Nut			
Weight Typical (g):	210			
NEMA 12:	Approved			
Options:	Please contact factory.			

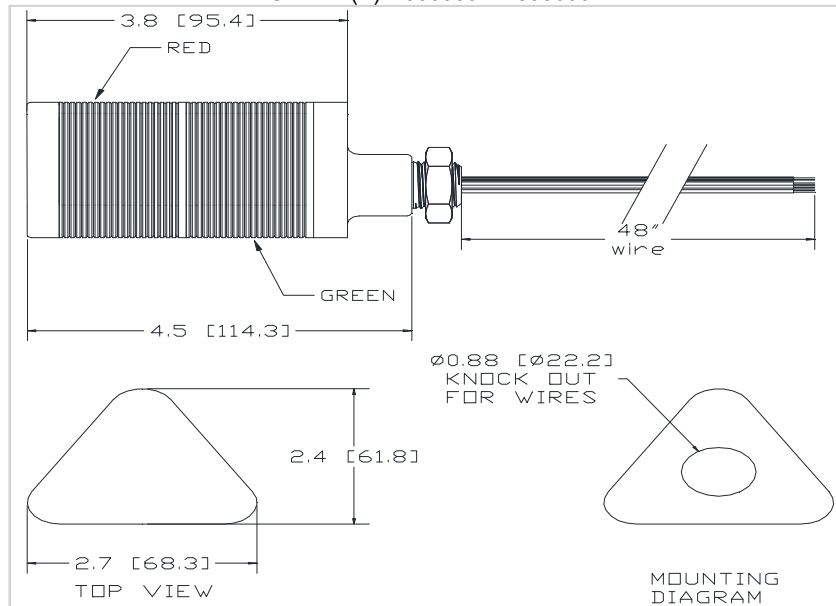
Dimensions:

Inches (mm)

cUL Recognized CE Certified

ROHS Compliant

PATENT NUMBER(S) 10309594 D898600



LED OPERATION: CONNECT STACK COLOR WIRE TO POWER AND BROWN WIRE TO POWER.