

**Sales Outline Drawing**

**Specifications:**

Stack Number:	1	2	3	4	5
LED Color:	RED	YELLOW	GREEN	BLUE	WHITE
LED Operation:	Continuous	Continuous	Continuous	Continuous	Continuous
Connection Wires:	Red and Brown	Yellow and Brown	Green and Brown	Blue and Brown	White and Brown
LED Current Draw:	<50 mA	<60 mA	<40 mA	<50 mA	<50 mA
Rated Voltage:	24 VAC/DC				
Operating Voltage:	20-28 VAC/DC				
Total Max Current:	<250mA				
Operating Temperature:	-25° ~ +60°C				
Lens Color:	Transparent - matching LED stack color				
Material:	Lexan CFR7431				
Mounting Method:	Direct Mount using 1/2" NPT Stainless Steel Pipe and Nut				
Weight Typical (g):	350				
NEMA 12:	Approved				
Options:	Please contact factory.				

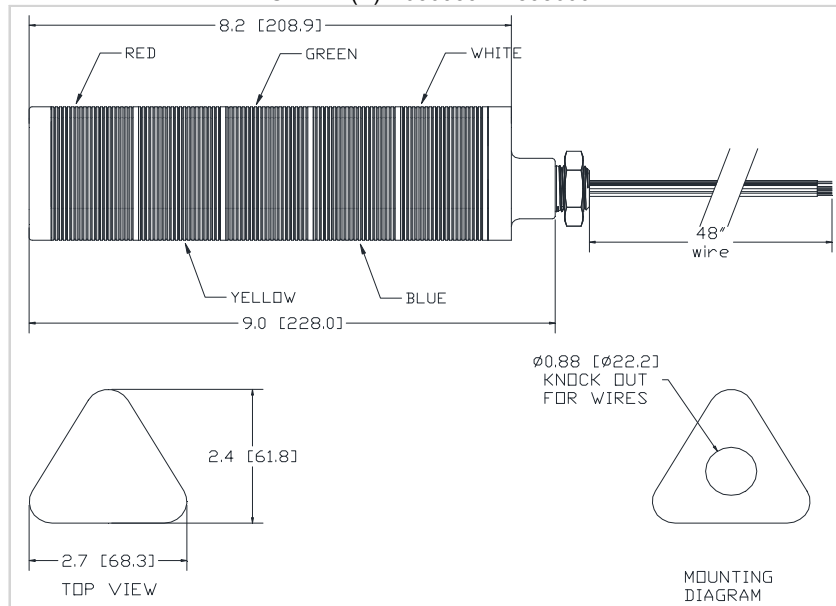
**Dimensions:**

Inches (mm)

**cUL Recognized CE Certified**

**ROHS Compliant**

PATENT NUMBER(S) 10309594 D898600



**LED OPERATION:** CONNECT STACK COLOR WIRE TO POWER AND BROWN WIRE TO POWER.