

Sales Outline Drawing

Specifications:

| | | | | | |
|------------------------|--|------------------|-----------------|----------------|--|
| Stack Number: | 1 | 2 | 3 | 4 | |
| LED Color: | RED | YELLOW | GREEN | BLUE | |
| LED Operation: | Continuous | Continuous | Continuous | Continuous | |
| Connection Wires: | Red and Brown | Yellow and Brown | Green and Brown | Blue and Brown | |
| LED Current Draw: | <50 mA | <60 mA | <40 mA | <50 mA | |
| Rated Voltage: | 24 VAC/DC | | | | |
| Operating Voltage: | 20-28 VAC/DC | | | | |
| Total Max Current: | <200mA | | | | |
| Operating Temperature: | -25° ~ +60°C | | | | |
| Lens Color: | Transparent - matching LED stack color | | | | |
| Material: | Lexan CFR7431 | | | | |
| Mounting Method: | Direct Mount using 1/2" NPT Stainless Steel Pipe and Nut | | | | |
| Weight Typical (g): | 300 | | | | |
| NEMA 12: | Approved | | | | |
| Options: | Please contact factory. | | | | |

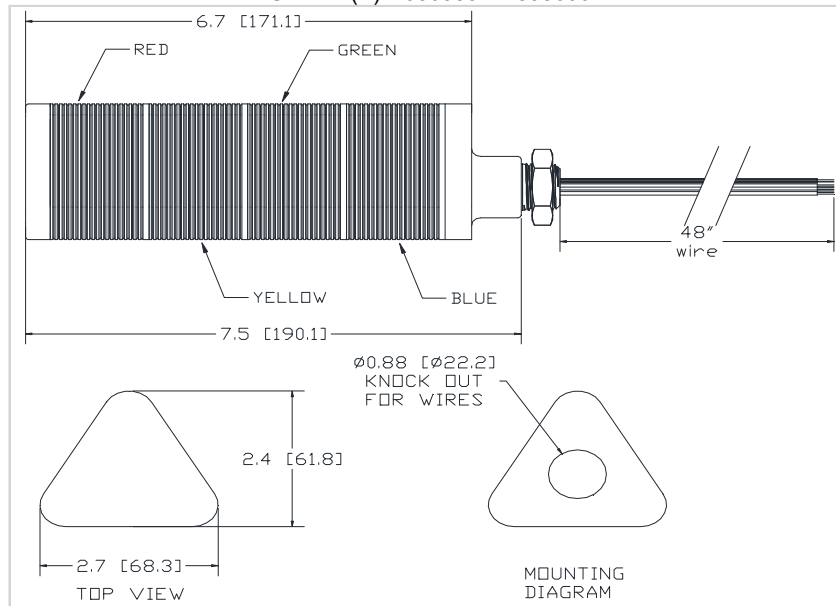
Dimensions:

Inches (mm)

cUL Recognized CE Certified

ROHS Compliant

PATENT NUMBER(S) 10309594 D898600



LED OPERATION: CONNECT STACK COLOR WIRE TO POWER AND BROWN WIRE TO POWER.