

Sales Outline Drawing

Specifications:

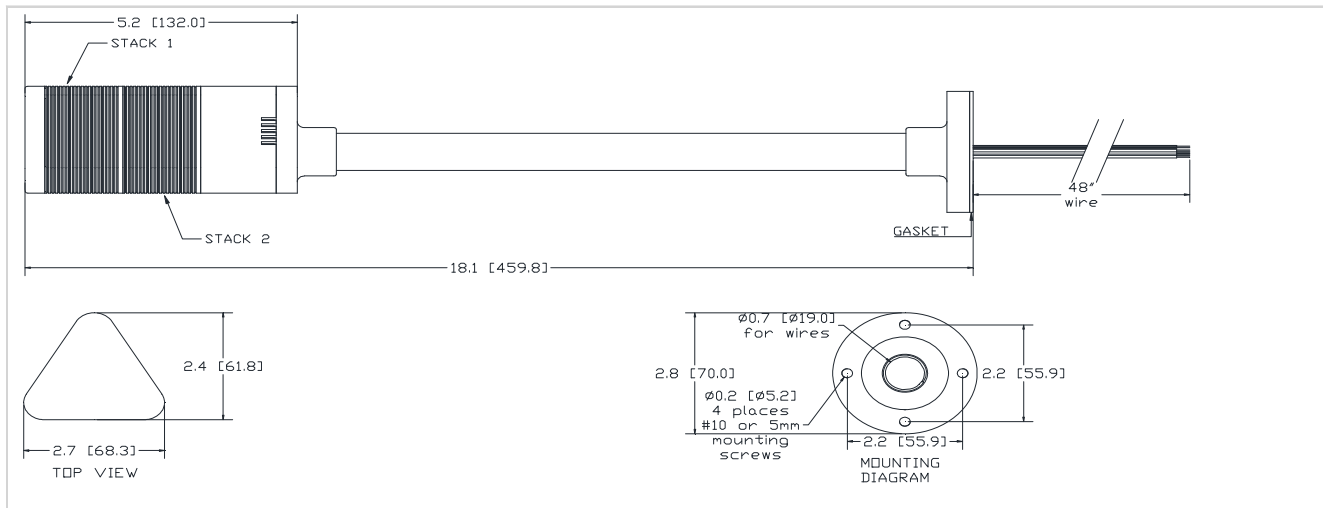
Stack Number:	1	2		
LED Color:	RED	YELLOW		
LED Operation:	Continuous	Continuous		
Connection Wires:	Red and Brown	Yellow and Brown		
LED Current Draw:	<210 mA	<230 mA		
Rated Voltage:	120 VAC			
Operating Voltage:	90-120 VAC			
Sound Level Category:	Loud	Loud	Loud	Loud
Mode of Operation:	Continuous	Medium Pulse (5PPS)	Double Pulse (0.5PPS)	Continuous for 5 sec then 0.1s beep until reset
Connection:	Black and Gray Wires	Black and Gray Wires; Orange wire connected to Green/Yellow wire	Black and Gray Wires; Purple wire connected to Green/Yellow wire	Black and Gray wires; Orange and Purple wires connected to Green/Yellow wire
Sound Current Draw:	40mA Max.	40mA Max.	40mA Max.	40mA Max.
Loudness @ 1m:	80-85 dB(A) Typ.			
Frequency:	2000 ± 500 Hz			
Total Max Current:	<480mA with all LED's and sound unit working			
Operating Temperature:	-25° ~ +60°C			
Lens Color:	Transparent - matching LED stack color			
Material:	Lexan CFR7431			
Mounting Method:	Stainless Steel Pole			
Weight Typical (g):	690			
NEMA 12:	Approved			
Options:	Please contact factory.			

Dimensions: Inches (mm)

cUL Recognized

ROHS Compliant

PATENT NUMBER(S) 10309594 D898600



LED OPERATION: CONNECT STACK COLOR WIRE TO POWER AND BROWN WIRE TO POWER.

SOUND OPERATION:
 CONNECT GRAY AND BLACK WIRES TO POWER FOR CONTINUOUS SOUND.
 FOR MEDIUM PULSE, CONNECT GRAY & BLACK TO POWER AND ORANGE WIRE TO GREEN/YELLOW WIRE.
 FOR DOUBLE PULSE, CONNECT GRAY & BLACK TO POWER AND PURPLE WIRE TO GREEN/YELLOW WIRE.
 FOR CONT/BEEP, CONNECT GRAY & BLACK TO POWER AND ORANGE & PURPLE TO GREEN/YELLOW WIRE.