

Sales Outline Drawing

Specifications:

Stack Number:	1	2	3		
LED Color:	RED	YELLOW	GREEN		
LED Operation:	Continuous	Continuous	Continuous		
Connection Wires:	Red and Brown	Yellow and Brown	Green and Brown		
LED Current Draw:	<210 mA	<230 mA	<190 mA		
Rated Voltage:				120 VAC	
Operating Voltage:				90-120 VAC	
Total Max Current:				<630mA	
Operating Temperature:				-25° ~ +60°C	
Lens Color:	Transparent - matching LED stack color				
Material:	Lexan CFR7431				
Mounting Method:	Direct Mount using 1/2" NPT Stainless Steel Pipe and Nut				
Weight Typical (g):	255				
NEMA 12:	Approved				
Options:	Please contact factory.				

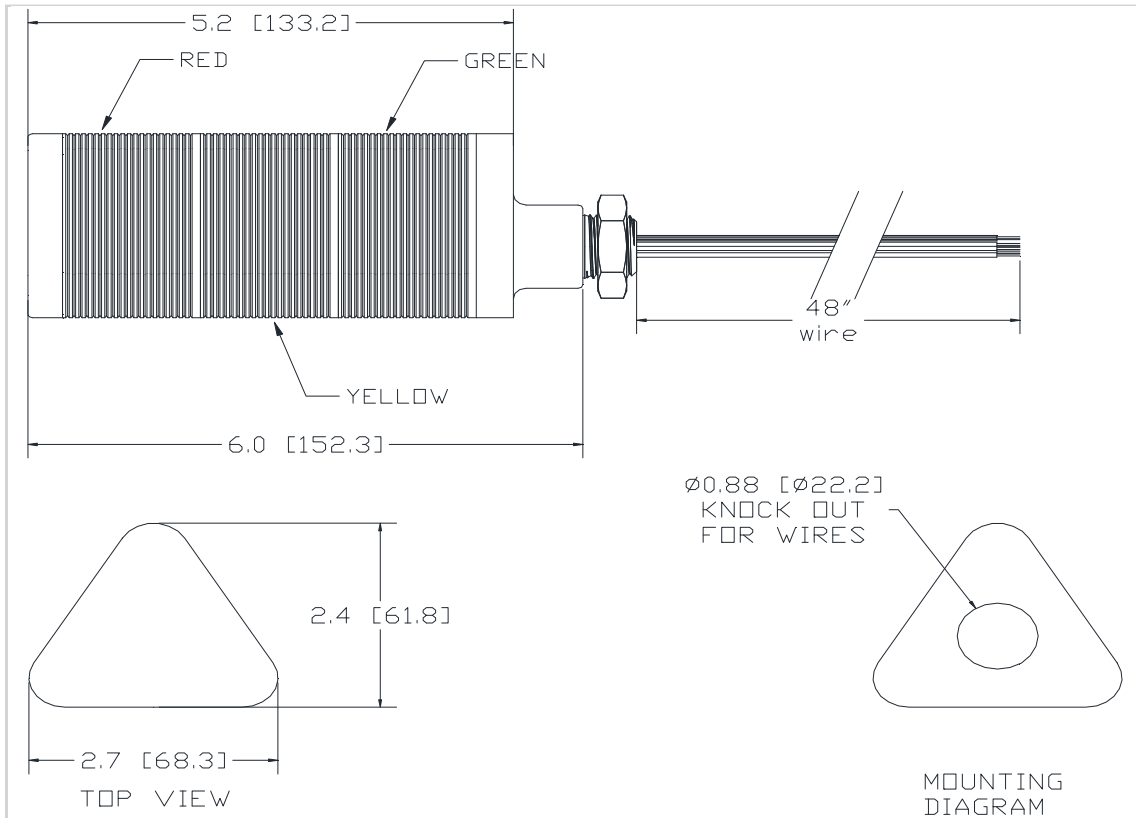
Dimensions:

Inches (mm)

cUL Recognized

ROHS Compliant

PATENT NUMBER(S) 10309594 D898600



LED OPERATION: CONNECT STACK COLOR WIRE TO POWER AND BROWN WIRE TO POWER.