

BoVersa | Mounting panels



BOV M 1209 PC
Order no.: 48802201

* = Available on request.



Characteristics

Enclosure Material

Plastic parts PC UL 94 V-0 (material is flame-retardant, self-extinguishing and suitable for outdoor use; f1 listing in accordance with UL 746 C)

Aluminium parts GD Al Si 12

Seal PU foamed

Materials in accordance with requirement set R1 / R7 according to DIN EN 45545-2

Hazard Level HL3

For details, see Technical Information

Scope of delivery

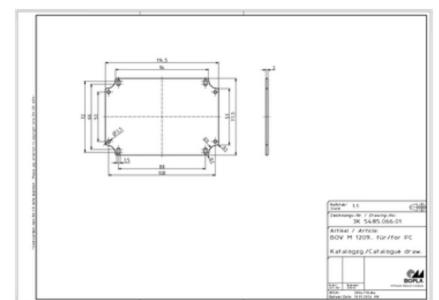
1 mounting panel

Important!

To compensate for pressure when temperatures change and cause

13.10.2024

Product drawing



moisture in the enclosure, we recommend that you use a [pressure compensation](#) element.

In order to ensure that you can determine **the correct quantity of elements for your application**, we are providing you here with a DAE calculator.

[» Additional information](#)

Technical documentation / Downloads

Technical drawings

3D product data in STEP format:

Login to download

Drawing for mechanical processing:

48802201 BOV-M-1209-BoVersa-Montagepl.-fuer-PC-G.dxf
(591.8 KB)

Milling contours are shown here as a DXF file. (Sub D, USB, HDMI, cable glands, ...)

Product drawing in PDF format:

48802201 BOV-M-1209-BoVersa-Montagepl.-fuer-PC.pdf
(192.1 KB)

Product drawing in DXF format:

48802201 BOV-M-1209-BoVersa-Montagepl.-fuer-PC.dxf
(543.1 KB)

Product information

BoVersa web Doppelseite-EN.pdf

(458.1 KB)