

## BoVersa | Mounting panels



**BOV M 1712 Alu**  
**Order no.: 48804302**

\* = Available on request.



### Characteristics

#### Enclosure Material

Plastic parts PC UL 94 V-0 (material is flame-retardant, self-extinguishing and suitable for outdoor use; f1 listing in accordance with UL 746 C)

Aluminium parts GD Al Si 12

Seal PU foamed

Materials in accordance with requirement set R1 / R7 according to DIN EN 45545-2

Hazard Level HL3

For details, see Technical Information

#### Scope of delivery

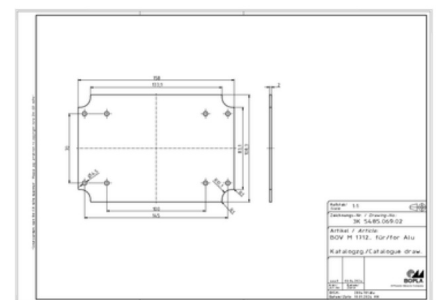
1 mounting panel

### Important!

To compensate for pressure when temperatures change and cause

13.10.2024

### Product drawing



moisture in the enclosure, we recommend that you use a [pressure compensation](#) element.

In order to ensure that you can determine **the correct quantity of elements for your application**, we are providing you here with a DAE calculator.

[» Additional information](#)

## Technical documentation / Downloads

---

### Technical drawings

**3D product data in STEP format:**

48804302 BOV-M-1712-BoVersa-Montagepl.-fuer-Alu.stp  
(48.4 KB)

**Drawing for mechanical processing:**

48804302 BOV-M-1712-BoVersa-Montagepl.-fuer-Alu-G.dxf  
(577.6 KB)

**Milling contours are shown here as a DXF file. (Sub D, USB, HDMI, cable glands, ...)**

**Product drawing in PDF format:**

48804302 BOV-M-1712-BoVersa-Montagepl.-fuer-Alu.pdf  
(191.9 KB)

**Product drawing in DXF format:**

48804302 BOV-M-1712-BoVersa-Montagepl.-fuer-Alu.dxf  
(527.3 KB)

### Product information

**BoVersa web Doppelseite-EN.pdf**

(458.1 KB)