

## Control Knobs for Panel Potentiometers



### FEATURES

- Large knob diameter range
- Designed to provide good grip for bare hands or gloves
- With lateral screw fixing
- Plastic or aluminum material
- Custom metallic knob on request (shape, marking, color, and hole for shaft diameter)
- Material categorization: for definitions of compliance please see [www.vishay.com/doc?99912](http://www.vishay.com/doc?99912)

**RoHS**  
 COMPLIANT

### LINKS TO ADDITIONAL RESOURCES


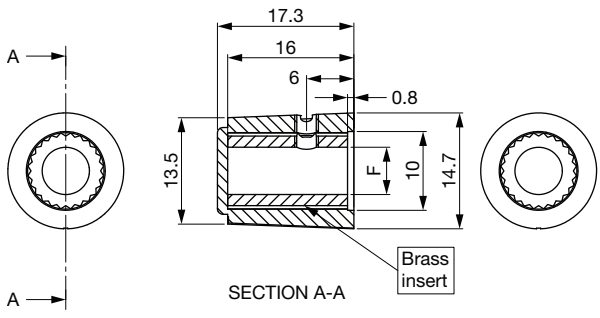



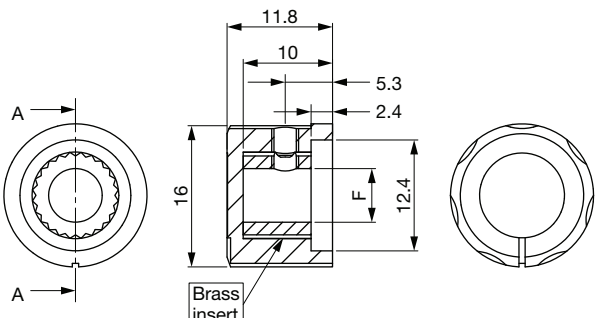
Control knobs suited for panel potentiometers, encoders and rotary switches. Whether the user wears gloves or operates with bare hands, the knob's haptic structure and pleasant grip surface reliably apply the necessary torque to the potentiometer shaft across all application situations.



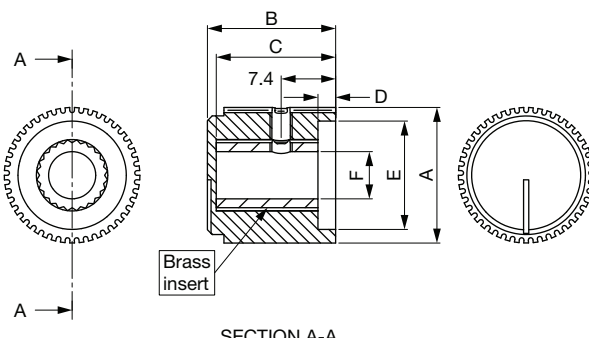
CONTROL KNOB INDEX		
	PLASTIC CONTROL KNOBS	METALLIC CONTROL KNOBS
ROUND RANGE	 <a href="#">Page 2</a>	 <a href="#">Page 5</a>
POINTER RANGE	 <a href="#">Page 4</a>	 <a href="#">Page 6</a>
SKIRTED RANGE	 <a href="#">Page 3</a>	 <a href="#">Page 7</a>

[For "Quick Search / Available Series" table see page 8](#)


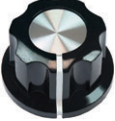
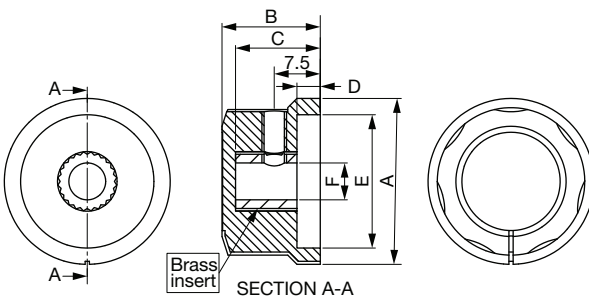
**PLASTIC CONTROL KNOBS**
**ROUND RANGE**



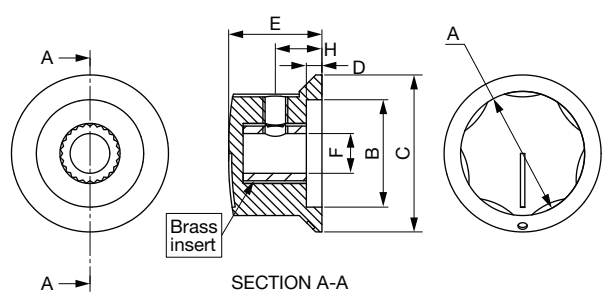
<b>SERIES</b>  <b>PR1417NLS</b>	
<b>SPECIFICATION</b> <ul style="list-style-type: none"> <li>• Material: plastic (ABS)</li> <li>• Indicator: white line on side</li> <li>• Product color: black</li> <li>• With lateral screw fixing</li> </ul>	
	
<b>PART NUMBER</b>	<b>SHAFT DIAM. "F"</b>
<b>ACCKPR1417NLS6</b>	6
<b>ACCKPR1417NLS18</b>	1/8"
<b>ACCKPR1417NLS14</b>	1/4"


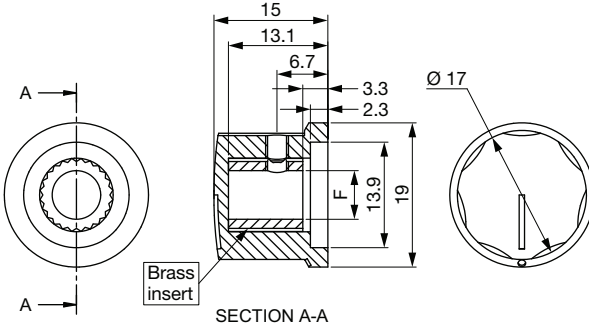
<b>SERIES</b>  <b>IR1612NLP</b>	
<b>SPECIFICATION</b> <ul style="list-style-type: none"> <li>• Material: plastic (ABS) with aluminum top inlay</li> <li>• Indicator: white line on side and top</li> <li>• Product color: black</li> <li>• With lateral screw fixing</li> </ul>	
	
<b>PART NUMBER</b>	<b>SHAFT DIAM. "F"</b>
<b>ACCKIR1612NLP14</b>	1/4"
<b>ACCKIR1612NLP6</b>	6
<b>ACCKIR1612NLP18</b>	1/8"


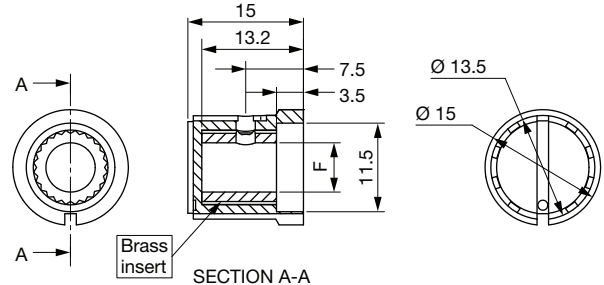
SERIES						
						
<b>PR1817NLT</b>		<b>PR1417NLT</b>				
SPECIFICATION						
<ul style="list-style-type: none"> <li>Material: plastic (ABS)</li> <li>Product color: black</li> </ul>			<ul style="list-style-type: none"> <li>Indicator: white line on top</li> <li>With lateral screw fixing</li> </ul>			
 <p style="text-align: center;">SECTION A-A</p>						
PART NUMBER	DIMENSIONS in millimeters					
	SHAFT DIAM. "F"	A	B	C	D	E
<b>ACCKPR1817NLT14</b>	1/4"	18.4	17.4	16.2	2.4	14.7
<b>ACCKPR1417NLT6</b>	6	13.8	16.6	14.6	0	9.5
<b>ACCKPR1417NLT14</b>	1/4"					

**PLASTIC CONTROL KNOBS**
**SKIRTED RANGE**


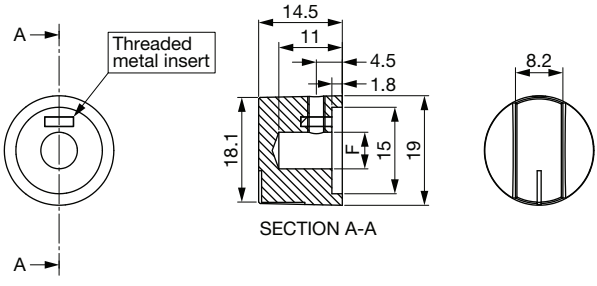
<b>SERIES</b>   <b>IS2716NLD</b> <b>IS2012NLD</b>						
<b>SPECIFICATION</b> <ul style="list-style-type: none"> <li>Material: plastic (ABS) with aluminum top inlay</li> <li>Product color: black</li> <li>Indicator: white line on side, top, and skirt</li> <li>With lateral screw fixing</li> </ul>						
						
PART NUMBER	DIMENSIONS in millimeters					
	SHAFT DIAM. "F"	A	B	C	D	E
ACCKIS2716NLD14	1/4"	27	16	13.8	3.8	21.7
ACCKIS2716NLD18	1/8"					
ACCKIS2716NLD6	6					
ACCKIS2012NLD14	1/4"	20	12	10	1.8	13.8
ACCKIS2012NLD6	6					
ACCKIS2012NLD18	1/8"					

<b>SERIES</b>   <b>PS2015NLR</b> <b>PS1412NLR</b>							
<b>SPECIFICATION</b> <ul style="list-style-type: none"> <li>Material: plastic (ABS)</li> <li>Product color: black</li> <li>Indicator: white line on top, and skirt</li> <li>With lateral screw fixing</li> </ul>							
							
PART NUMBER	DIMENSIONS in millimeters						
	SHAFT DIAM. "F"	A	B	C	D	E	H
ACCKPS2015NLR14	1/4"	20	17.3	25.3	1.5	15	12.7
ACCKPS1412NLR14	1/4"	14.3	13.8	19	2.5	12.3	10


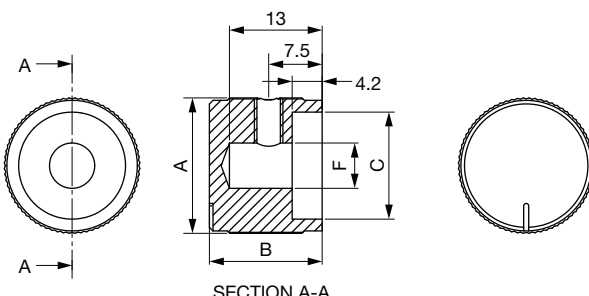
<b>SERIES</b>  <b>PS1715NLT</b>	
<b>SPECIFICATION</b> <ul style="list-style-type: none"> <li>• Material: plastic (ABS)</li> <li>• Product color: black</li> <li>• Indicator: white line on top and dot on skirt</li> <li>• With lateral screw fixing</li> </ul>	
	
<b>PART NUMBER</b>	<b>SHAFT DIAM. "F"</b>
<b>ACCKPS1715NLT14</b>	1/4"


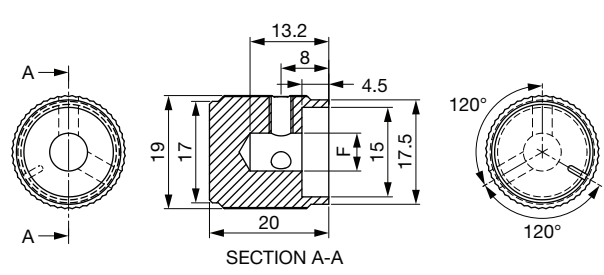
<b>SERIES</b>  <b>PS1515NDT</b>						
<b>SPECIFICATION</b> <ul style="list-style-type: none"> <li>• Material: plastic (ABS)</li> <li>• Product color: black</li> <li>• Indicator: white dot on top</li> <li>• With lateral screw fixing</li> </ul>						
						
<b>PART NUMBER</b>	<b>DIMENSIONS</b> in millimeters					
	<b>SHAFT DIAM. "F"</b>	<b>A</b>	<b>B</b>	<b>C</b>	<b>D</b>	<b>E</b>
<b>ACCKPS1515NDT14</b>	1/4"	15	15	13.2	7.5	11.5
<b>ACCKPS1515NDT6</b>	6					
<b>ACCKPS1515NDT18</b>	1/8"					

**PLASTIC CONTROL KNOBS**
**POINTER RANGE**


<b>SERIES</b>  <b>PP1915NLP</b>	
<b>SPECIFICATION</b> <ul style="list-style-type: none"> <li>• Material: plastic (ABS)</li> <li>• Product color: black</li> <li>• Indicator: white line on top and side</li> <li>• With lateral screw fixing</li> </ul>	
 <p>SECTION A-A</p>	
<b>PART NUMBER</b>	<b>SHAFT DIAM. "F"</b>
ACCKPP1915NLP14	1/4"

**METALLIC CONTROL KNOBS**
**ROUND RANGE**


<b>SERIES</b>  <b>MR1316NLT</b> <b>MR1916NLT</b>				
<b>SPECIFICATION</b> • Material: aluminum      • Indicator: white line on top • Product color: black      • With lateral screw fixing				
				
<b>DIMENSIONS in millimeters</b>				
PART NUMBER	SHAFT DIAM. "F"	A	B	C
ACCKMR1316NLT6	6	12.8	15.8	9.5
ACCKMR1316NLT14	1/4"			
ACCKMR1916NLT14	1/4"	19	15.8	15
ACCKMR1916NLT6	6			

<b>SERIES</b>  <b>MR1920NLT</b>	
<b>SPECIFICATION</b> • Material: aluminum      • Indicator: white line on top • Product color: black      • With lateral screw fixing	
	
PART NUMBER	SHAFT DIAM. "F"
ACCKMR1920NLT14	1/4"


**SERIES**




**MR1617NLT**



**MR2020NLT**



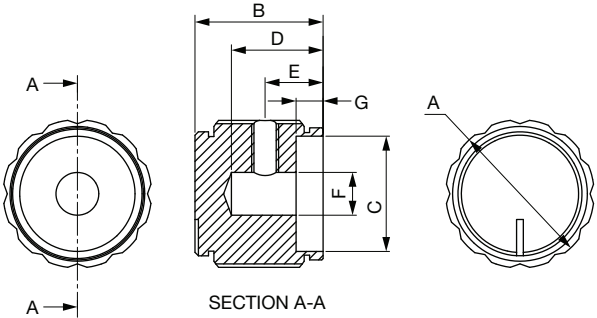
**MR2219NLT**



**MR3022NLT**

**SPECIFICATION**

- Material: aluminum
- Product color: black
- Indicator: white line on top
- With lateral screw fixing



SECTION A-A

PART NUMBER	DIMENSIONS in millimeters						
	SHAFT DIAM. "F"	A	B	C	D	E	G
ACCKMR1617NLT14	1/4"	15.5	16.5	13.5	14.5	8.4	4.5
ACCKMR2020NLT14	1/4"	20	19.5	17.5	15	9.1	5.5
ACCKMR2219NLT14	1/4"	22	19	19.6	13.6	8.6	4
ACCKMR3022NLT14	1/4"	29.7	22	28	11.6	8	4.2



**METALLIC CONTROL KNOBS**
**POINTER RANGE**

**SERIES**

**MP1325NLP**      **MP1627NLP**      **MP1925NLP**

**SPECIFICATION**

- Material: aluminum
- Product color: black
- Indicator: white line on top and side
- With lateral screw fixing

**PART NUMBER**      **DIMENSIONS** in millimeters

PART NUMBER	SHAFT DIAM. "F"	DIMENSIONS in millimeters		
		A	B	C
<b>ACCKMP1325NLP6</b>	6	12.7	25.4	13
<b>ACCKMP1325NLP14</b>	1/4"			
<b>ACCKMP1627NLP6</b>	6	16	26.7	16.3
<b>ACCKMP1627NLP14</b>	1/4"			
<b>ACCKMP1925NLP6</b>	6	19	25.4	13
<b>ACCKMP1925NLP14</b>	1/4"			

**SERIES**

**MP1316NLS**      **MP1916NLS**      **MP2416NLS**


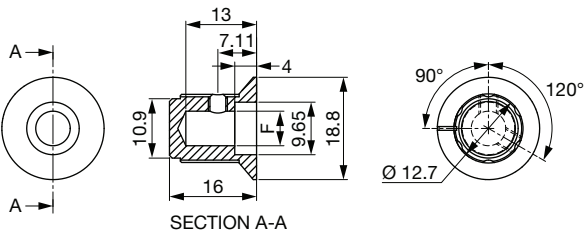
**SPECIFICATION**


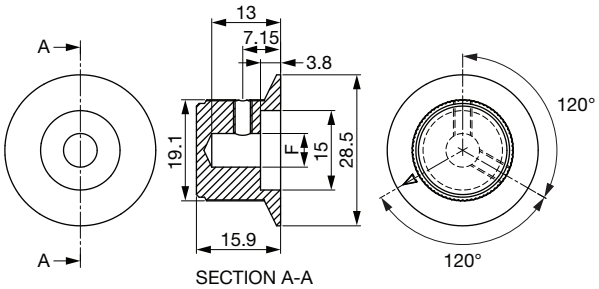
- Material: aluminum
- Product color: black
- Indicator: white line on side
- With lateral screw fixing


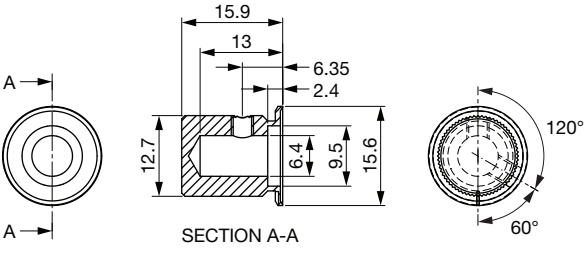
**PART NUMBER**      **DIMENSIONS** in millimeters

PART NUMBER	SHAFT DIAM. "F"	DIMENSIONS in millimeters				
		A	B	C	D	E
<b>ACCKMP1316NLS18</b>	1/8"	12.7	11.3	6.4	9.5	9
<b>ACCKMP1316NLS14</b>	1/4"					
<b>ACCKMP1916NLS14</b>	1/4"	19	17.6	6.4	15	10
<b>ACCKMP1916NLS18</b>	1/8"					
<b>ACCKMP2416NLS18</b>	1/8"	23.8	22.4	3.2	17.6	9.5
<b>ACCKMP2416NLS14</b>	1/4"					












**METALLIC CONTROL KNOBS**
**SKIRTED RANGE**


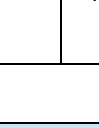
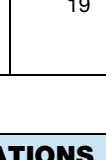
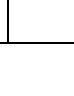

<b>SERIES</b>							
 <b>MS1316NLD</b>							
<b>SPECIFICATION</b>							
<ul style="list-style-type: none"> <li>Material: aluminum</li> <li>Product color: black</li> </ul>		<ul style="list-style-type: none"> <li>Indicator: white line on side and skirt</li> <li>With lateral screw fixing</li> </ul>					
							
<b>DIMENSIONS in millimeters</b>							
<b>PART NUMBER</b>	<b>SHAFT DIAM. "F"</b>	<b>A</b>	<b>B</b>	<b>C</b>	<b>D</b>	<b>E</b>	<b>G</b>
ACCKMS1316NLD18	1/8"	12.7	10.9	9.65	18.8	13	10.9
ACCKMS1316NLD14	1/4"						

<b>SERIES</b>								
 <b>MS1916NAS</b>								
<b>SPECIFICATION</b>								
<ul style="list-style-type: none"> <li>Material: aluminum</li> <li>Product color: black</li> </ul>			<ul style="list-style-type: none"> <li>Indicator: arrow on skirt</li> <li>With lateral screw fixing</li> </ul>					
								
<b>DIMENSIONS in millimeters</b>								
<b>PART NUMBER</b>	<b>SHAFT DIAM. "F"</b>	<b>A</b>	<b>B</b>	<b>C</b>	<b>D</b>	<b>E</b>	<b>G</b>	<b>H</b>
ACCKMS1916NAS18	1/8"	19.1	17.7	15	28.5	15.9	10.9	13
ACCKMS1916NAS14	1/4"							

<b>SERIES</b>	
 <b>MS1316NLK</b>	
<b>SPECIFICATION</b>	
<ul style="list-style-type: none"> <li>Material: aluminum</li> <li>Product color: black</li> </ul> <ul style="list-style-type: none"> <li>Indicator: white line on side and top</li> <li>With lateral screw fixing</li> </ul>	
	
<b>PART NUMBER</b>	<b>SHAFT DIAM. "F"</b>
ACCKMS1316NLK14	1/4"

<b>QUICK SEARCH / AVAILABLE SERIES</b>										
SERIES	SHAFT DIAMETER			DIAMETER (mm)	HEIGHT (mm)	IMAGE	MATERIAL	RANGE	COLOR	INDICATOR
	1/4"	1/8"	6 mm							
PR1417NLS	✓	✓	✓	13.5	17.3		ABS	Round	Black	Line on side
IS2716NLD	✓	✓	✓	27	16		ABS	Skirted	Black	Line on side and skirt
IS2012NLD	✓	✓	✓	20	12		ABS	Skirted	Black	Line on side and skirt
IR1612NLP	✓	✓	✓	16	11.8		ABS	Round	Black	Line on top and side
PS2015NLR	✓			20	15		ABS	Skirted	Black	Line on top and skirt
PS1412NLR	✓			14.3	12.3		ABS	Skirted	Black	Line on top and skirt
PS1715NLT	✓			16.6	15		ABS	Skirted	Black	Line on top
PR1817NLT	✓			18.4	17.4		ABS	Round	Black	Line on top
PR1417NLT	✓		✓	13.8	16.6		ABS	Round	Black	Line on top
PS1515NDT	✓	✓	✓	15	15		ABS	Skirted	Black	Dot on top
PP1915NLP	✓			19	14.5		ABS	Pointer	Black	Line on top and side

<b>QUICK SEARCH / AVAILABLE SERIES</b>										
SERIES	SHAFT DIAMETER			DIAMETER (mm)	HEIGHT (mm)	IMAGE	MATERIAL	RANGE	COLOR	INDICATOR
	1/4"	1/8"	6 mm							
MR1316NLT	✓		✓	12.8	15.8		Aluminum	Round	Black	Line on top
MS1316NLD	✓	✓		12.7	16		Aluminum	Skirted	Black	Line on side and skirt
MP1627NLP	✓		✓	16	26.7		Aluminum	Pointer	Black	Line on top and side
MP1925NLP	✓		✓	19	25.4		Aluminum	Pointer	Black	Line on top and side
MP1325NLP	✓		✓	12.7	25.4		Aluminum	Pointer	Black	Line on top and side
MS1916NAS	✓	✓		19.1	15.9		Aluminum	Skirted	Black	Arrow on skirt
MP1316NLS	✓	✓		12.7	15.9		Aluminum	Pointer	Black	Line on side
MP1916NLS	✓	✓		19	15.9		Aluminum	Pointer	Black	Line on side
MP2416NLS	✓	✓		23.8	15.9		Aluminum	Pointer	Black	Line on side
MR1920NLT	✓			19	20		Aluminum	Round	Black	Line on top
MR2020NLT	✓			20	19.5		Aluminum	Round	Black	Line on top

<b>QUICK SEARCH / AVAILABLE SERIES</b>										
SERIES	SHAFT DIAMETER			DIAMETER (mm)	HEIGHT (mm)	IMAGE	MATERIAL	RANGE	COLOR	INDICATOR
	1/4"	1/8"	6 mm							
MR1617NLT	✓			15.5	16.5		Aluminum	Round	Black	Line on top
MR2219NLT	✓			22	19		Aluminum	Round	Black	Line on top
MR3022NLT	✓			29.7	22		Aluminum	Round	Black	Line on top
MS1316NLK	✓			12.7	15.9		Aluminum	Skirted	Black	Line on skirt
MR1916NLT	✓		✓	19	15.8		Aluminum	Round	Black	Line on top

<b>MECHANICAL SPECIFICATIONS</b>	
Locking system	Lateral screw fixing
Knob hole shape for the shaft	Round
Plastic knob material	ABS
Metallic knob material	Aluminum

**Notes**

- For control knob customization need, knob shape, marking, color, and hole of the shaft diameter can be customized on metallic versions to meet customer requirements. For plastic knobs, only the markings and knob color can be customized to meet customer requirements.
- For knobs compatibilities with panel potentiometers portfolio: refer to application note "Control Knobs" [www.vishay.com/doc?51104](http://www.vishay.com/doc?51104)
- Nothing stated herein shall be construed as a guarantee of quality or durability



ORDERING INFORMATION (part number)																	
A	C	C	K	P	R	1	9	1	4	N	L	T	6				
MODEL	MATERIAL	KNOB RANGE		KNOB DIAMETER	KNOB HEIGHT	COLOR		INDICATOR			SHAFT DIAMETER		SPECIAL NUMBER				
ACCK	P = plastic M = metallic I = plastic with aluminum insert (on request)	R = round P = pointer S = skirted	From 10 mm to 35 mm Unit: mm	From 12 mm to 27 mm Unit: mm	N = black  On request: W = white G = grey B = blue R = red Y = yellow N = green S = silver		LT = line on top LS = line on side LP = line on top and side LR = line on top and skirt LK = line on skirt LD = line on side and skirt DT = dot on top DS = dot on skirt AS = arrow on skirt AT = arrow on top GJ = graduation to 10			3 = 3 mm 18 = 3.17 mm (1/8") 6 = 6 mm 14 = 6.35 mm (1/4")		(If applicable) Given by Vishay for custom design					
SERIES																	

PART NUMBER DESCRIPTION (for information only)							
ACCK	P	R	19	14	N	LT	14
MODEL	MATERIAL	KNOB RANGE	KNOB DIAMETER	KNOB HEIGHT	COLOR	INDICATOR	SHAFT DIAMETER
SERIES							

RELATED DOCUMENTS	
<b>APPLICATION NOTES</b>	
Control Knobs	<a href="http://www.vishay.com/doc?51104">www.vishay.com/doc?51104</a>
Potentiometers and Trimmers	<a href="http://www.vishay.com/doc?51001">www.vishay.com/doc?51001</a>
Guidelines for Vishay Sfernice Resistive and Inductive Components	<a href="http://www.vishay.com/doc?52029">www.vishay.com/doc?52029</a>
<b>OTHER</b>	
Link to Panel Potentiometers Portfolio	<a href="http://www.vishay.com/en/potentiometers/">www.vishay.com/en/potentiometers/</a>



## **Disclaimer**

ALL PRODUCT, PRODUCT SPECIFICATIONS AND DATA ARE SUBJECT TO CHANGE WITHOUT NOTICE TO IMPROVE RELIABILITY, FUNCTION OR DESIGN OR OTHERWISE.

Vishay Intertechnology, Inc., its affiliates, agents, and employees, and all persons acting on its or their behalf (collectively, "Vishay"), disclaim any and all liability for any errors, inaccuracies or incompleteness contained in any datasheet or in any other disclosure relating to any product.

Vishay makes no warranty, representation or guarantee regarding the suitability of the products for any particular purpose or the continuing production of any product. To the maximum extent permitted by applicable law, Vishay disclaims (i) any and all liability arising out of the application or use of any product, (ii) any and all liability, including without limitation special, consequential or incidental damages, and (iii) any and all implied warranties, including warranties of fitness for particular purpose, non-infringement and merchantability.

Statements regarding the suitability of products for certain types of applications are based on Vishay's knowledge of typical requirements that are often placed on Vishay products in generic applications. Such statements are not binding statements about the suitability of products for a particular application. It is the customer's responsibility to validate that a particular product with the properties described in the product specification is suitable for use in a particular application. Parameters provided in datasheets and / or specifications may vary in different applications and performance may vary over time. All operating parameters, including typical parameters, must be validated for each customer application by the customer's technical experts. Product specifications do not expand or otherwise modify Vishay's terms and conditions of purchase, including but not limited to the warranty expressed therein.

Hyperlinks included in this datasheet may direct users to third-party websites. These links are provided as a convenience and for informational purposes only. Inclusion of these hyperlinks does not constitute an endorsement or an approval by Vishay of any of the products, services or opinions of the corporation, organization or individual associated with the third-party website. Vishay disclaims any and all liability and bears no responsibility for the accuracy, legality or content of the third-party website or for that of subsequent links.

Vishay products are not designed for use in life-saving or life-sustaining applications or any application in which the failure of the Vishay product could result in personal injury or death unless specifically qualified in writing by Vishay. Customers using or selling Vishay products not expressly indicated for use in such applications do so at their own risk. Please contact authorized Vishay personnel to obtain written terms and conditions regarding products designed for such applications.

No license, express or implied, by estoppel or otherwise, to any intellectual property rights is granted by this document or by any conduct of Vishay. Product names and markings noted herein may be trademarks of their respective owners.