

## Evaluating the AD4857 Buffered, 8-Channel Simultaneous Sampling, 16-Bit 1 MSPS DAS

### FEATURES

- ▶ Full featured evaluation board for the [AD4857](#)
- ▶ 8 input channels available through SMA connectors
- ▶ On-board reference circuit and power supplies
- ▶ Standalone capability through FMC connector and/or test points
- ▶ PC software for control and data analysis of the time and frequency domain
- ▶ ZedBoard-compatible
- ▶ Compatible with other FMC controller boards

### EQUIPMENT NEEDED

- ▶ PC running Windows® 10 operating system or higher
- ▶ Digilent ZedBoard with 12 V wall adapter power supply
- ▶ Precision signal source
- ▶ SMA cables (inputs to evaluation board)
- ▶ USB cable

### SOFTWARE NEEDED

- ▶ [Analysis | Control | Evaluation \(ACE\) Software](#)
- ▶ AD4857 [ACE plugin](#) from plug-in manager

### EVALUATION BOARD KIT CONTENTS

- ▶ EVAL-AD4857FMCZ evaluation board
- ▶ Micro-SD memory card (with adapter) containing system board boot software and Linux OS

### EVALUATION BOARD PHOTOGRAPH

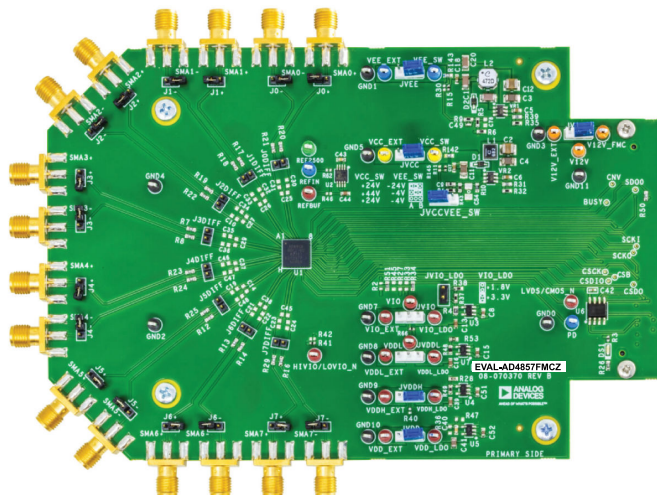


Figure 1. Evaluation Board Photograph

### GENERAL DESCRIPTION

The EVAL-AD4857FMCZ is designed to demonstrate the performance of the AD4857 and to provide access to many included configuration options that are accessed via a simple ACE plug-in graphical user interface (GUI). The AD4857 is a fully buffered, 8-channel simultaneous sampling, 16-bit, 1 MSPS data acquisition system (DAS) with differential, wide common-mode range inputs.

The EVAL-AD4857FMCZ on-board components include the following:

- ▶ The [LTC6655](#) high precision, low drift, 4.096 V voltage reference (not used by default)
- ▶ The [LT1761](#), low noise, 1.8 V, 2.5 V, and 5 V low dropout (LDO) regulators
- ▶ The [LT8330](#) low quiescent current ( $I_Q$ ) boost converter

For full details on the AD4857, see the AD4857 data sheet, which must be consulted in conjunction with this user guide when using the EVAL-AD4857FMCZ evaluation board.

This evaluation board can also be used to evaluate the performance of the [AD4855](#).

**TABLE OF CONTENTS**

Features.....	1	Evaluation Board Hardware.....	5
Equipment Needed.....	1	Hardware Link Options.....	5
Software Needed.....	1	Connectors and Sockets.....	7
Evaluation Board Kit Contents.....	1	Power Supplies.....	7
General Description.....	1	Reference Circuit.....	7
Evaluation Board Photograph.....	1	Evaluation Board Schematics and Artwork.....	8
Quick Start Guide.....	3		

**REVISION HISTORY**

**8/2024—Rev. 0 to Rev. A**

Changes to General Description Section.....	1
---	---

**6/2024—Revision 0: Initial Version**

## QUICK START GUIDE

Take the following steps to begin to evaluate the EVAL-AD4857FMCZ:

1. Download and install the **ACE Software** from the [ACE](#) web page. If ACE is already installed on the computer, ensure that the latest version is being used by clicking the **Check For Updates** icon in the **ACE Software** sidebar, as shown in [Figure 2](#).

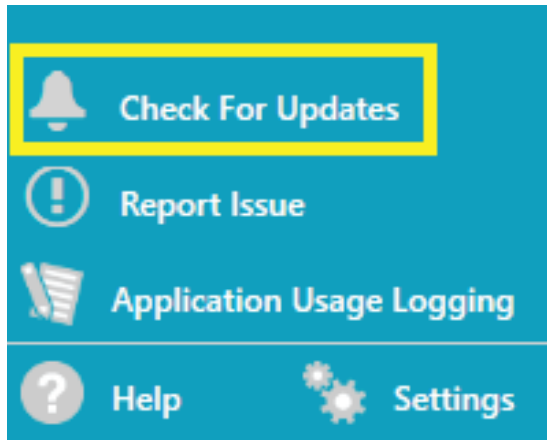


Figure 2. Check For Updates Option in the ACE Sidebar

2. Run the **ACE Software**, select the **Plug-in Manager** from the ACE sidebar to install the board plug-in that supports the AD4857 evaluation board, and select **Available Packages**, as shown in [Figure 3](#). You can use the search field to help filter the list of boards to find the AD4857 board. See the [ACE Quickstart - Using ACE and Installing Plug-ins](#) guide for additional information.

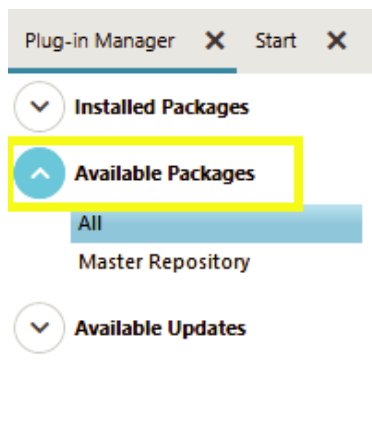


Figure 3. Plug-in Manager Option in the Sidebar

3. Insert the Micro-SD card (with the adapter) that was provided in the evaluation board kit into the SD card slot on the underside

of the ZedBoard. If there is a requirement to reimage or create a new Micro-SD card, see the following instructions found on the Analog Devices, Inc., website: [ADI Kuiper Linux with support for ACE Evaluation](#).

4. Ensure the ZedBoard boot configuration jumpers are set to use the Micro-SD card as shown in [Figure 4](#). To avoid potential damage when JVIO is changed as described in [Table 1](#), ensure that the VADJ SELECT jumper is set to the correct voltage for the EVAL-AD4857FMCZ.

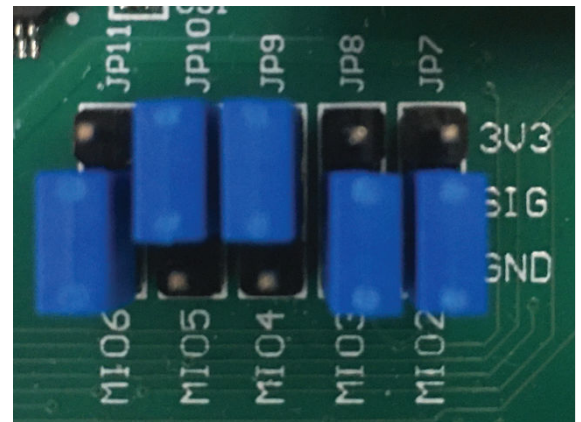
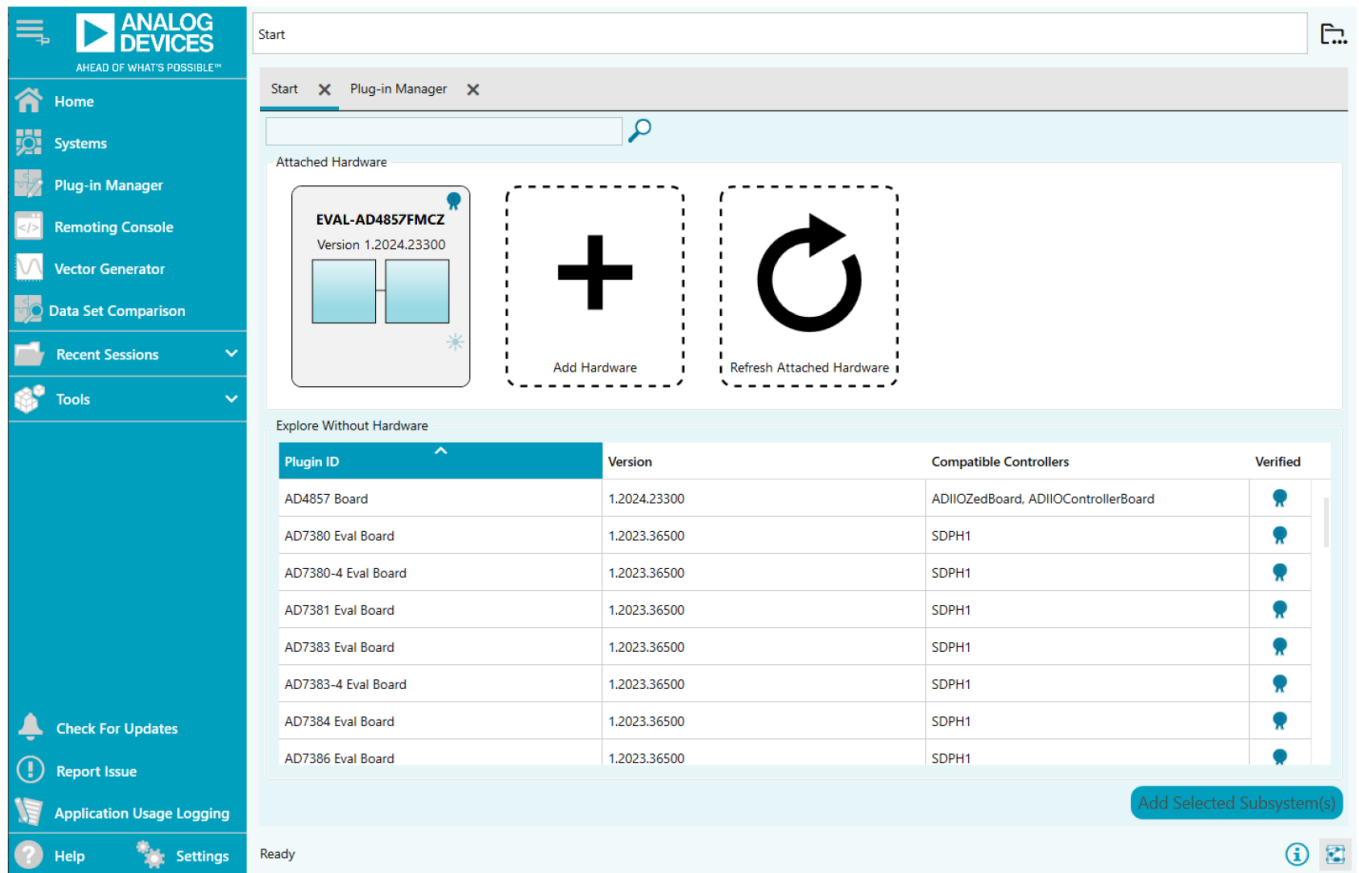


Figure 4. ZedBoard Boot Configuration Jumpers

5. Connect the EVAL-AD4857FMCZ to the FMC connector on the ZedBoard.
6. Connect the USB cable from the computer to the J13/USB OTG port, and connect the 12 V power supply to J20/DC input.
7. Slide the SW8/POWER switch in the ZedBoard to the on position. The green LD13/POWER LED turns on and is followed by the blue LD12/DONE LED (within the ZedBoard). The DS1 LED in the EVAL-AD4857FMCZ also turns on.
8. The red LD7 LED blinks approximately 20 sec to 30 sec later, indicating that the boot process is complete.
9. Launch the **ACE Software** from the **Analog Devices** folder in the **Windows Start** menu. The EVAL-AD4857FMCZ appears in the **ACE Start** in the **Attached Hardware** view, as shown in [Figure 5](#).

If the EVAL-AD4857FMCZ does not appear on the **Attached Hardware** view, the plug-in can still be launched from the **Explore Without Hardware** menu. Click **Proceed To Documentation** to open the plug-in documentation for troubleshooting help as well as descriptions of each window and features within the plug-in.

QUICK START GUIDE



005

Figure 5. Attached Hardware View

## EVALUATION BOARD HARDWARE

The AD4857 is a fully buffered, 8-channel simultaneous sampling, 16-bit 1 MSPS DAS with differential, wide common-mode range inputs. The AD4857 has an on-chip low drift 4.096 V internal voltage reference; however, it also optionally accepts an external reference applied through the REFIO pin and provided to the on-board LTC6655. The device operates from different power rails, provided through on-board LDO regulators as described in [Power Supplies](#) section. An option to connect external supplies exists and is explained in [Table 1](#).

## HARDWARE LINK OPTIONS

[Table 1](#) details the link option functions and the default power link options. The EVAL-AD4857FMCZ can be powered from different sources, as described in the [Power Supplies](#) section. By default, the power supply required for the EVAL-AD4857FMCZ comes from the ZedBoard controller board. The power supply is regulated by the on-board regulators that generate the required bipolar supplies.

**Table 1. Jumper Details with the Factory Default Settings**

Link	Default Position	Function
JODIFF to J7DIFF	Not inserted	Offset Calibration Jumper. Inserting the JODIFF to J7DIFF jumper link allows short circuiting the corresponding pair of inputs to measure the AD4857 offset and/or to perform an offset calibration.
J0+ to J7+	Not inserted	Analog Input to Ground Connection. Insert the J0+ to J7+ jumper link to connect to the AGND pin, the corresponding positive analog input.
J0- to J7-	Not inserted	Analog Input to Ground Connection. Insert the J0- to J7- jumper link to connect to the AGND pin, the corresponding negative analog input.
JV12V	A	The JV12V link selects the power supply source for the EVAL-AD4857FMCZ evaluation board. In Position A, the unregulated supply to the on-board LDO regulators is taken from the ZedBoard 12 V supply. In Position B, the unregulated external supply to the on-board LDO regulators is taken from the V12V_EXT connector.
JSHIFT	A	The JSHIFT link selects the power supply type for the AD4857. In Position A, the $V_{CC}$ pin = +24 V, and the $V_{EE}$ pin = -24 V. In Position B, the $V_{CC}$ pin = +44 V, and the $V_{EE}$ pin = -4 V. If not inserted, the $V_{CC}$ pin = +24 V, and the $V_{EE}$ pin = -4 V.
JVCC	A	The JVCC link selects the $V_{CC}$ pin supply source. In Position A, the $V_{CC}$ pin is provided by the on board LT8330 DC/DC converter. In Position B, the $V_{CC}$ pin is provided though VCC_EXT connector.
JVEE	A	The JVEE link selects the $V_{EE}$ pin supply source. In Position A, the $V_{EE}$ pin is provided by the on-board LT8330 DC/DC converter. In Position B, the $V_{EE}$ pin is provided though VEE_EXT connector.
JVDDH	A	The JVDDH link selects the $V_{DDH}$ pin supply source. In Position A, the $V_{DDH}$ pin is provided by the on board LT1761 2.5 V LDO regulator. In Position B, the $V_{DDH}$ pin is provided though VDDH_EXT connector. If not inserted, the $V_{DDH}$ pin can be tied to the AGND pin by inserting an R40 resistor. To disable the internal LDO regulator, tie the $V_{DDH}$ pin to the GND pin. With the regulator is disabled, connect the $V_{DDL}$ pin to an external supply in the range of 1.71 V to 1.89 V through the JVDDL link.
JVDD	A	The JVDD link selects the $V_{DD}$ pin supply source. In Position A, the $V_{DD}$ pin is provided by the on-board LT1761 5 V LDO regulator. In Position B, the $V_{DD}$ pin is provided though VDD_EXT connector.
JVDDL	Not inserted	The JVDDL link selects the $V_{DDL}$ pin supply source. In Position A, the $V_{DDL}$ pin is provided by the on-board LT1761 1.8 V LDO regulator. To use this configuration, tie the $V_{DDH}$ pin to ground through the JVDDH link. In Position B, the $V_{DDL}$ pin is provided though the VDDL_EXT connector. To use this configuration, tie the $V_{DDH}$ pin to ground through the JVDDH link. If not inserted, the internal LDO regulator is used for the JVDDH link to be in Position A or Position B.

## EVALUATION BOARD HARDWARE

**Table 1. Jumper Details with the Factory Default Settings (Continued)**

Link	Default Position	Function
JVIO	Not inserted	<p>The JVIO link selects the <math>V_{IO}</math> pin supply source. If not inserted, the <math>V_{IO}</math> pin is taken from the ZedBoard (default). Alternatively, the <math>V_{IO}</math> pin can be supplied from either the on-board LDO regulators or an external supply.</p> <p>In Position A, the <math>V_{IO}</math> pin is provided by the on-board LT1761 LDO regulator with an output voltage dependent on the JVIO_LDO link. The R66 resistor (shown in <a href="#">Figure 7</a>) is unsoldered.</p> <p>In Position B, the <math>V_{IO}</math> pin is provided through the VIO_EXT connector. The R66 resistor is unsoldered.</p> <p>Note the field programmable gate array (FPGA) image provided works at a 2.5 V digital level; therefore, use caution when changing the default position of the JVIO link jumper.</p>
JVIO_LDO	Not inserted	<p>The JVIO_LDO link selects the LT1761 LDO regulator output voltage when the JVIO link is in Position B.</p> <p>Inserted, the LT1761 output voltage is 3.3 V.</p> <p>Not inserted, the LT1761 output voltage is 1.8 V.</p>

## EVALUATION BOARD HARDWARE

### CONNECTORS AND SOCKETS

The connectors and sockets on the EVAL-AD4857FMCZ are outlined in [Table 2](#).

**Table 2. On-Board Connectors**

Connector	Function
SMA0+ to SMA7+	Positive analog input Subminiature Version A (SMA) to Channel 0 through Channel 7
SMA0- to SMA7-	Negative analog input SMA to Channel 0 through Channel 7
P1	FPGA mezzanine card (FMC) connector

### POWER SUPPLIES

The ZedBoard supplies 12 V to power the rails for the different components on the EVAL-AD4857FMCZ. The AD4857 uses the following five power supply pins:

- ▶ Positive high voltage power supply (the  $V_{CC}$  pin)
- ▶ Negative high voltage power supply (the  $V_{EE}$  pin)
- ▶ Low voltage power supply (the  $V_{DD}$  pin)
- ▶ 1.8 V power supply (the  $V_{DDL}$  pin)
- ▶ Digital power supply (the  $V_{IO}$  pin)

A combination of the [LT8330](#) DC/DC converter and the [LT1761](#) LDO regulator generate all the needed supply rails on the board.

**Table 3. Default Power Supplies Available in the EVAL-AD4857FMCZ**

Power Supply (V)	Function	Component
+24	$V_{CC}$	LT8330
-24	$V_{EE}$	LT8330
+2.5	$V_{DDH}$	LT1761
+5	$V_{DD}$	LT1761
+1.8	$V_{IO}$	LT1761

### REFERENCE CIRCUIT

By default, the AD4857 in the EVAL-AD4857FMCZ uses the internal low noise, low drift (10 ppm/°C maximum), temperature compensated band-gap reference that is factory trimmed to 4.096 V and the internal reference buffer.

As an optional alternative, an [LTC6655](#) high precision, low drift (2 ppm/°C maximum), 4.096 V voltage reference is also provided. This external reference can be used in two different configurations, as explained in the AD4857 data sheet and as follows:

- ▶ External reference with internal buffer. For this configuration, connect the external reference to the REFIO pin and populate the R62 resistor shown in [Figure 7](#).
- ▶ External reference with disabled internal buffer. For this configuration, connect the external reference to the REFBUF pin and populate the R46 resistor shown in [Figure 7](#) and also connect the REFIO test point to ground.

EVALUATION BOARD SCHEMATICS AND ARTWORK

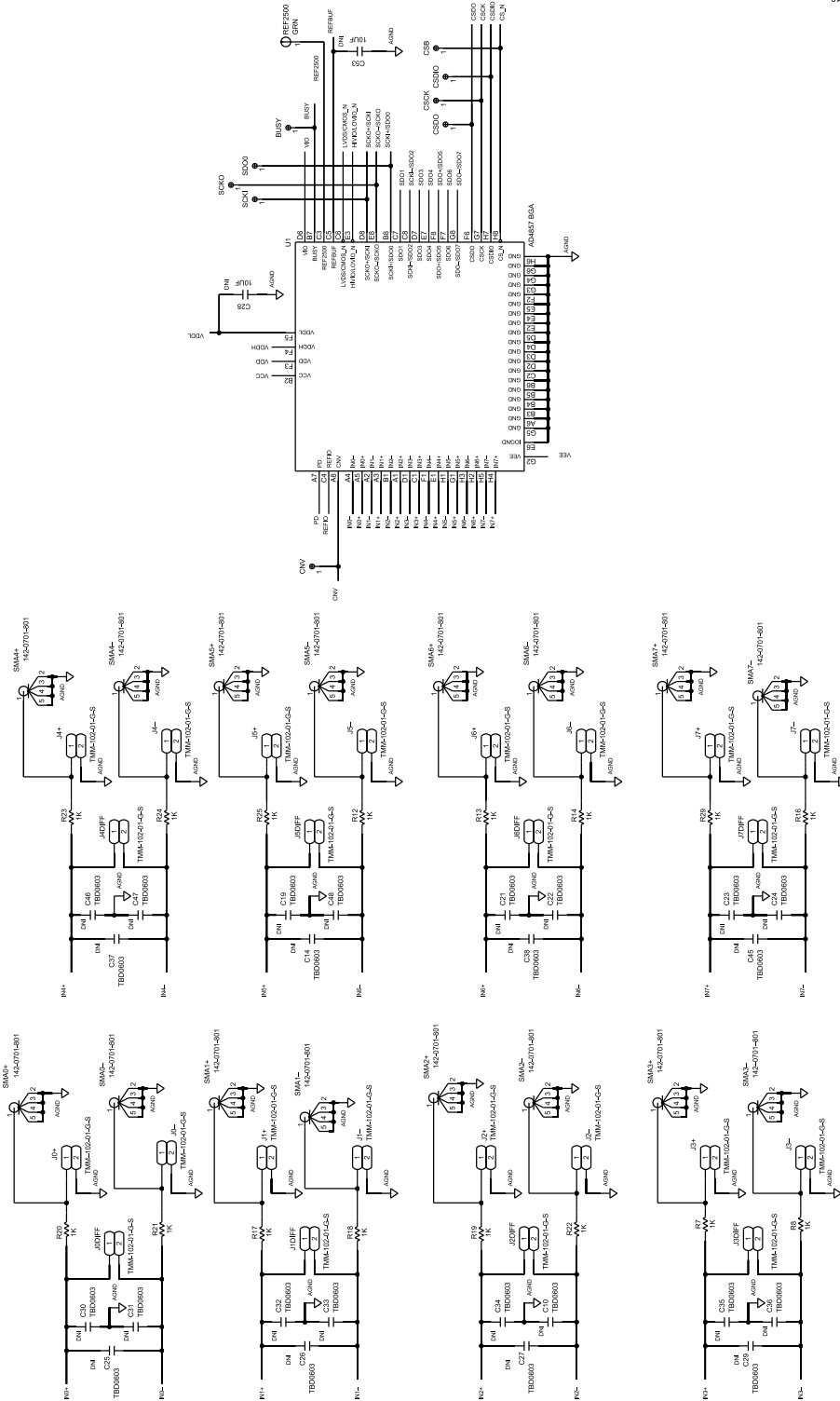


Figure 6. Analog Inputs Schematic



EVALUATION BOARD SCHEMATICS AND ARTWORK

020

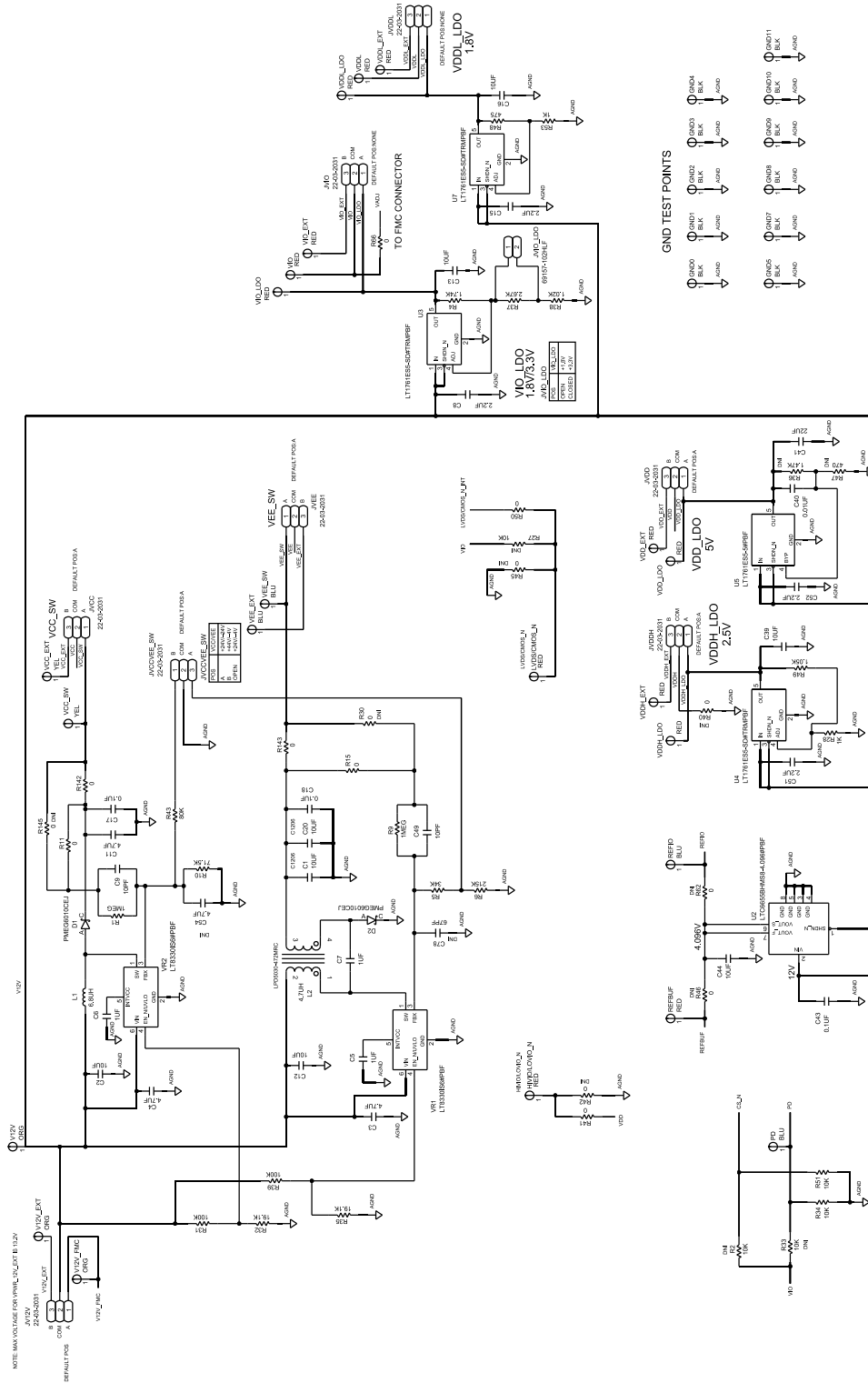


Figure 7. Power Solution Schematic

EVALUATION BOARD SCHEMATICS AND ARTWORK

DIGITAL HOST CONNECTIONS  
FMC 160-PIN CONNECTOR

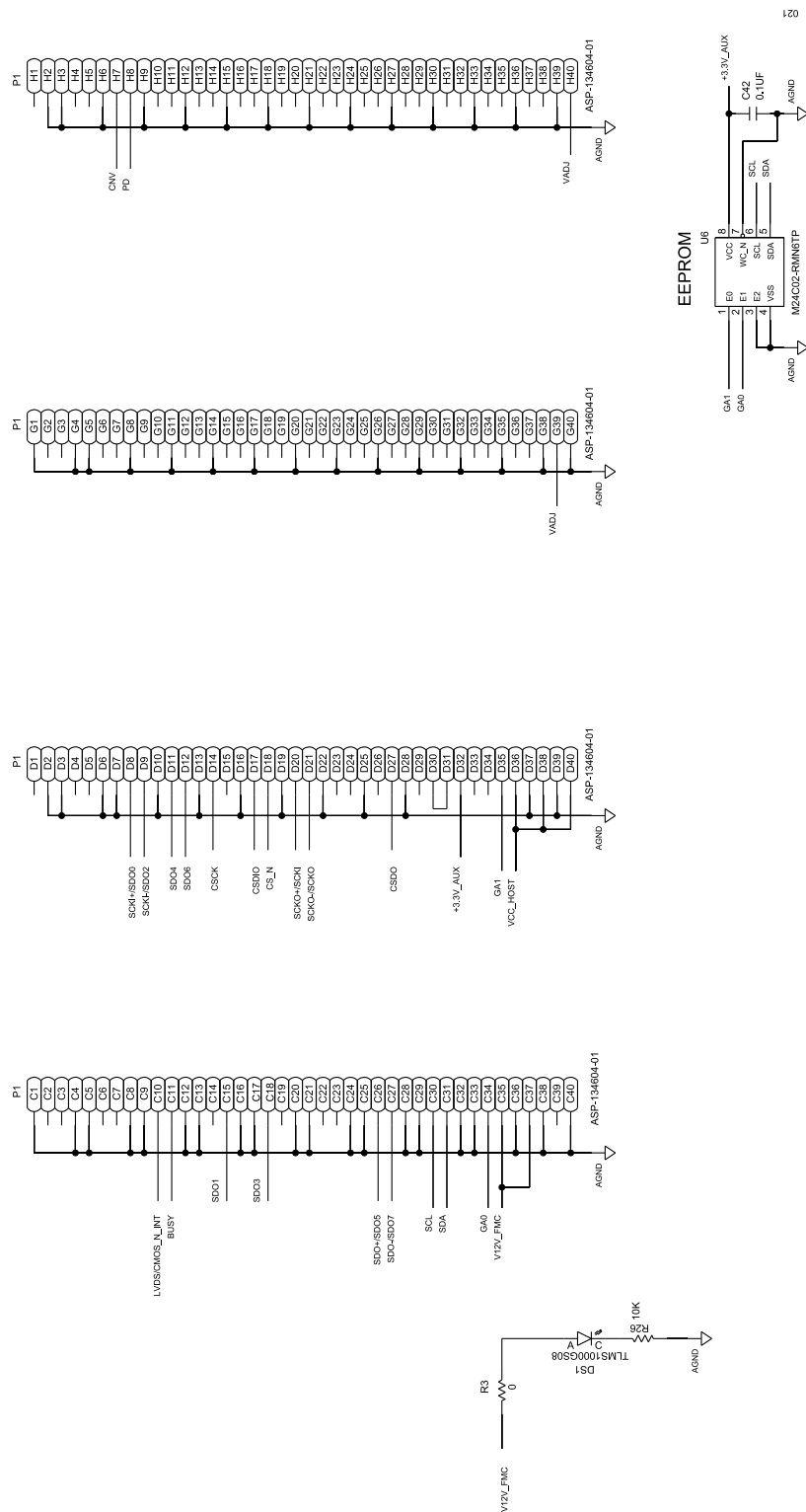


Figure 8. FMC Connection Schematic

**NOTES****ESD Caution**

**ESD (electrostatic discharge) sensitive device.** Charged devices and circuit boards can discharge without detection. Although this product features patented or proprietary protection circuitry, damage may occur on devices subjected to high energy ESD. Therefore, proper ESD precautions should be taken to avoid performance degradation or loss of functionality.

**Legal Terms and Conditions**

By using the evaluation board discussed herein (together with any tools, components documentation or support materials, the "Evaluation Board"), you are agreeing to be bound by the terms and conditions set forth below ("Agreement") unless you have purchased the Evaluation Board, in which case the Analog Devices Standard Terms and Conditions of Sale shall govern. Do not use the Evaluation Board until you have read and agreed to the Agreement. Your use of the Evaluation Board shall signify your acceptance of the Agreement. This Agreement is made by and between you ("Customer") and Analog Devices, Inc. ("ADI"), with its principal place of business at Subject to the terms and conditions of the Agreement, ADI hereby grants to Customer a free, limited, personal, temporary, non-exclusive, non-sublicensable, non-transferable license to use the Evaluation Board FOR EVALUATION PURPOSES ONLY. Customer understands and agrees that the Evaluation Board is provided for the sole and exclusive purpose referenced above, and agrees not to use the Evaluation Board for any other purpose. Furthermore, the license granted is expressly made subject to the following additional limitations: Customer shall not (i) rent, lease, display, sell, transfer, assign, sublicense, or distribute the Evaluation Board; and (ii) permit any Third Party to access the Evaluation Board. As used herein, the term "Third Party" includes any entity other than ADI, Customer, their employees, affiliates and in-house consultants. The Evaluation Board is NOT sold to Customer; all rights not expressly granted herein, including ownership of the Evaluation Board, are reserved by ADI. CONFIDENTIALITY. This Agreement and the Evaluation Board shall all be considered the confidential and proprietary information of ADI. Customer may not disclose or transfer any portion of the Evaluation Board to any other party for any reason. Upon discontinuation of use of the Evaluation Board or termination of this Agreement, Customer agrees to promptly return the Evaluation Board to ADI. ADDITIONAL RESTRICTIONS. Customer may not disassemble, decompile or reverse engineer chips on the Evaluation Board. Customer shall inform ADI of any occurred damages or any modifications or alterations it makes to the Evaluation Board, including but not limited to soldering or any other activity that affects the material content of the Evaluation Board. Modifications to the Evaluation Board must comply with applicable law, including but not limited to the RoHS Directive. TERMINATION. ADI may terminate this Agreement at any time upon giving written notice to Customer. Customer agrees to return to ADI the Evaluation Board at that time. LIMITATION OF LIABILITY. THE EVALUATION BOARD PROVIDED HEREUNDER IS PROVIDED "AS IS" AND ADI MAKES NO WARRANTIES OR REPRESENTATIONS OF ANY KIND WITH RESPECT TO IT. ADI SPECIFICALLY DISCLAIMS ANY REPRESENTATIONS, ENDORSEMENTS, GUARANTEES, OR WARRANTIES, EXPRESS OR IMPLIED, RELATED TO THE EVALUATION BOARD INCLUDING, BUT NOT LIMITED TO, THE IMPLIED WARRANTY OF MERCHANTABILITY, TITLE, FITNESS FOR A PARTICULAR PURPOSE OR NON-INFRINGEMENT OF INTELLECTUAL PROPERTY RIGHTS. IN NO EVENT WILL ADI AND ITS LICENSORS BE LIABLE FOR ANY INCIDENTAL, SPECIAL, INDIRECT, OR CONSEQUENTIAL DAMAGES RESULTING FROM CUSTOMER'S POSSESSION OR USE OF THE EVALUATION BOARD, INCLUDING BUT NOT LIMITED TO LOST PROFITS, DELAY COSTS, LABOR COSTS OR LOSS OF GOODWILL. ADI'S TOTAL LIABILITY FROM ANY AND ALL CAUSES SHALL BE LIMITED TO THE AMOUNT OF ONE HUNDRED US DOLLARS (\$100.00). EXPORT. Customer agrees that it will not directly or indirectly export the Evaluation Board to another country, and that it will comply with all applicable United States federal laws and regulations relating to exports. GOVERNING LAW. This Agreement shall be governed by and construed in accordance with the substantive laws of the Commonwealth of Massachusetts (excluding conflict of law rules). Any legal action regarding this Agreement will be heard in the state or federal courts having jurisdiction in Suffolk County, Massachusetts, and Customer hereby submits to the personal jurisdiction and venue of such courts. The United Nations Convention on Contracts for the International Sale of Goods shall not apply to this Agreement and is expressly disclaimed.

