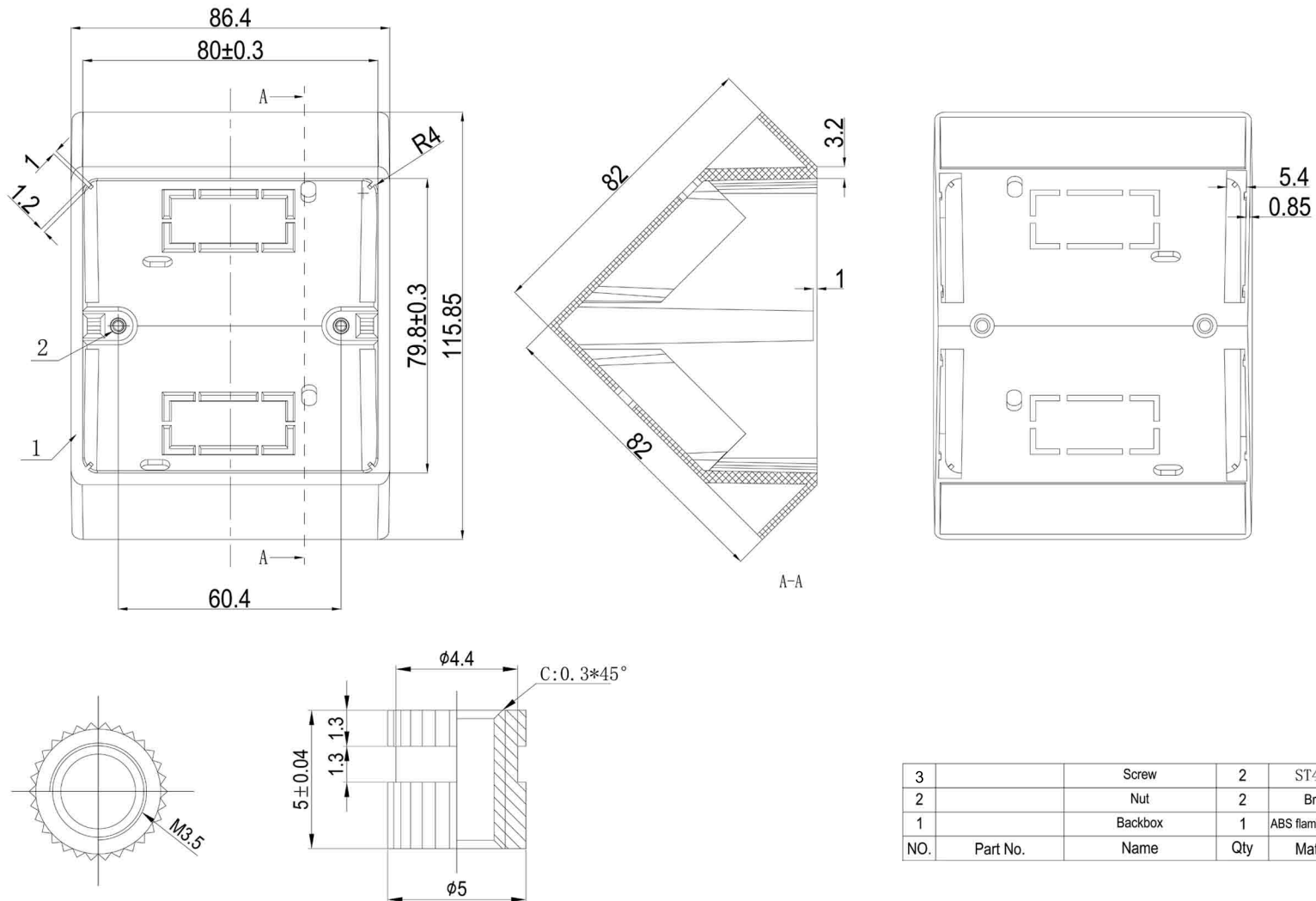


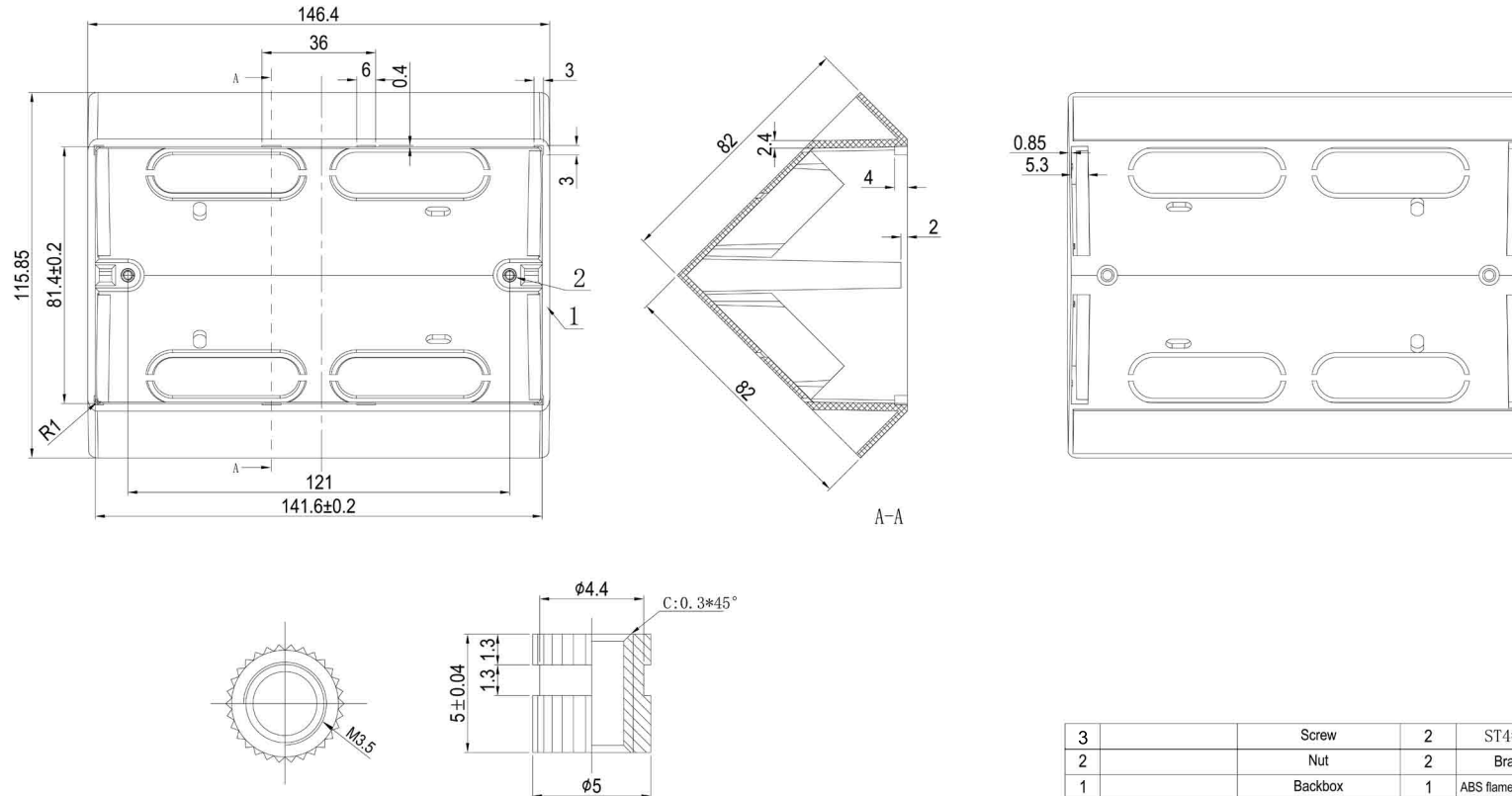
Packaging:**3LABk:** in individual polybags, then in a box of 5, then in a carton of 50 boxes**3LAG2Bk:** in individual polybags, then in a box of 25, then in a carton of 50 boxes**Commodity code:** 94051021**EAN:** 3LABk: 5055386512802

3LAG2Bk: 5055386512819

Country of Origin: China**Illustrative Images**



3		Screw	2	ST4*20	Phillips pan screw zinc plated
2		Nut	2	Brass	
1		Backbox	1	ABS flame retardant	
NO.	Part No.	Name	Qty	Material	Description



3		Screw	2	ST4*20	Phillips pan screw zinc plated
2		Nut	2	Brass	
1		Backbox	1	ABS flame retardant	
NO.	Part No.	Name	Qty	Material	Description