

DIN-Power code pin



Image is for illustration purposes only. Please refer to product description.

Part number	09 06 000 9950
Specification	DIN-Power code pin
HARTING eCatalogue	https://b2b.harting.com/09060009950

Identification

Category	Accessories
Series	DIN 41612
Type of accessory	Coding pin
Description of the accessory	for types D, E, F and interface connectors I

Technical characteristics

Isolation group	IIIa ($175 \leq CTI < 400$)
-----------------	-------------------------------

Material properties

Material (accessories)	Metal
Colour (accessories)	RAL 7032 (pebble grey)
Material flammability class acc. to UL 94	V-0
RoHS	compliant
ELV status	compliant
China RoHS	e
REACH Annex XVII substances	Not contained
REACH ANNEX XIV substances	Not contained
REACH SVHC substances	Not contained
California Proposition 65 substances	Not contained

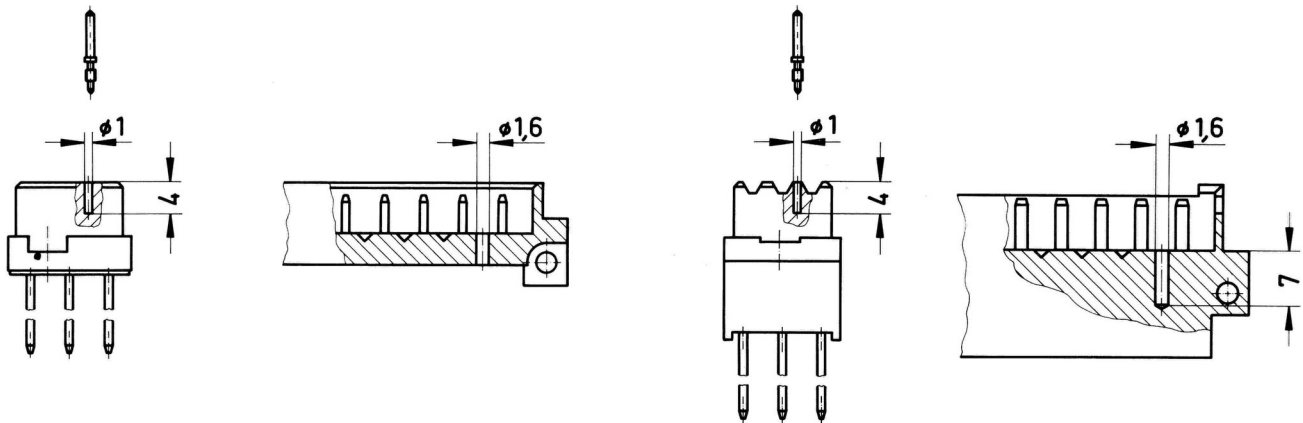
Specifications and approvals

Railway classification	F4/I3 acc. to NFF 16-101/102
------------------------	------------------------------

Commercial data

Packaging size	100
Net weight	0.09 g
Country of origin	Germany
European customs tariff number	85389099
GTIN	5713140010147
ETIM	EC002311
eCl@ss	27440203 Coding for industrial connectors

Coding pin



Drill out the male connector at pre-centered point according to the sketch. The coding pin can then be inserted into the corresponding cavity of the female connector by means of the insertion tool. This coding system is available only for the types D, E, F and interface connectors I.