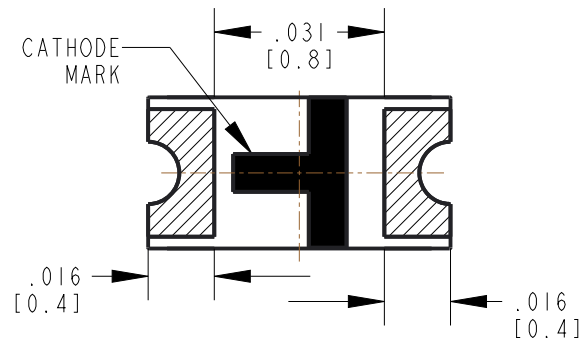
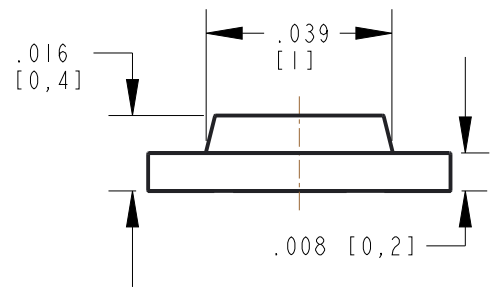
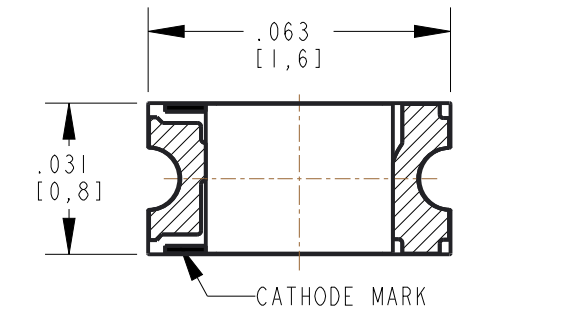


DIALIGHT PART NUMBER	LED COLOR	LENS COLOR
599-0010-137F	RED	WATER CLEAR
599-0030-137F	ORANGE	WATER CLEAR
599-0040-137F	YELLOW	WATER CLEAR
599-0060-137F	YELLOW GREEN	WATER CLEAR
599-0080-137F	TRUE GREEN	WATER CLEAR
599-0090-137F	BLUE	WATER CLEAR
599-2000-137F	WHITE	YELLOW DIFFUSED

NOTES:

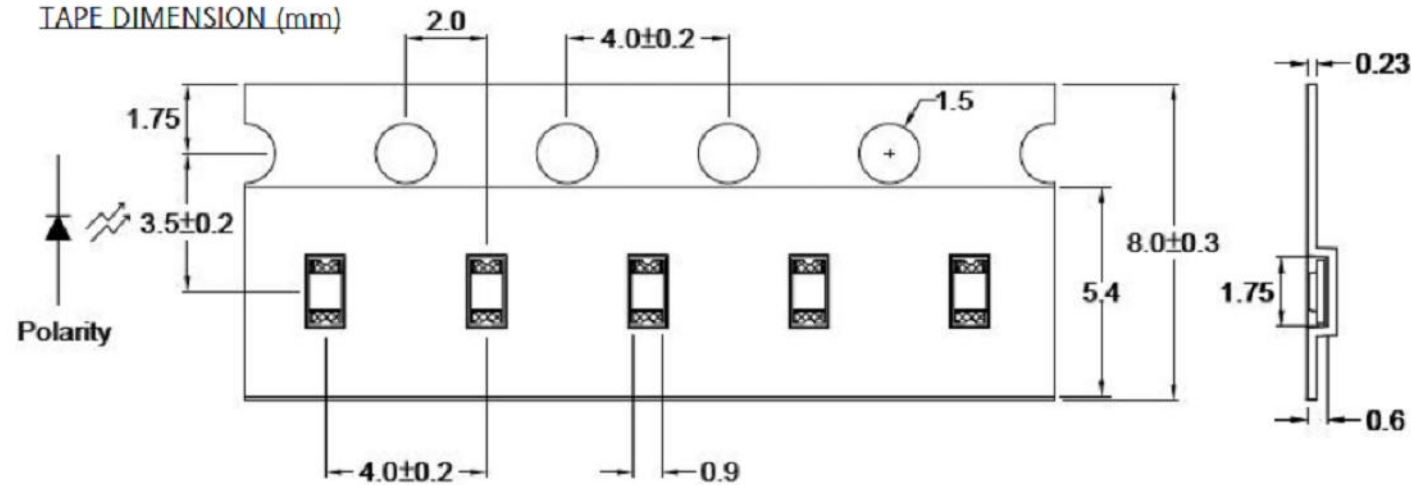
- PARTS ARE TO BE SUPPLIED IN 8mm CARRIER TAPE ON 7" REEL
4000 PCS PER REEL.
- THIS ASSEMBLY CONTAINS ELECTROSTATIC DISCHARGE DEVICES (ESDS). MAINTAIN ALL PRECAUTIONARY MEASURES DURING ASSEMBLY, HANDLING AND STORAGE IN ACCORDANCE WITH IPC-A-610
- THIS PRODUCT IS ROHS COMPLIANT EACH BAG IS TO BE MARKED WITH ROHS COMPLIANT LABEL OR EQUIVALENT MARKINGS. LED MUST BE Pb FREE.
- MOISTURE SENSITIVITY LEVEL IS 2

REV	ECN NO	REVISIONS	DRN	CKD	APP	DATE
A	114550	NEW RELEASE	JSG	CS	NO	30JAN24
B	116588	ADD NEW P/N 599-0080-137F & REVISE TAPE DIMENSIONS.	JSG	CS	NO	03APR24
C	123092	ADDED PART NUMBERS 599-0010-137F, 599-0030-137F 599-0040-137F & 599-0090-137F	LD	CS	NO	10-22-24

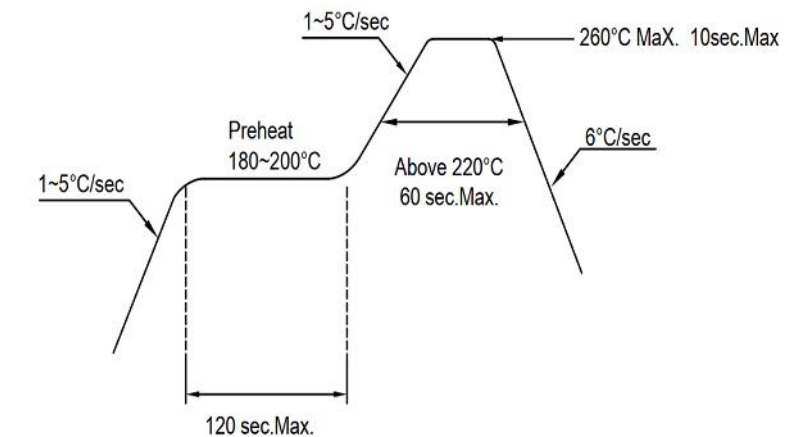


LED SCHEMATIC

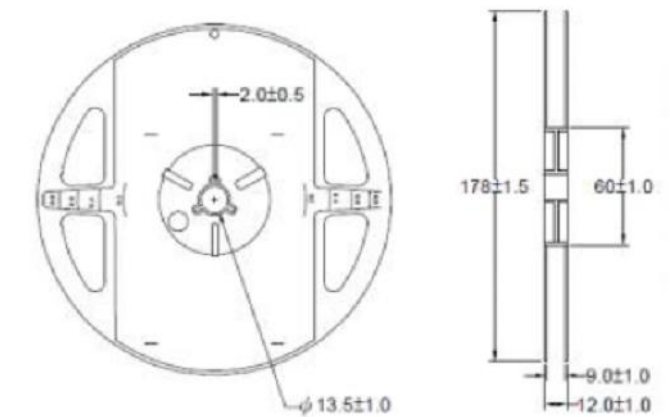
TAPE DIMENSION (mm)



RECOMMENDED ROHS SOLDER PROFILE



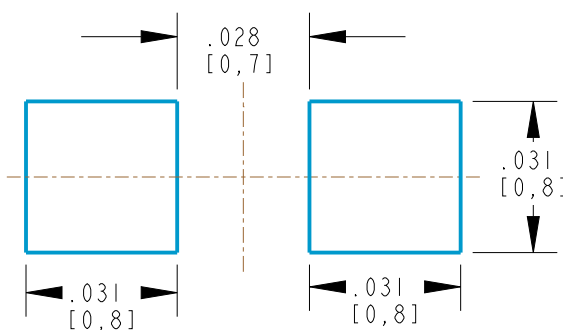
REEL DIMENSION (mm)



ABSOLUTE MAXIMUM RATINGS AT 25°C							
LED COLOR	POWER DISSIPATION (mW)	FORWARD CURRENT (mA)	PEAK FORWARD CURRENT (mA) DUTY 1/10@10KHz	OPERATING TEMPERATURE (°C)	STORAGE TEMPERATURE (°C)	ELECTROSTATIC DISCHARGE (V)	DERATING CURVE (mA/°C)
RED	60	25	75	-40°C TO +85°C	-40°C TO +100°C	2000	—
ORANGE	65	25	60			2000	—
YELLOW	65	25	60			2000	0.28
YELLOW GREEN	65	25	75			2000	0.28
TRUE GREEN	72	20	100			500	0.28
BLUE	72	20	100			500	0.28
WHITE	72	20	100			500	0.28

OPERATING CHARACTERISTICS AT 25°C AMBIENT										
LED COLOR	TEST CONDITION	LUMINOUS INTENSITY (mcd)		FORWARD VOLTAGE (V)		DOMINANT WAVELENGTH (nm)			REVERSE CURRENT (µA)	VIEWING ANGLE (DEG)
		MIN	MAX	MIN	MAX	MIN	TYP	MAX	MAX	TYP
RED	20mA	50	200	1.9	2.5	624	630	636	10µA @ VR=5V	130
ORANGE		50	320	1.7	2.6	600	605	615	10µA @ VR=5V	130
YELLOW		50	320	1.7	2.6	589	595	598	10µA @ VR=5V	130
YELLOW GREEN		20	125	1.7	2.6	568	572	576	10µA @ VR=5V	130
TRUE GREEN		200	1250	2.8	3.6	520	525	534	50µA @ VR=5V	130
BLUE		50	320	2.8	3.6	465	470	477	10µA @ VR=5V	130
* WHITE		200	1250	2.8	3.6	X=0.26 Y=0.225	—	X=0.31 Y=0.34	50µA @ VR=5V	130

* CHROMATICITY COORDINATES



RECOMMEND PAD LAYOUT



ATTENTION:
OBSERVE PRECAUTIONS FOR
HANDLING ELECTROSTATIC
SENSITIVE DEVICES

THIS DRAWING AND THE CONTENTS HEREIN ARE CONFIDENTIAL AND THE SOLE PROPERTY OF DIALIGHT CORP. REPRODUCTION OF THIS DRAWING OR CONSTRUCTION OF ANY PARTS WITHIN THIS DRAWING ARE FORBIDDEN WITHOUT THE WRITTEN CONSENT OF DIALIGHT CORP.		
DIALIGHT CORP INTERNAL REFERENCE ONLY = 3D MODEL : 4500521866X30-.2		
SCALE: 25.000	DRAWING NUMBER	REV
ALL DIM'S: INCH (mm)	C-18736	C
TOLERANCES: UNLESS OTHERWISE SPECIFIED	TITLE 0603 SM LED 0.4mm THICKNESS	
FRACTIONS: ±1/64 DECIMALS (.XX): ±.01 DECIMALS (.XXX): ±.005 DECIMALS (.XXXX): ±.0005 ANGLES: ±1°	MATERIAL	
FINISH	Dialight 1501 ROUTE 34 SOUTH FARMINGDALE, NJ 07727 (732) 919-3119 www.dialight.com	
FSCM 83330	SHEET 1 OF 1	FAMILY TABLE: