



AZ21X/31X-B1

- Straight actuator
- Particularly suitable for sliding doors

Data

Ordering data

Product type description	AZ21X/31X-B1
Article number (order number)	157000540
eCl@ss number, version 12.0	27-27-26-06
eCl@ss number, version 11.0	27-27-26-06
eCl@ss number, version 9.0	27-27-26-06
ETIM number, version 7.0	EC001487
ETIM number, version 6.0	EC001487

General data

Coding level according to EN ISO 14119	Low
Material of the actuator	Stainless steel (V2A)
Gross weight	37 g

Mechanical data

Actuator	straight rigid rubber mounting
----------	--------------------------------------

Mechanical data - Dimensions

Length	71 mm
Width	32 mm
Height	8 mm

Pictures

Product picture (catalogue individual photo)

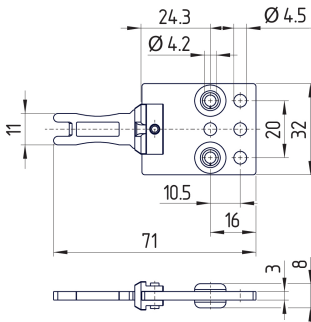


ID: kaz2x3xf02

| 687.1 kB | .jpg | 352.778 x 706.261 mm - 1000 x 2002 px - 72 dpi

| 79.7 kB | .png | 74.083 x 148.167 mm - 210 x 420 px - 72 dpi

Dimensional drawing actuator



ID: kaz21xb01

| 174.0 kB | .jpg | 352.425 x 361.597 mm - 999 x 1025 px - 72 dpi

| 14.4 kB | .png | 74.083 x 75.847 mm - 210 x 215 px - 72 dpi

Schmersal Ltd., Sparrowhawk Close, WR14 1GL Malvern

The details and data referred to have been carefully checked. Images may diverge from original. Further technical data can be found in the manual. Technical amendments and errors possible.

Generated on: 29/10/2024, 05:11