

# Digital Soldering Station multicomp<sup>PRO</sup>

RoHS  
Compliant



MP740893 EU / MP740893 UK



MP740894



MP740895

## Features

- This product designed with digital led segmented display.
- Combined soldering station with 230V soldering iron and solder wire holder.
- MCU controlled temperature calibration with PID system equipped, adjust temperature by knob button, easy to operate.
- The handle structure is ergonomically designed for comfortable grip.
- The heating wire and sensor are made of PTC material, which is quick in temperature rise and precise in temperature control.
- Auto-standby, auto-shut down is available.

## Specifications

Power Consumption	: 80W
Input Voltage	: 220V AC to 240V AC    50Hz/60Hz
Output Voltage	: 24V AC
Display Method	: LED
Temperature Range	: 80°C to 480°C (176°F to 896°F)
Temperature Offset Range	: ±50°C (±90°F)
Temperature Stability	: ±2°C at idle temperature
Tip to Ground Resistance	: <math><2\Omega</math>
Tip to Ground Potential	: <math><2\text{mV}</math>
Temperature Accuracy	: ±15°C
Temperature Adjustment	: Knob control
Heating Element	: Four-core PTC heater
Soldering Tip	: T900-B
Dimensions	: 20 × 18 × 12.5cm
Net weight	: 0.7kg

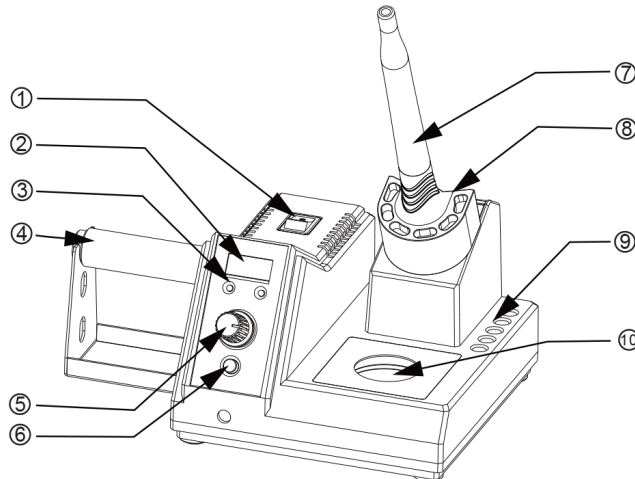
# Digital Soldering Station multicomp<sup>PRO</sup>

## Applicable

- Audio equipment
- Hobby models
- Small appliances
- Home electronics
- Crafts
- Jewelry

## Appearance and Control Panel

- ① power button
- ② Nixie tube display
- ③ Indicate light for temperature unit
- ④ Soldering wire holder
- ⑤ Temperature adjustable knob button
- ⑥ Temperature unit switch / temperature lock
- ⑦ Soldering handle
- ⑧ Soldering stand
- ⑨ Soldering tip slot
- ⑩ Tip cleaner location



## Soldering Tips are Used with:

Description	Part Number
Tip, Soldering, Chisel, 0.8mm	21-10140
Tip, Soldering, Conical, 0.5mm	21-10148
Tip, Soldering, Chisel, 2.4mm	21-10146
Soldering Tip, 160 Deg. Bent, 12mm	MP001717
Soldering Tip, 45 Deg. Conical, 0.5mm × 15mm	MP001712
Soldering Tip, 45 Deg. Conical, 0.8mm × 17mm	MP001713
Soldering Tip, 60 Deg. Spoon, 1mm × 15mm	MP001714
Soldering Tip, Chisel, 3.2mm × 17mm	MP001711
Soldering Tip, 45 Deg. Chisel, 5mm × 15mm	MP001718
Tip, Soldering, Chisel, 1.2mm	21-10142

# Digital Soldering Station **multicomp**PRO

Description	Part Number
Tip, Soldering, Chisel, 1.6mm	21-10144
Tip, Soldering, Angled Chisel, 2mm	21-10152
Tip, Soldering, Conical, 0.2mm	21-10150
Tip, Soldering Iron, Chisel, 0.8mm, Pk10	21-10140
Tip, Conical, 0.2mm, Pk10	21-10150
Soldering Tip, 45 Deg. Knife, 14mm	MP001719
Soldering Tip, 45 Deg. Knife, 5mm × 15mm	MP001720
Soldering Tip, Conical, 0.2mm × 13mm	MP001715
Soldering Tip, Conical, 0.2mm × 14mm	MP001716
Tip, Soldering, Angled Chisel, 3mm	21-10154
Tip, Conical, Micro, 0.2mm, Pk10	21-10158
Tip, Chisel, 2.4mm, Pk10	21-10146
Tip, Chisel, 1.2mm, Pk10	21-10142
Tip, Chisel, 1.6mm, Pk10	21-10144
Tip, Chisel, Angled, 4.0mm, Pk10	21-10156
Tip, Soldering, Micro Conical, 0.2mm	21-10158
Tip, Soldering, Angled Chisel, 4mm	21-10156
Tip, Chisel, Angled, 3.0mm, Pk10	21-10154
Tip, Conical, 0.5mm, Pk10	21-10148
Tip, Chisel, Angled, 2.0mm, Pk10	21-10152

## Part Number Table

Description	Part Number
Digital Soldering Station, 80W, 110/240 V AC, EU Plug	MP740893 EU
Digital Soldering Station, 80W, 110/240 V AC, UK Plug	MP740893 UK
Replacement Soldering Iron, 230V	MP740894
Replacement Four-core PTC heater	MP740895

**Important Notice :** This data sheet and its contents (the "Information") belong to the members of the AVNET group of companies (the "Group") or are licensed to it. No licence is granted for the use of it other than for information purposes in connection with the products to which it relates. No licence of any intellectual property rights is granted. The Information is subject to change without notice and replaces all data sheets previously supplied. The Information supplied is believed to be accurate but the Group assumes no responsibility for its accuracy or completeness, any error in or omission from it or for any use made of it. Users of this data sheet should check for themselves the Information and the suitability of the products for their purpose and not make any assumptions based on information included or omitted. Liability for loss or damage resulting from any reliance on the Information or use of it (including liability resulting from negligence or where the Group was aware of the possibility of such loss or damage arising) is excluded. This will not operate to limit or restrict the Group's liability for death or personal injury resulting from its negligence. Multicomp Pro is the registered trademark of Premier Farnell Limited 2019.

Newark.com/multicomp-pro  
 Farnell.com/multicomp-pro  
 sg.element14.com/b/multicomp-pro

**multicomp**PRO