



- ▶ **Hall Effect non-contact technology**
- ▶ **Long life - extremely robust**
- ▶ **Programmable angles from 30° up to 360°**
- ▶ **IP68 protection**
- ▶ **Selectable and customisable mounting options**
- ▶ **Redundant output**

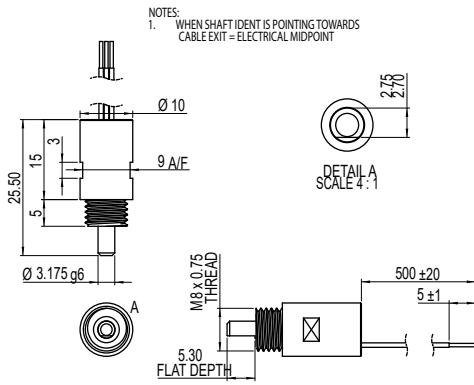
The Euro-CMRT angle sensor is specifically aimed at arduous high-duty cycle position feedback applications where miniaturisation is a key factor. With programmable angle selection, this compact and contactless IP68 rated Hall Effect sensor features a high grade aluminium housing and a stainless steel shaft which together with the M8 mounting thread are all customisable to suit the customer's application.

Specifications	
Mechanical	
Typical Life Cycle	>50 million movements (restriction by mechanics)
Torque	< 0.8 Ncm
Measuring range	360° redundant, signal 1 cw, signal 2 ccw
Housing	High grade anodised aluminium
Shaft	Stainless steel 316
Bearing	Phosphor bronze sleeve
Recommended Mounting Nut Torque	5- 6.2 Nm (may differ dependant on application)
Environmental	
Operating temperature	-40°C to +125°C (Short term 150°C)
Vibration	20...2000 Hz; Amax = 0.75 mm; amax = 31.4 g to IEC 60068-2-6
IP rating	IP68
Cable type	Raychem Spec 55, 24 AWG
Electrical	
Supply Voltage	5V +/- 0.5V
Output signal	Ratiometric 5%...95% of supply (+/-25mv of specified electrical output range for both start & end voltage) PWM frequency 100Hz... 1000Hz, 1000Hz default, duty cycle between 5%-95%
Independant linearity	+/- 0.5% of each signal range
Isolation resistance	200 MΩ (500 VDC, 1 bar, 2s)
Electrical connection	See ordering code/wiring diagram
Cable type	Raychem Spec 55, 24 AWG

# EURO-CMRT PROGRAMMABLE SENSOR CUSTOM MICRO ROTARY THREADED

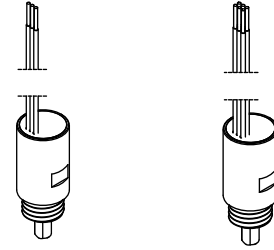


## Dimensions in mm



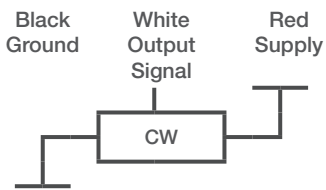
Single Channel

Dual Channel

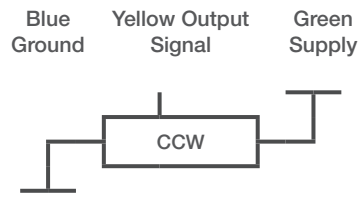


## Wiring

CHANNEL 1 CW



CHANNEL 2 CCW

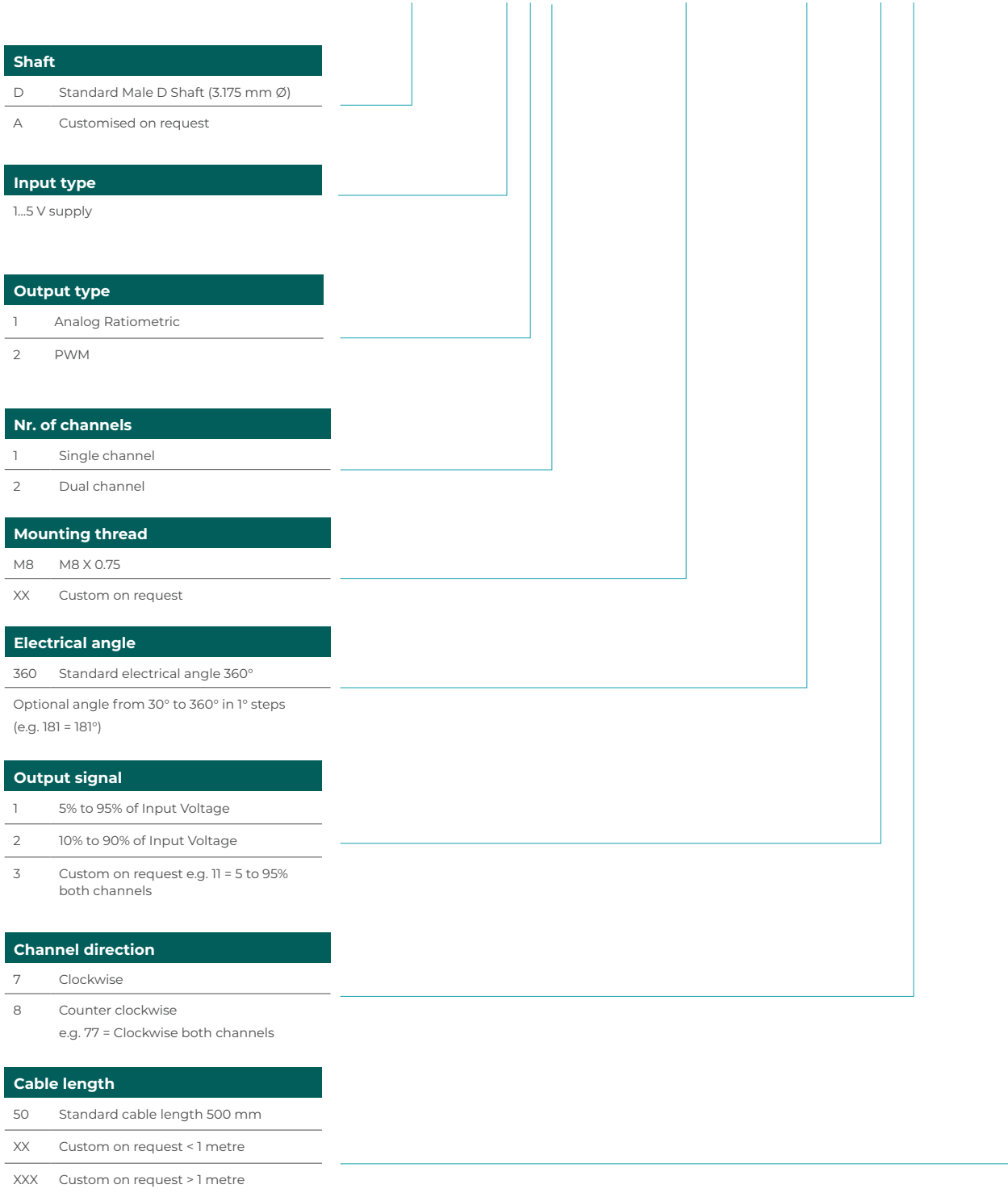


Some Inputs to Outputs are not configurable please contact [sales@variohm.com](mailto:sales@variohm.com) for more info



## Ordering information

**Sample Code** Euro-CMRT - D - 1 1 2 - 10M8 - 360 - 11 78 - 50



(Standard cable Raychem Spec 55, 24 AWG;  
Others available on request)

The following sensor models are available as standard products:

94483 Euro-CMRT-D-112-10M8-360-1178-50

95292 Euro-CMRT-D-112-10M8-120-1178-50

94575 Euro-CMRT-D-112-10M8-060-1178-50

94558 Euro-CMRT-D-111-10M8-360-17-50

Some Inputs to Outputs are not configurable please contact sales@variohm.com for more info