

- ▶ Programmable Sensor with angles from 30° to 360°
- ▶ 6 mm D-Shaft Rotary Sensor
- ▶ Hall Effect non-contact technology
- ▶ Long life - extremely robust
- ▶ IP68 protection
- ▶ Selectable mounting options
- ▶ Redundant output

Based on the well proven Euro-XPD angle sensor, this miniaturised variant boasts the same features in a 30 mm outer diameter package. With programmable angle selection and redundant output, this extremely compact and contactless Hall-Effect sensor features IP68 sealing and will suit arduous, high-duty cycle position feedback applications in all industries.

## Specifications

### Mechanical

Typical Life Cycle	>50 million movements (restriction by mechanics)
Torque	< 0.1 Ncm
Measuring range	360° redundant, signal 1 cw, signal 2 ccw
Housing	High grade temperature resistant plastic
D-Shaft	Nylon 66
Tightening torque	Maximum recommended tightening Torque 2Nm
Mounting	Customer to ensure correct suitability and fitment of mounting bolts
Weight	21 g

### Environmental

Operating temperature	-40° C to +125° C (Short term 150° C)
Vibration	20...2000 Hz; Amax = 0.75 mm; amax = 31.4 g to IEC 60068-2-6
IP rating	IP68 (minimum)

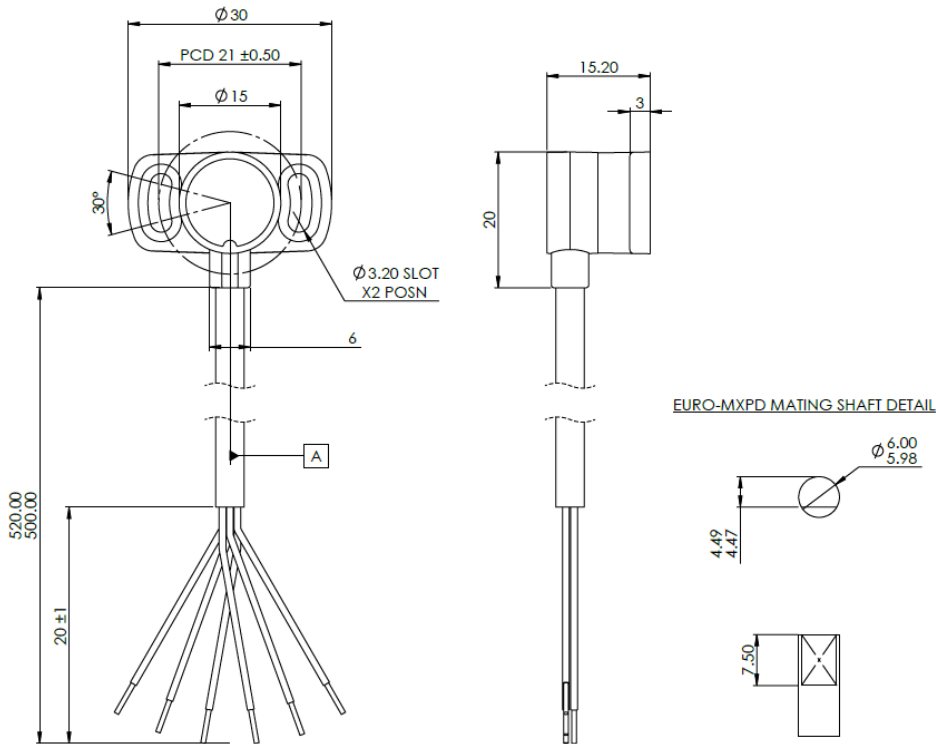
### Electrical

Supply Voltage	5V +/- 0.5V
Output signal	Ratiometric 5%...95% of supply (+/-25mv of specified electrical output range for both start and end voltage). PWM Frequency 100 Hz ... 1000 Hz default, duty cycle between 5% - 95%
Sample Rate (Fast Mode)	5KHz
System Propagation Delay (Fast Mode)	600µs
Independent linearity	+/- 0.5% of each signal range
Isolation resistance	200 MΩ (500 VDC, 1 bar, 2s)
Electrical connection	See ordering code/wiring diagram
Cable type	24 AWG PFA Insulated cable sheathed in a PUR Fuel/Diesel resistant jacket

# EURO-MXPD PROGRAMMABLE SENSOR MICRO D-SHAFT SENSOR



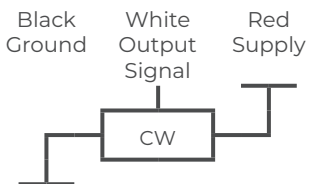
## Dimensions in mm



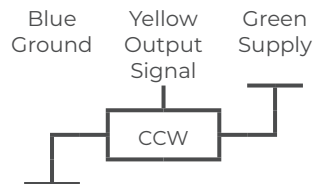
- NOTES:  
 1. DATUM A DENOTES MIDPOINT OF ELECTRICAL ANGLE (AS STANDARD).  
 2. SENSOR COMES WITH 5mm TINNED CONDUCTORS.

## Wiring

### CHANNEL 1 CW



### CHANNEL 2 CCW



# EURO-MXPD PROGRAMMABLE SENSOR MICRO D-SHAFT SENSOR



## Ordering information

(Please use the characters in the chart below to create your product code)

**Sample Code** Euro-MXPD - 1 1 1 - 1521 - 360 - 11 - 78 - 50

<b>Series</b>	Euro-MXPD
<b>Input type</b>	1 5V supply
<b>Output type</b>	1 Analog Ratiometric 2 PWM
<b>No. of channels</b>	1 Single channel 2 Dual channel
<b>Mounting flange PCD</b>	21 21 mm PCD XX Custom on request
<b>Electrical angle</b>	360 Standard electrical angle 360° Optional Angle from 30° to 360° in 1° steps (e.g. 181 = 181°)
<b>Output signal</b>	1 5% to 95% of input Voltage 2 10% to 90% of input Voltage 3 Custom on request e.g. 11 = 5 to 95% both channels
<b>Channel direction</b>	7 Clockwise 8 Counter clockwise e.g. 77 = Clockwise both channels
<b>Cable length</b>	50 Standard Cable Length 500 mm XX Custom on request < 1 metre XXX Custom on request > 1 metre

# EURO-MXPD PROGRAMMABLE SENSOR MICRO D-SHAFT SENSOR



The following sensor models are available as standard products:

95526 Euro-MXPD-112-1521-360-1178-50

95527 Euro-MXPD-112-1521-120-1178-50