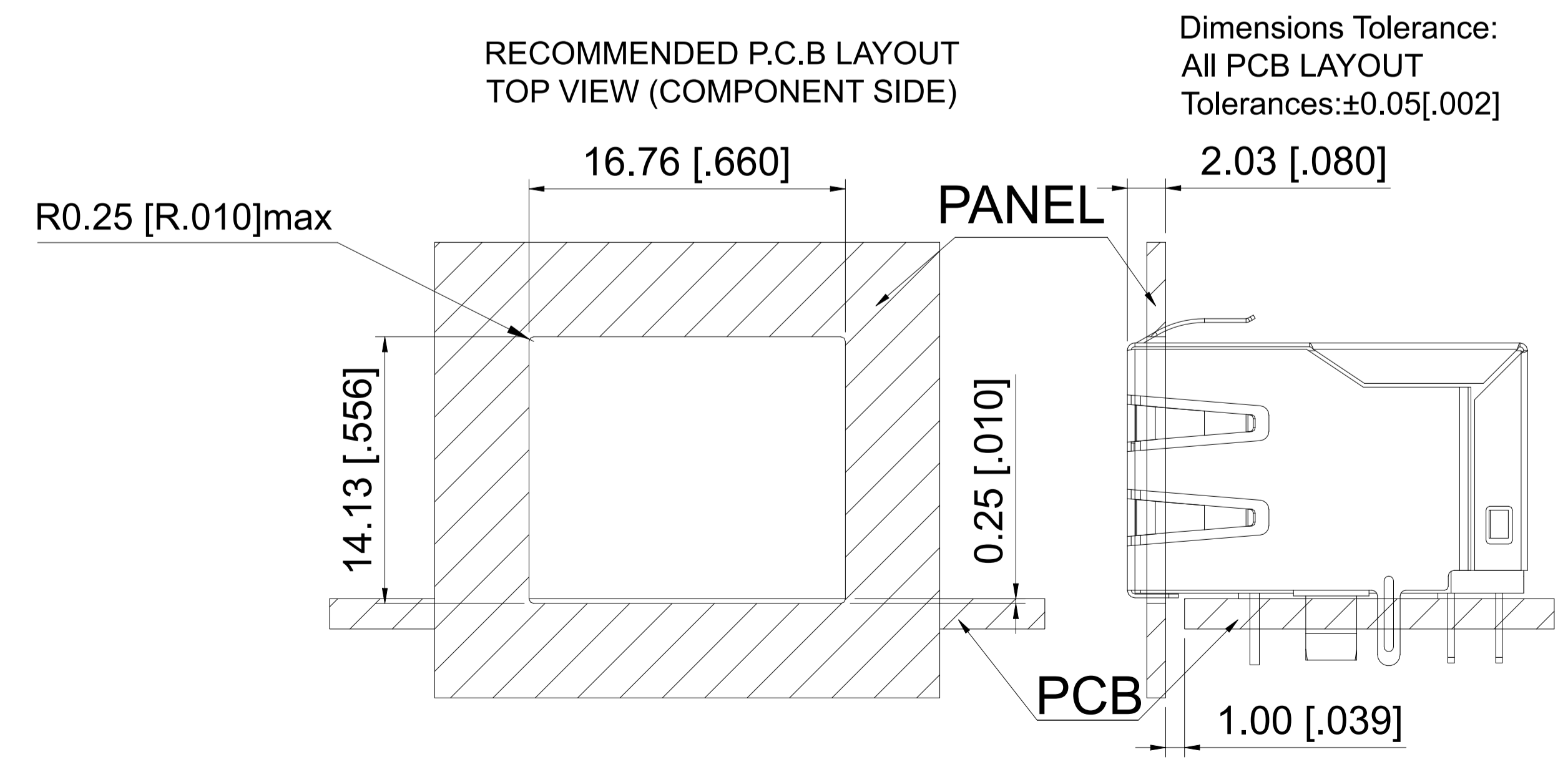
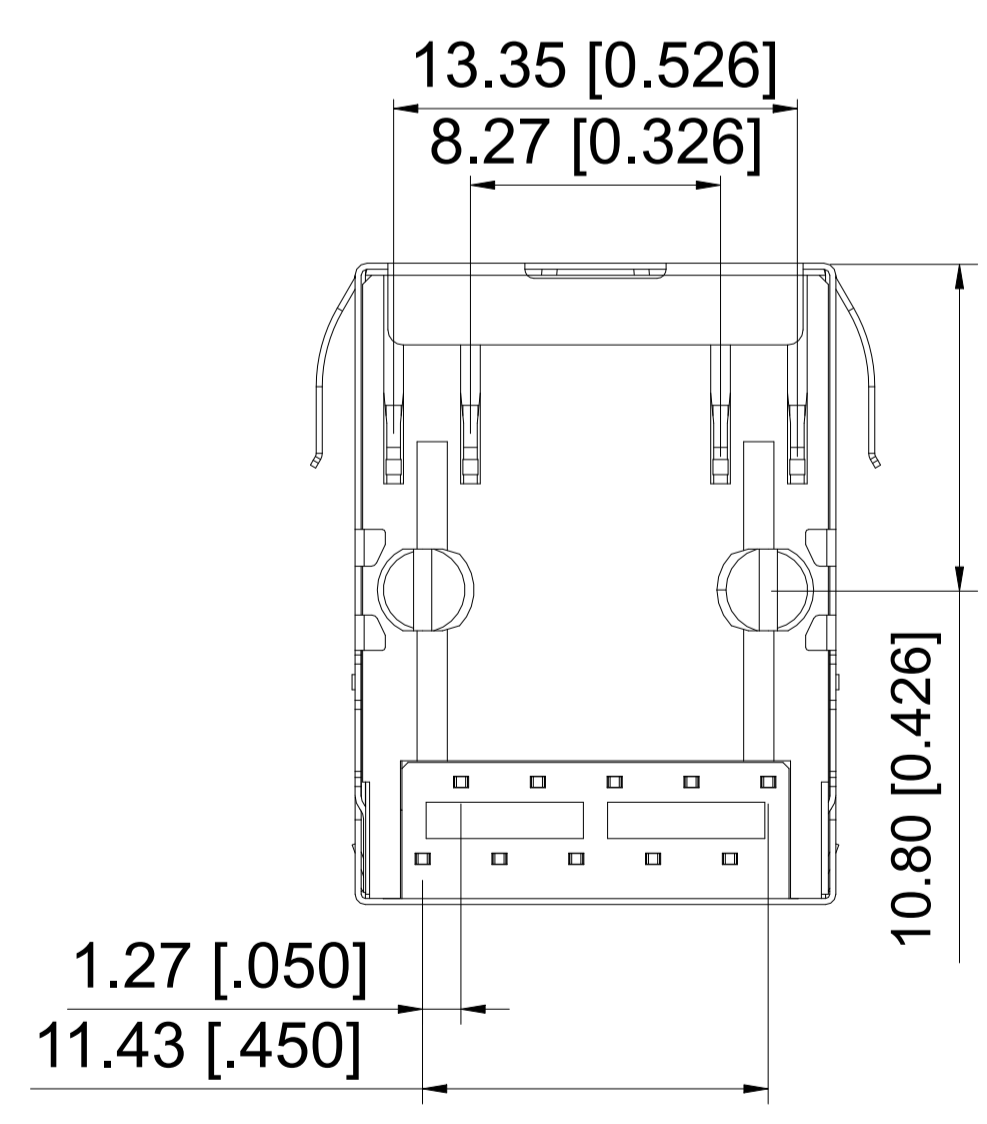
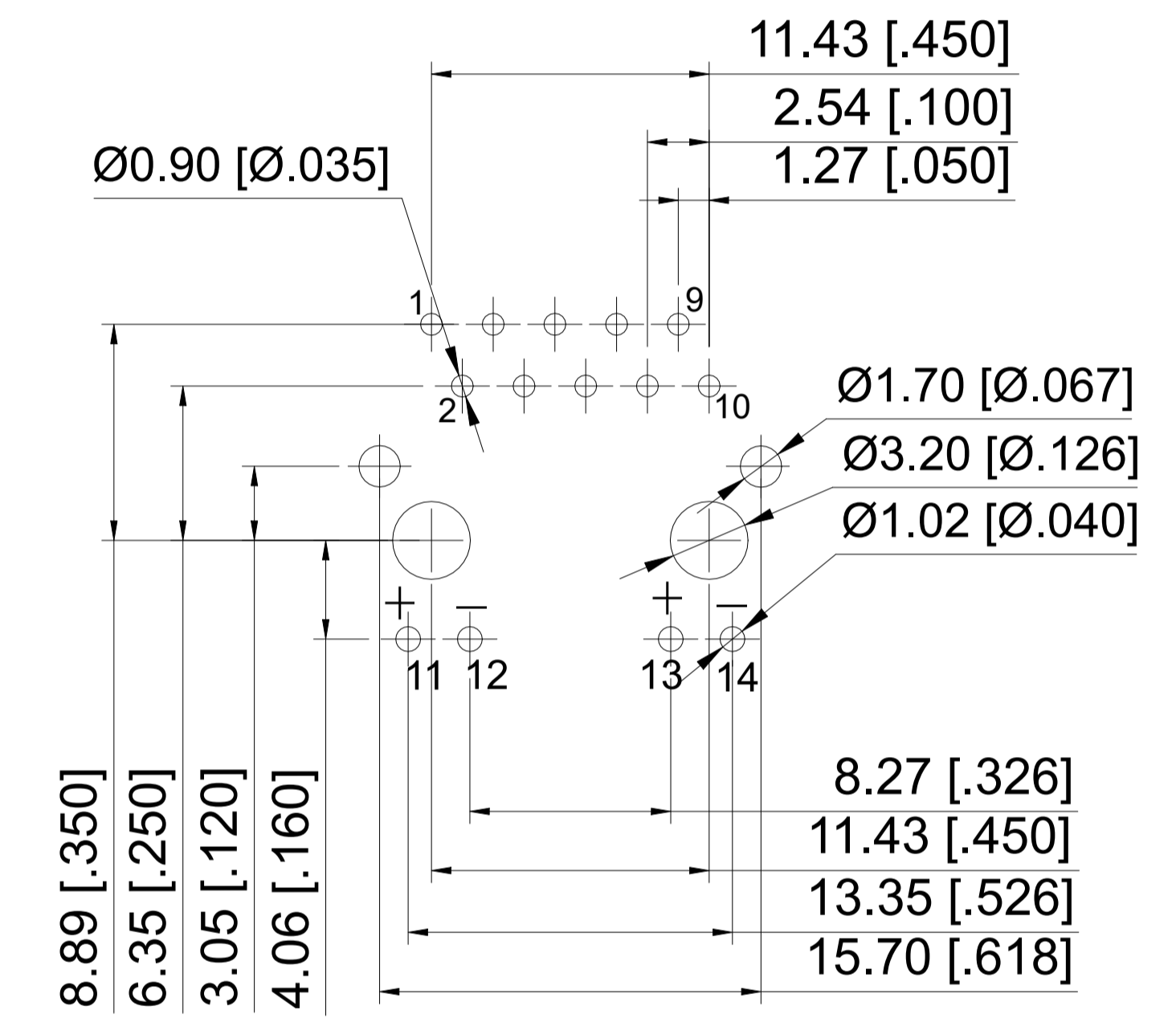
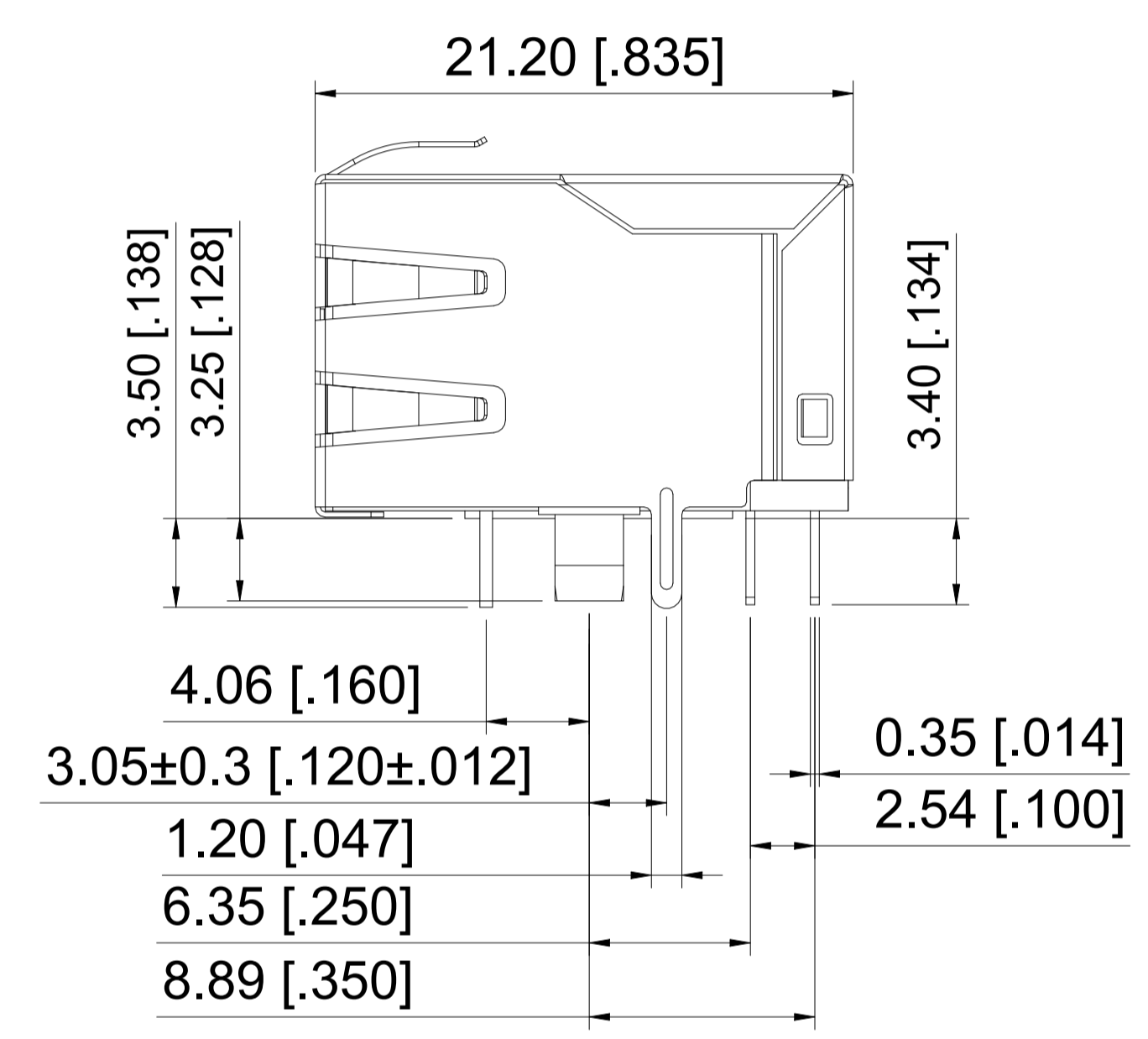
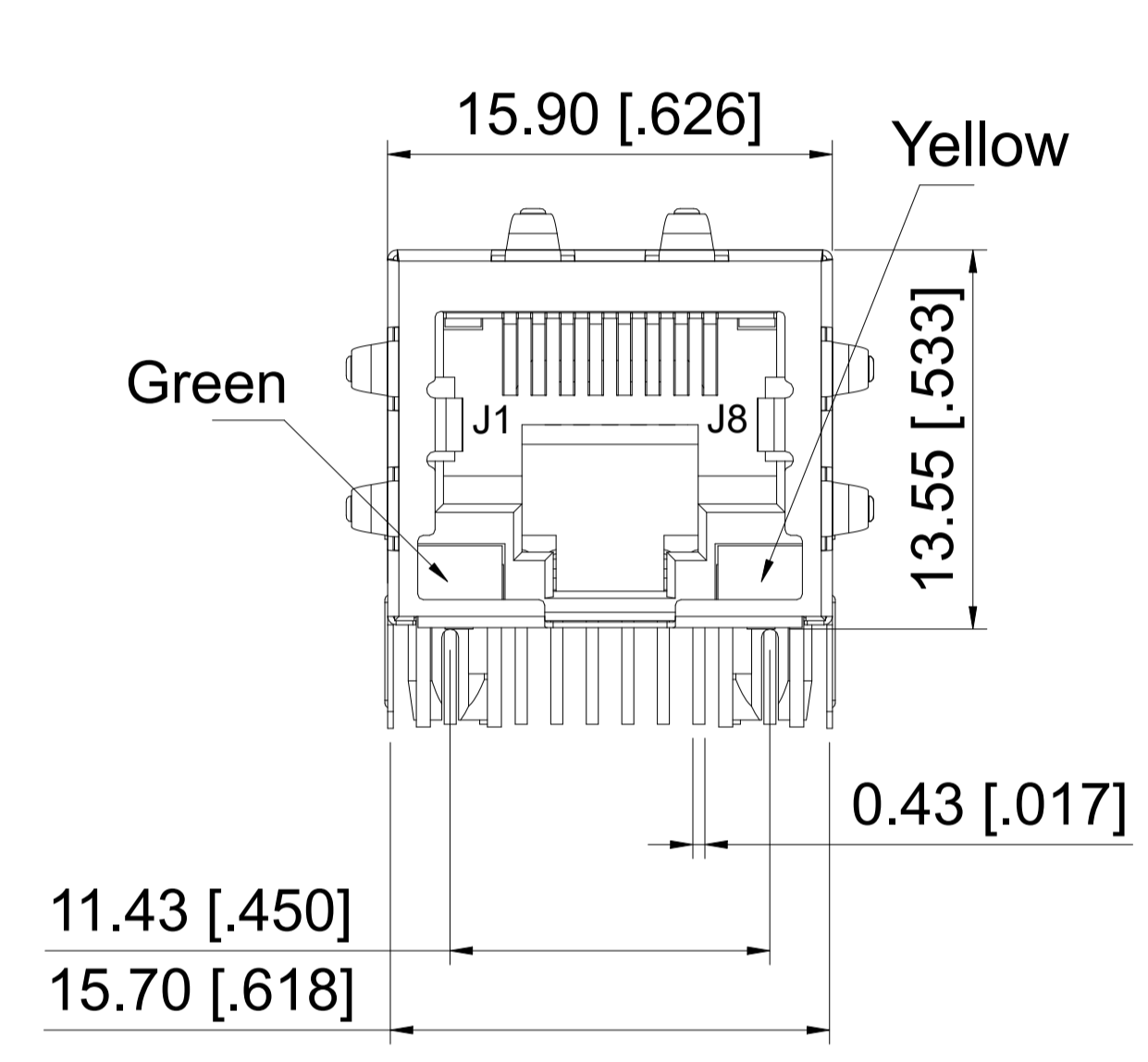
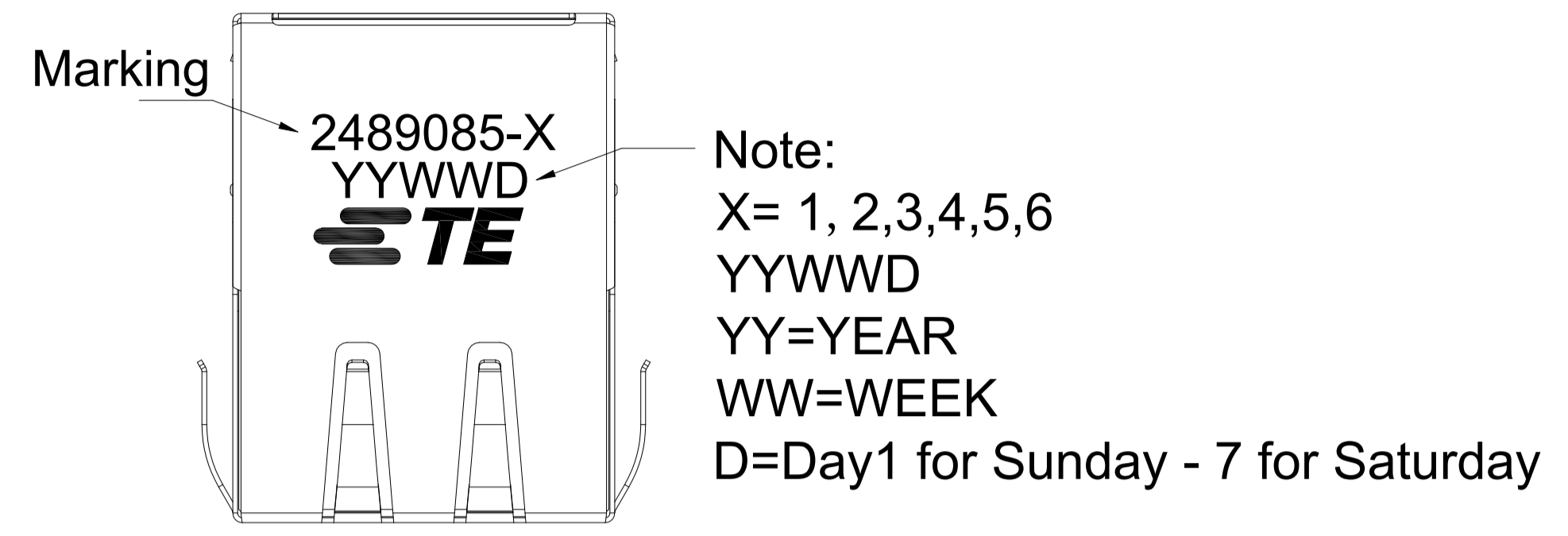


| REVISIONS | | | | |
|-----------|-----------|---------------------------|----|-------|
| REV | DATE | DESCRIPTION | BY | APP'D |
| A1 | 16SEP2024 | ADDED TE LOGO, PN & YYWWD | TR | RCC |

NOTES:

- 1.HOUSING MATERIAL:GLASS FILLED PA46(BLACK) UL94V-0(ROHS)
- 2.CONTACT: PHOSPHOR BRONZE,50 MICRINCHES MIN. OVERALL DUCTILE NICKEL UNDERPLATE WITH SELECTED (REFER P/N CHART) GOLD AT MATING INTERFACE
- 3.SHIELD:0.2mm THICKNESS WITH BRASS.
- 4.JACK CAVITY CONFORMS TO FCC RULES AND REGULATIONS PART 68 SUBPART F
- 5.THE PART IS RECOMMENDED FOR WAVE SOLDERING PROCESS PEAK SOLDERING TEMPERATURE IS 260°C MAX,10 SECS MAX.
- 6.OPERATING TEMPERATURE:-40°C TO +85°C.
STORAGE TEMPERATURE:-40°C TO +85°C.

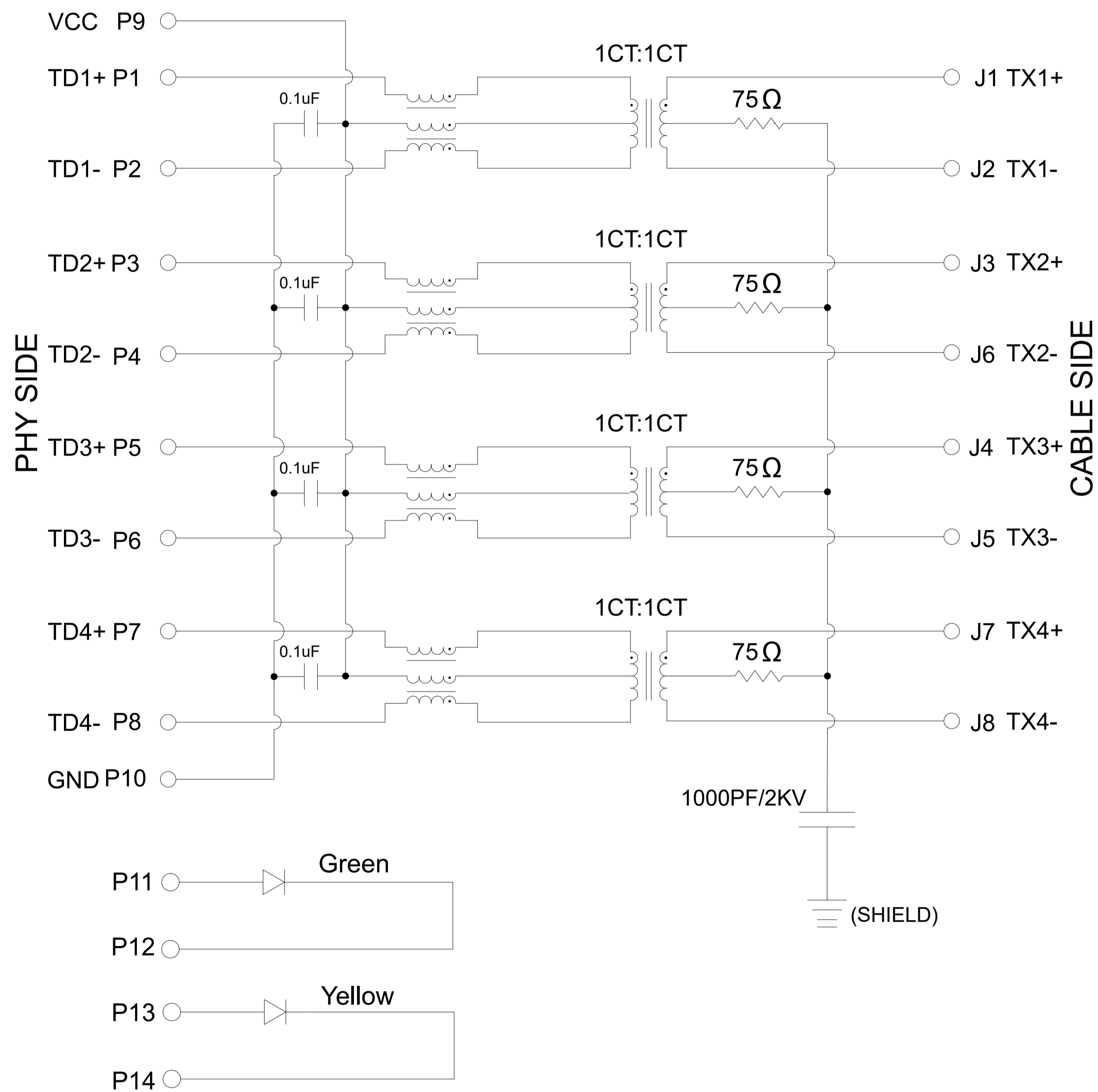


| FINISH | PART NUMBER |
|-------------------------------|--------------------|
| GF | 2489085-6 |
| 0.0762 µm [3µ"] | 2489085-5 |
| 0.1524 µm [6µ"] | 2489085-4 |
| 0.381 µm [15µ"] | 2489085-3 |
| 0.762 µm [30µ"] | 2489085-2 |
| 1.27 µm [50µ"] | 2489085-1 |
| GOLD PLATING THICKNESS | PART NUMBER |

| | | | | | |
|--|--------|--|--|------------------------------------|--|
| THIS DRAWING IS A CONTROLLED DOCUMENT. | | DIN 12JUN2024 | | RAMESH KIVADER | |
| DIMENSIONS: mm [INCHES] | | TOLERANCES UNLESS OTHERWISE SPECIFIED: | | APPROVED: RAMESH KIVADER 12JUN2024 | |
| 0. PLC | ± 0.10 | NAME: RAMESH KIVADER | | PRODUCT SPEC: 108-161443 | |
| 1. PLC | ± 0.25 | NAME: FPS SATHISH | | APPLICATION SPEC: 114-161076 | |
| 2. PLC | ± 0.25 | SIZE: A1 | | CAGE CODE: 00779 | |
| 3. PLC | ± 0.25 | DRAWING NO: 2489085 | | RESTRICTED TO: - | |
| 4. PLC | ± 0.25 | WEIGHT: 0 | | SCALE: 1:1 | |
| ANGLES | ± 2 | CUSTOMER DRAWING | | SHEET 1 OF 2 | |

| REVISIONS | | | | |
|-----------|------|-------------|----|-------|
| REV | DATE | DESCRIPTION | BY | APP'D |
| - | - | SEE SHEET 1 | - | - |

Schematic



| PARAMETER | SPECIFICATIONS |
|--|--|
| OPERATING TEMPERATURE | -40°C To +85°C |
| URNS RATIO | 1:1±2% |
| OPEN CIRCUIT INDUCTANCE(OCL) | 180uH MIN@100KHz/100mV With 8mA DC Bias For(CHANNEL 1,2,3,4) |
| INSERTION LOSS(IL) | -1.0dB MAX@1MHz-50MHz; -1.5dB MAX@50MHz-125MHz; |
| RETURN LOSS(RL) (Z out=100 OHM) | -18dB MIN@1MHz-40MHz; -18+15LOG (f/40MHz)dB MIN@40MHz-250MHz; |
| CROSSTALK (ADJACENT CHANNELS) | -35dB MIN@1MHz-40MHz; -35+15LOG (f/40MHz)dB MIN@40MHz-125MHz; |
| COMMON MODE REJECTION RATIO(CMRR) | -30dB MIN@1MHz-200MHz; |
| COMMON TO DIFFERENTIAL MODE REJECTION(REF) | -35dB MIN@1MHz-125MHz; |
| HI-POT | 2250 VDC@60 SECONDS |

| LED SPECIFICATION | | | |
|-------------------|------------|----------------|------|
| STANDARD LED | WAVELENGTH | Forward V(max) | TYP |
| GREEN | 565nm | 2.4V | 2.2V |
| YELLOW | 590nm | 2.5V | 2.1V |

*WITH A FORWARD CURRENT OF 20mA

| | | | | | |
|--|--|--|--|---|--|
| THIS DRAWING IS A CONTROLLED DOCUMENT. | | DIM: RAMESH_KIVADER 12JUN2024 CHK: RAMESH_KIVADER 12JUN2024 APVD: PS_SATHISH 12JUN2024 PRODUCT SPEC: 108-161443 APPLICATION SPEC: 114-161076 | | STE TE Connectivity NAME: RJ45 1X1 Tab_Down/Through Hole 2.5G Base-T W/LED | |
| DIMENSIONS: mm [INCHES] TOLERANCES UNLESS OTHERWISE SPECIFIED: 0. PLC ± 0.10 1. PLC ± 0.25 2. PLC ± 0.25 3. PLC ± 0.25 4. PLC ± 0.25 ANGLES ± 0.2 | | MATERIAL: - FINISH: - WEIGHT: 0 | | SIZE: A1 CAGE CODE: 00779 DRAWING NO: C=2489085 RESTRICTED TO: - CUSTOMER DRAWING: - SCALE: 1:1 SHEET 2 OF 2 REV A1 | |