

Panasonic

(((PaPIRs)))

PIR MOTION SENSORS 2023



Special designs from Panasonic that provide high sensitivity and reliability

Pyroelectric infrared motion sensors from Panasonic for optimal usability and reliability

Panasonic develops and produces PIR motion sensors, which combine easy integration, high reliability and environment-friendly materials. The Panasonic PIR motion sensors abbreviated as PaPIRs, have different series of products, including:

EKM PaPIRs: 3rd generation



EKMB (WL) digital output for battery-operated devices (1, 2, 6 μ A)
EKMC (VZ) digital and analog output for battery-free devices (170 μ A)
 Available lens colors: white, black and pearl white

AMN NaPiOn: 2nd generation



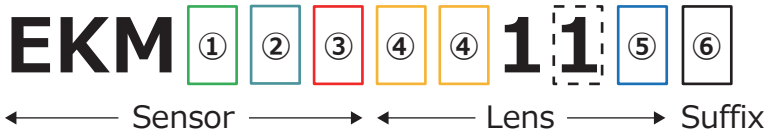
AMN3 digital output for battery-free devices (170 μ A)
 Available lens colors: white and black

CONTENT

Introduction	02	AMN - 10m Detection Type (Long Distance)	17
Ordering information	03	EKM - Ultra Slight Motion Detection Type	18
Design features	04	EKM - Slight Motion Detection Type	19
Search by Lens	06	EKM - Standard and Slight Motion Detection Type	20
Product matrix	08	AMN - Slight Motion Detection Type	21
EKM - Standard Detection Type	10	EKM - Wall Installation Type	22
EKM - Low Profile Type	11	EKM - Horizontally Wide Detection Type	23
EKM - Flat Square Type	12	EKM - Wide Detection Type	24
AMN - Standard Detection Type	13	AMN - Spot Detection Type	25
EKM - Long Distance Detection Type	14	EKM - Characteristics	26
EKM - High Density Long Distance Detection Type	15	AMN - Characteristics	28
EKM - NEW Ultra Wide & Long Distance Detection Type ...	16	Technical information	29
		Cautions for use	30

Ordering information

EKM



● Sensor type



B11, B12, B13, B43 : WL Series
C16, C26, C46 : VZ Series

● Lens type



01 : Standard

03 : Long Distance

04 : Wall Installation

05 : Horizontally Wide

06 : High Density Long Distance

07 : Low Profile

08 : Wide Detection

09 : Ultra Slight Motion

10 : Flat Square

11 : Ultra Wide & Long Distance

91 : Slight Motion

93 : Standard & Slight Motion

● Lens color



1 : White

2 : Black

3 : Pearl white

● Suffix



K : The following products have "K" at the end
 EKMB13, EKMC26

● Lensless

EKMB1100100, EKMB1200100, EKMB1300100K
 EKMC1600100, EKMC2600100K

AMN



● Lens type



1 : Standard

2 : Slight Motion

3 : Spot

4 : 10m

● Lens color



1 : Black

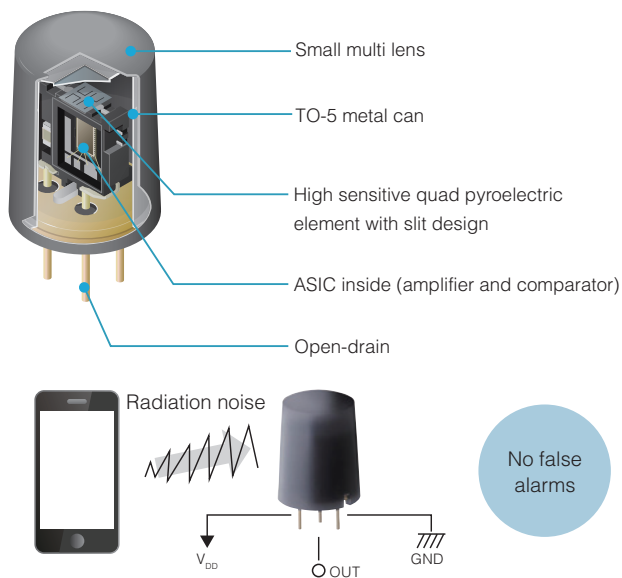
2 : White

Design features

The PIR motion sensors from Panasonic offer crucial advantages over conventional PIR motion sensors. The unique design concept (explained below) ranges from the production of the pyroelectric sensing devices to the internal signal processing, thus guaranteeing an optimal detection capability and high reliability.

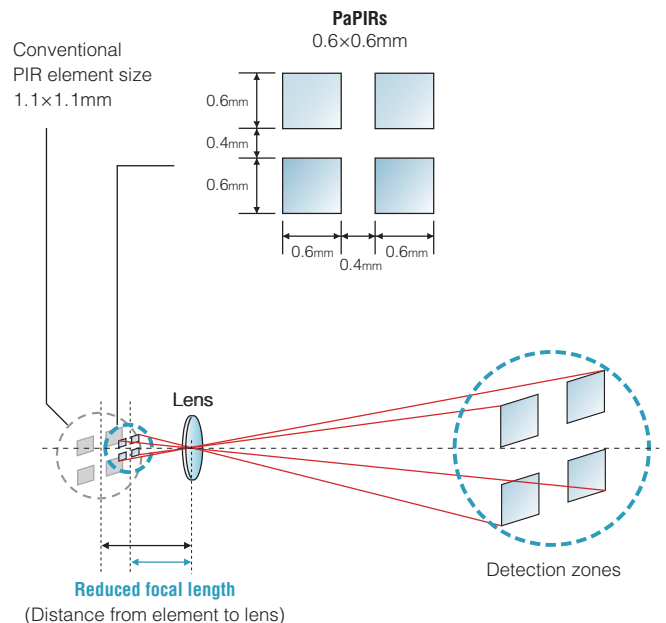
Easy design-in

The integrated amplifier/comparator circuit inside a TO-5 metal can (digital type) prevents interferences caused by electromagnetic fields, such as those generated by cell phones and wireless devices. A special differential circuit design is introduced for the **EKMB 6 μ A** type for applications where a high noise resistance is required (up to GHz range).



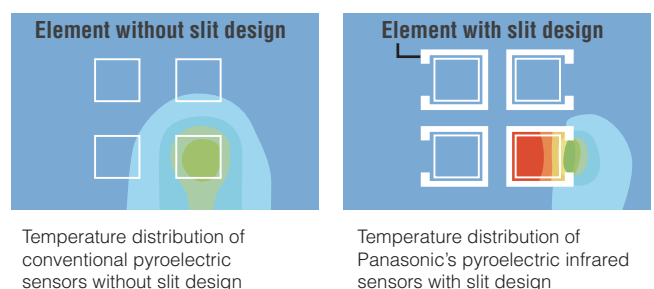
Small and optimal lens design

Thanks to the special design of the small pyroelectric elements, it is possible to use a smaller lens size while keeping the same detection area and distance compared to conventional sensors.



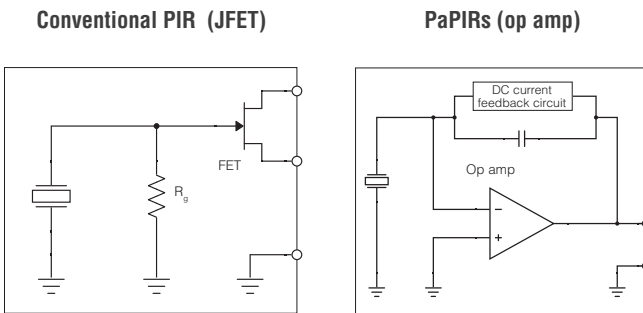
Best in class sensitivity

The sensitivity has been significantly improved thanks to a unique slit design of the pyroelectric elements. The separated sensing areas prevent thermal crosstalk between the single sensing elements. Therefore, reliable detection is possible even if the temperature difference between the background (e.g. floor/wall) and the target object (human) is small. (e.g. $\Delta T = 4^{\circ}\text{C}$)

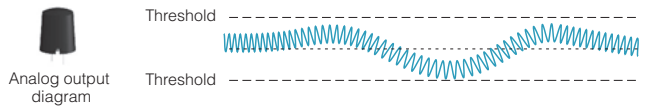


Best in class signal-to-noise ratio

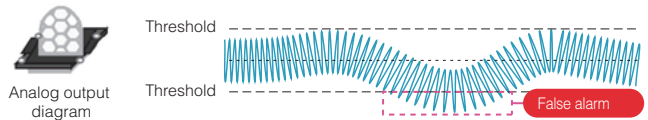
Improved signal-to-noise ratio thanks to a special I/V circuit which is used for converting a current signal from the pyroelectric element to voltage. Panasonic PIR motion sensors perform by the feedback capacitor and the operational amplifier, different from the conventional FET-type, thereby decreasing the probability of false alarms due to temperature fluctuation.



PaPIRs: High signal-to-noise ratio



Conventional types: Low signal-to-noise ratio



Lead-free pyroelectric element

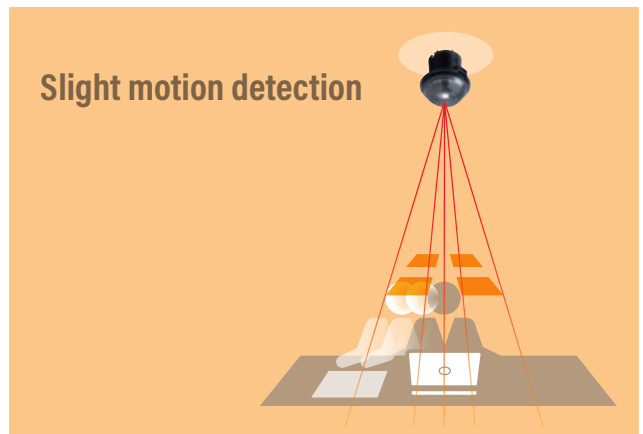
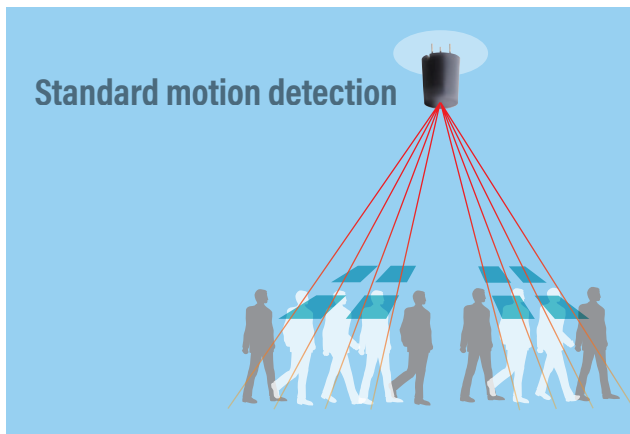
A ferroelectric Lithiumtantalate (LiTaO_3) single lead-free crystal is used as the pyroelectric element for Panasonic PIR motion sensors. Conventional PIR motion sensors normally use a ceramic base material (e.g. PZT) for the pyroelectric element, which contains lead in many cases.

Low current consumption EKMB (WL)

Reduction of current consumption (1, 2 or $6\mu\text{A}$) thanks to the special circuit design technology allows battery life to be extended for battery-driven products.

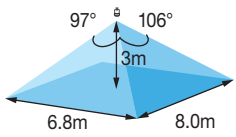
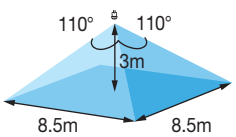
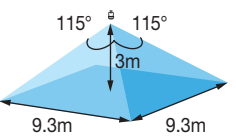
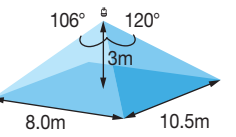












Detection principle

Difference of Standard & Slight motion by lens design



(Specified detection conditions)

Standard Detection Types

	Standard	Low Profile	Flat Square	AMN series Standard
Lens color	White / Black / Pearl white	White / Black / Pearl white	White / Black / Pearl white	White / Black
Detection area coverage				
Reference page	P. 10	P. 11	P. 12	P. 13
Typical application	 Base lighting  Digital signage  IP cameras	 Lighting controls  Digital signage  IP cameras	 Air purifier  IoT module  Thermostats	 Base lighting  Ceiling air conditioners  Heaters

Long Distance Detection Types

	Long Distance	High Density Long Distance	Ultra Wide & Long Distance	AMN series 10m Detection
Lens color	White / Black / Pearl white	White / Black / Pearl white	White / Black / Pearl white	White / Black
Detection area coverage				
Reference page	P. 14	P. 15	P. 16	P. 17
Typical application	 Street lighting  High-bay lighting  Ceiling air conditioners	 High-bay lighting  Wall air conditioners  IP cameras	 Street lighting  High-bay lighting  IP cameras	 Lighting controls  Air purifier  Heaters

Slight Motion Detection Types

	Ultra Slight	Slight Motion	Standard & Slight	AMN series Slight Motion
Lens color	White / Black / Pearl white	White / Black / Pearl white	White / Black / Pearl white	White / Black
Detection area coverage	<p>107° 3m ø8.0m</p>	<p>104° 3m ø7.7m</p>	<p>91° 44° 44° 3m ø6.1m Slight Motion Standard Motion</p>	<p>106° 3m ø8.0m</p>
Reference page	P. 18	P. 19	P. 20	P. 21
Typical application	 Lighting controls Wall air conditioners IP cameras	 Lighting controls Wall air conditioners IP cameras	 Lighting controls Wall air conditioners IP cameras	 Base lighting Ceiling air conditioners Heaters

Specific Area Detection Types

	Wall Installation	Horizontally Wide Detection	Wide Detection	AMN series Spot Detection
Lens color	White / Black / Pearl white	White / Black / Pearl white	White / Black / Pearl white	White / Black
Detection area coverage	<p>112° 56° 3m 12m 6m</p>	<p>122° 35° 150° 5m 5m</p>	<p>130° 3m ø13.0m</p>	<p>57° 42° 5m 5.4m 3.8m</p>
Reference page	P. 22	P. 23	P. 24	P. 25
Typical application	 IP cameras IoT module Wall air conditioners	 IoT module Digital signage Thermostats	 Lighting controls Wall air conditioners IP cameras	 Digital signage Sterilization stand IP cameras

Lens categories			Sensor			Part number			
			Output	Sensitivity	Current consumption	White	Black	Pearl white	
Standard Detection Types	Standard		Digital	Standard	1µA	EKMB110111	EKMB110112	EKMB110113	
					2µA	EKMB120111	EKMB120112	EKMB120113	
					6µA	EKMB130111K	EKMB130112K	EKMB130113K	
					170µA	EKMC160111	EKMC160112	EKMC160113	
	Low Profile		Digital	Standard	1µA	EKMB110711	EKMB110712	EKMB110713	
					2µA	EKMB120711	EKMB120712	EKMB120713	
					6µA	EKMB130711K	EKMB130712K	EKMB130713K	
					170µA	EKMC160711	EKMC160712	EKMC160713	
	Flat Square		Digital	Standard	1µA	EKMB110111	EKMB110112	EKMB110113	
					2µA	EKMB120111	EKMB120112	EKMB120113	
					6µA	EKMB130111K	EKMB130112K	EKMB130113K	
					170µA	EKMC160111	EKMC160112	EKMC160113	
	AMN series Standard		Digital	Standard	170µA	AMN3112	AMN3111	—	
					Long Distance Detection Types	Long Distance		Digital	Standard
	2µA	EKMB120311	EKMB120312	EKMB120313					
	6µA	EKMB130311K	EKMB130312K	EKMB130313K					
170µA	EKMC160311	EKMC160312	EKMC160313						
High Density Long Distance		Digital	Standard	1µA		EKMB110611	EKMB110612	EKMB110613	
				2µA		EKMB120611	EKMB120612	EKMB120613	
				6µA		EKMB130611K	EKMB130612K	EKMB130613K	
				170µA		EKMC160611	EKMC160612	EKMC160613	
Ultra Wide & Long Distance		Digital	Standard	1µA		EKMB111111	EKMB111112	EKMB111113	
				2µA		EKMB121111	EKMB121112	EKMB121113	
				6µA		EKMB131111K	EKMB131112K	EKMB131113K	
				170µA		EKMC161111	EKMC161112	EKMC161113	
AMN series 10m Detection		Digital	Standard	170µA		EKMB431111K	EKMB431112K	EKMB431113K	
				170µA		EKMC461111K	EKMC461112K	EKMC461113K	
				170µA		EKMC261111K	EKMC261112K	EKMC261113K	
				170µA		EKMC261111K	EKMC261112K	EKMC261113K	
Slight Motion Detection Types	Ultra Slight		Digital	Standard	1µA	EKMB110911	EKMB110912	EKMB110913	
					2µA	EKMB120911	EKMB120912	EKMB120913	
					6µA	EKMB130911K	EKMB130912K	EKMB130913K	
					170µA	EKMC160911	EKMC160912	EKMC160913	
	Slight Motion		Digital	Standard	1µA	EKMB119111	EKMB119112	EKMB119113	
					2µA	EKMB129111	EKMB129112	EKMB129113	
					6µA	EKMB139111K	EKMB139112K	EKMB139113K	
					170µA	EKMC169111	EKMC169112	EKMC169113	
	Standard and Slight		Digital	Standard	1µA	EKMB119311	EKMB119312	EKMB119313	
					2µA	EKMB129311	EKMB129312	EKMB129313	
					6µA	EKMB139311K	EKMB139312K	EKMB139313K	
					170µA	EKMC169311	EKMC169312	EKMC169313	
	AMN series Slight Motion		Digital	Standard	170µA	EKMC269311K	EKMC269312K	EKMC269313K	
					170µA	AMN3212	AMN3211	—	
	Specific Area Detection Types	Wall Installation		Digital	Standard	1µA	EKMB110411	EKMB110412	EKMB110413
						2µA	EKMB120411	EKMB120412	EKMB120413
6µA						EKMB130411K	EKMB130412K	EKMB130413K	
170µA						EKMC160411	EKMC160412	EKMC160413	
Horizontally Wide Detection			Digital	Standard	1µA	EKMB110511	EKMB110512	EKMB110513	
					2µA	EKMB120511	EKMB120512	EKMB120513	
					6µA	EKMB130511K	EKMB130512K	EKMB130513K	
					170µA	EKMC160511	EKMC160512	EKMC160513	
Wide Detection			Digital	Standard	1µA	EKMB110811	EKMB110812	EKMB110813	
					2µA	EKMB120811	EKMB120812	EKMB120813	
					6µA	EKMB130811K	EKMB130812K	EKMB130813K	
					170µA	EKMC160811	EKMC160812	EKMC160813	
AMN series Spot Detection			Digital	Standard	170µA	EKMC260811K	EKMC260812K	EKMC260813K	
					170µA	AMN3312	AMN3311	—	

*Please contact us if a higher or a lower sensitivity is required.
 *All lens can be adopted with any applications.

Reference information

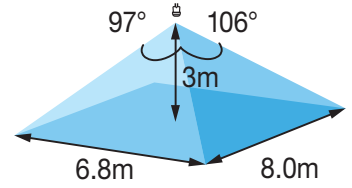
FOV (H×V)	Detection zones	Detection distance	Recommendation applications						
106°×97°	64	5.0m	Lighting controls	Lighting controls	Base lighting	Digital signage	IoT module	IP cameras	P.10
110°×110°	32	5.0m	Lighting controls	Digital signage	IoT module	AI speaker	Thermostats	IP cameras	P.11
115°×115°	40	5.0m	Air purifier	Digital signage	IoT module	AI speaker	Thermostats	Elderly care robot	P.12
120°×106°	104	5.0m	Lighting controls	Lighting controls	Base lighting	Wall air conditioners	Ceiling air conditioners	Heaters	P.13
108°×99°	92	12.0m	Lighting controls	Base lighting	Street lighting	High-bay lighting	Wall air conditioners	Ceiling air conditioners	P.14
69°×69°	128	12.0 – 14.5m	Lighting controls	Base lighting	Street lighting	High-bay lighting	Wall air conditioners	IP cameras	P.15
92°×45°	188	10.0 – 15.0m	Street lighting	High-bay lighting	IP cameras	Lighting controls	Hot desking	Base lighting	P.16
120°×107°	80	5.0 – 10.0m	Lighting controls	Lighting for walk-in closet	Air purifier	Wall air conditioners	Ceiling air conditioners	Heaters	P.17
107°×107°	192	2.5 – 4.1m 5.2 – 8.0m (for Standard motion)	Lighting controls	Lighting controls	Base lighting	Wall air conditioners	Hot desking	IP cameras	P.18
104°×104°	112	2.5 – 4.0m	Lighting controls	Lighting controls	Base lighting	Wall air conditioners	Hot desking	IP cameras	P.19
44°×44° 91°×91°	36 48	2.2 – 3.1m	Lighting controls	Lighting controls	Base lighting	Wall air conditioners	Hot desking	IP cameras	P.20
107°×106°	104	2.0 – 3.3m	Lighting controls	Lighting controls	Base lighting	Wall air conditioners	Ceiling air conditioners	Heaters	P.21
56°×112°	68	12.0m/6.0m/3.0m	Lighting for walk-in closet	Street lighting	IoT module	Hot desking	Thermostats	Wall air conditioners	P.22
122°×35° 150°×36°	88 16	5.0m	Lighting controls	Base lighting	Digital signage	IoT module	Hot desking	Thermostats	P.23
130°×130°	208	2.5 – 5.9m	Lighting controls	Base lighting	Hot desking	Wall air conditioners	Ceiling air conditioners	IP cameras	P.24
57°×42°	24	5.0 – 5.6m	Lighting controls	Lighting controls	Digital signage	Hot desking	Sterilization stand	IP cameras	P.25

EKM - Standard Detection Type



PaPIRs: 3rd generation
 Preference type
 Flat lens for an unobtrusive integration
 Lens diameter 9.5mm

Detection area coverage



Specified detection distance (Note 1)	up to 5m
Typical ceiling installation height (Note 2)	3m
Field of view	106° x 97°
Detection zones	64
Note 1: > ΔT ≥ 4°C > Object speed: 1m/s > Object size: 700 x 250mm > Crossing 2 detection zones	Note 2: The sensitivity of passive infrared sensors is influenced by environmental conditions, so a performance evaluation test under representative conditions is recommended

Typical applications



Base lighting



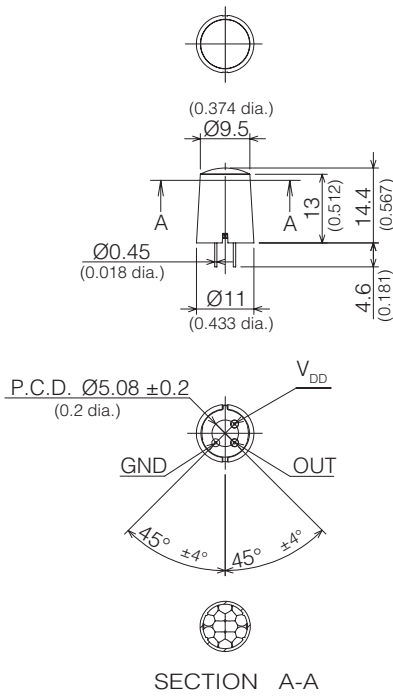
Digital signage



IP cameras

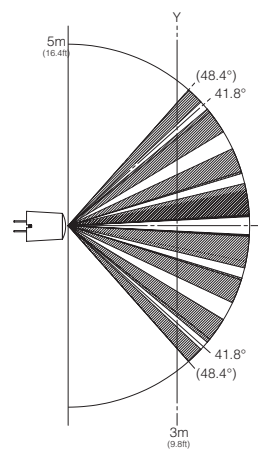
Further information on electrical characteristics please see page 26

Dimension (in mm, inches in brackets)

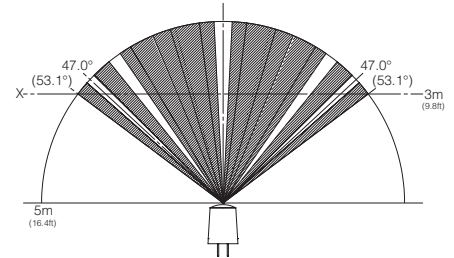
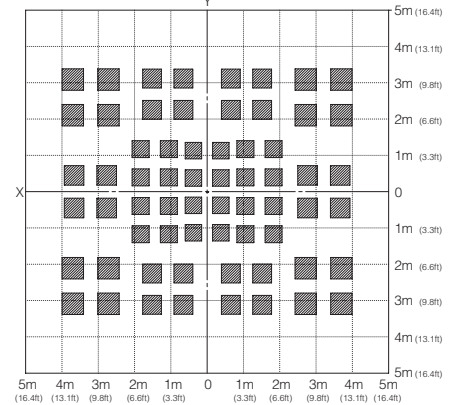


SECTION A-A

Detection area (reference)



X-Y cross section at 3m (9.8ft)



Notes	Standby current consumption	Output type	Sensitivity	White	Black	Pearl White
High-end	1μA	Digital (open collector)	Standard	EKMB1101111	EKMB1101112	EKMB1101113
	2μA	Digital (open collector)	Standard	EKMB1201111	EKMB1201112	EKMB1201113
Economy	6μA	Digital (open collector)	Standard	EKMB1301111K	EKMB1301112K	EKMB1301113K
	170μA	Digital (open collector)	Standard	EKMC1601111	EKMC1601112	EKMC1601113
Special	170μA	Analog (op amp)	Adjustable	EKMC2601111K	EKMC2601112K	EKMC2601113K
	6μA	Digital (open collector)	High	Please contact us if a higher or a lower sensitivity is required.		
	170μA	Digital (open collector)	High			
170μA	Digital (open collector)	Low				

Note: The specification shows the X-Y cross section at 2.5m.

at <https://industrial.panasonic.com/ww/products/pt/papirs>

EKM - Low Profile Type

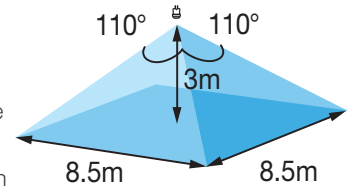


Detection area coverage

Lower height lens design
[14.4mm→10.9mm]

Comparable performance to
PaPIRs standard detection type
lens

Fit with superior product design



Specified detection distance (Note 1)	up to 5m
Typical ceiling installation height (Note 2)	3m
Field of view	110° x 110°
Detection zones	32
Note 1: > ΔT ≥ 4°C > Object speed: 1m/s > Object size: 700 x 250mm > Crossing 2 detection zones	Note 2: The sensitivity of passive infrared sensors is influenced by environmental conditions, so a performance evaluation test under representative conditions is recommended

Typical applications



Lighting controls



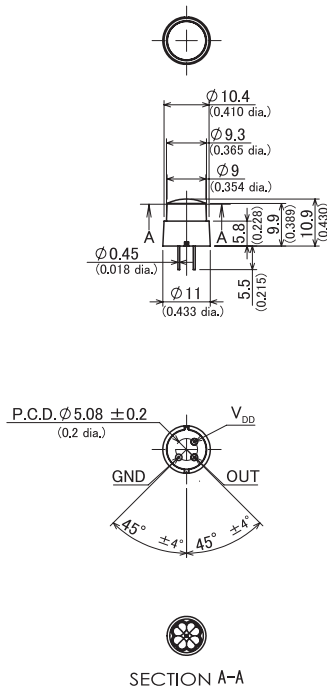
Digital signage



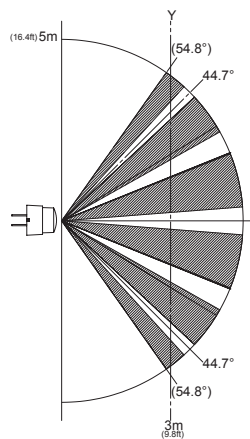
IP cameras

Further information on electrical characteristics please see page 26

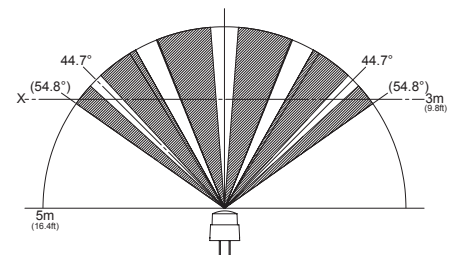
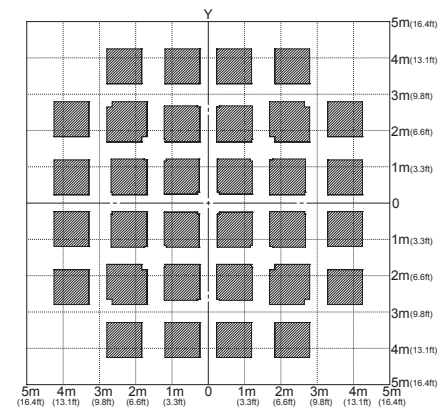
Dimension (in mm, inches in brackets)



Detection area (reference)



X-Y cross section at 3m (9.8ft)



Notes	Standby current consumption	Output type	Sensitivity	White	Black	Pearl White
High-end	1μA	Digital (open collector)	Standard	EKMB1107111	EKMB1107112	EKMB1107113
	2μA	Digital (open collector)	Standard	EKMB1207111	EKMB1207112	EKMB1207113
Economy	6μA	Digital (open collector)	Standard	EKMB1307111K	EKMB1307112K	EKMB1307113K
	170μA	Digital (open collector)	Standard	EKMC1607111	EKMC1607112	EKMC1607113
	170μA	Analog (op amp)	Adjustable	EKMC2607111K	EKMC2607112K	EKMC2607113K
Special	6μA	Digital (open collector)	High	Please contact us if a higher or a lower sensitivity is required.		
	170μA	Digital (open collector)	High			
	170μA	Digital (open collector)	Low			

Note: The specification shows the X-Y cross section at 2.5m.

Standard Detection Type

Long Distance Detection Type

Slight Motion Detection Type

Specific Area Detection Type

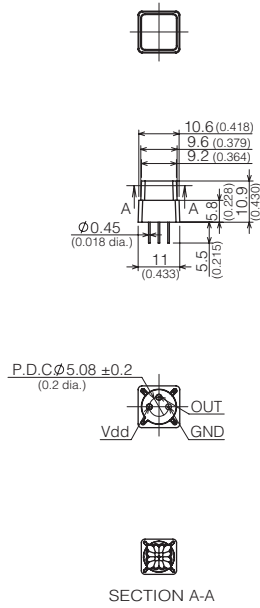
EKM – Flat Square Type



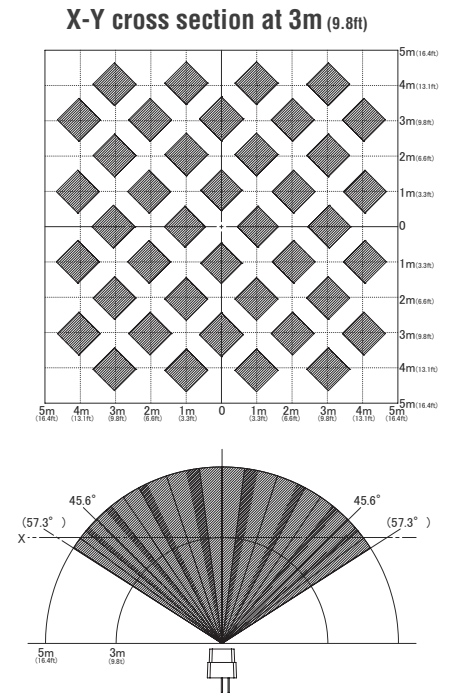
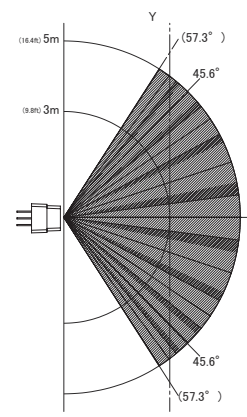
Specified detection distance (Note 1)	Up to 5.0m
Typical ceiling installation height (Note 2)	3.0m
Field of view	115° x 115°
Detection zones	40
Note 1: <ul style="list-style-type: none"> ΔT ≥ 4°C Object speed: 1.0m/s Object size: 700 x 250mm Crossing 2 detection zones 	Note 2: The sensitivity of passive infrared sensors is influenced by environmental conditions, so a performance evaluation test under representative conditions is recommended

Further information on electrical characteristics please see page 26

Dimension (in mm, inches in brackets)

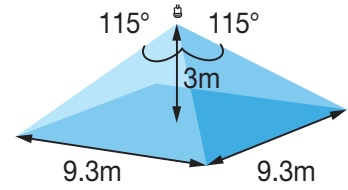


Detection area (reference)



Detection area coverage

Detection area: 9m x 9m (@3m installation height)
 Flat & square lens design: 10.6 x 10.6mm
 Low profile: 10.9mm



Typical applications



Air purifier



IoT module



Thermostats

Notes	Standby current consumption	Output type	Sensitivity	White	Black	Pearl White
High-end	1μA	Digital	Standard	EKMB1110111	EKMB1110112	EKMB1110113
	2μA	Digital	Standard	EKMB1210111	EKMB1210112	EKMB1210113
Economy	6μA	Digital	Standard	EKMB1310111K	EKMB1310112K	EKMB1310113K
	170μA	Digital	Standard	EKMC1610111	EKMC1610112	EKMC1610113
Special	170μA	Analog	Adjustable	EKMC2610111K	EKMC2610112K	EKMC2610113K
	6μA	Digital	High	Please contact us if a higher or a lower sensitivity is required.		
	170μA	Digital	High			
170μA	Digital	Low				

Note: The specification shows the X-Y cross section at 2.5m.

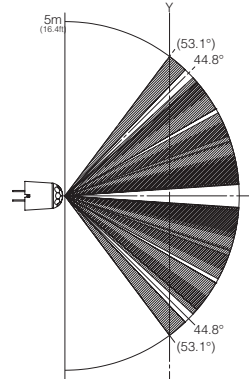
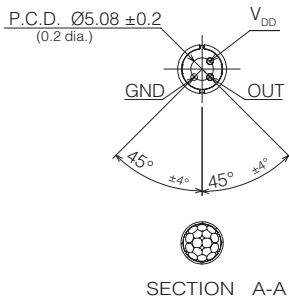
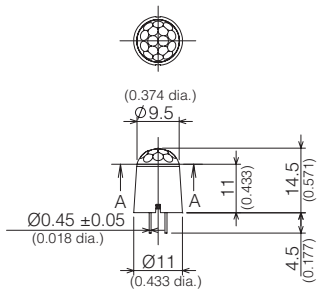
AMN - Standard Detection Type



Specified detection distance (Note 1)	up to 5m
Typical ceiling installation height (Note 2)	3m
Field of view	120° x 106°
Detection zones	64
Note 1: <ul style="list-style-type: none"> ΔT ≥ 4°C Object speed: 1m/s Object size: 700 x 250mm Crossing 2 detection zones 	Note 2: The sensitivity of passive infrared sensors is influenced by environmental conditions, so a performance evaluation test under representative conditions is recommended

Further information on electrical characteristics please see page 28

Dimension (in mm, inches in brackets)



Detection area (reference)

Typical applications



Base lighting

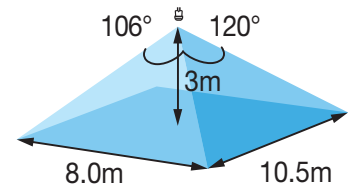


Ceiling air conditioners

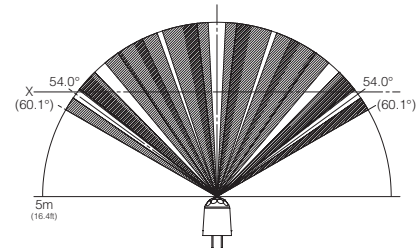
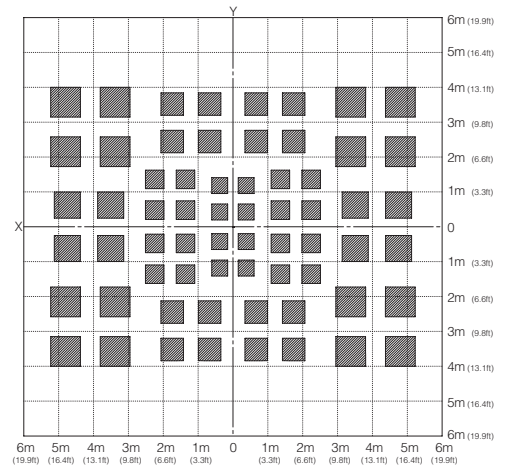


Heaters

Detection area coverage



X-Y cross section at 3m (9.8ft)



Notes	Standby current consumption	Output type	Sensitivity	White	Black
NaPiOn 2nd generation	170µA	Digital (open collector)	Standard	AMN31112	AMN31111

Note: The specification shows the X-Y cross section at 2.5m.

Standard Detection Type

Long Distance Detection Type

Slight Motion Detection Type

Specific Area Detection Type

Standard Detection Type

Long Distance Detection Type

Slight Motion Detection Type

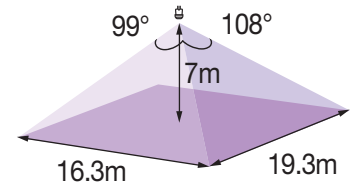
Specific Area Detection Type

EKM - Long Distance Detection Type



PaPIRs: 3rd generation
 Lens diameter 20.7mm
 Similar dimensions like the Wall Installation Type

Detection area coverage



Specified detection distance (Note 1)	up to 12m
Typical ceiling installation height (Note 2)	7m
Field of view	108° x 99°
Detection zones	92
Note 1: > ΔT ≥ 4°C > Object speed: 1m/s > Object size: 700 x 250mm > Crossing 2 detection zones	Note 2: The sensitivity of passive infrared sensors is influenced by environmental conditions, so a performance evaluation test under representative conditions is recommended

Further information on electrical characteristics please see page 26

Typical applications



Street lighting

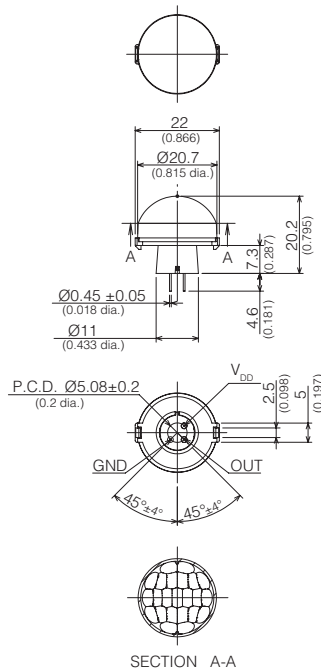


High-bay lighting

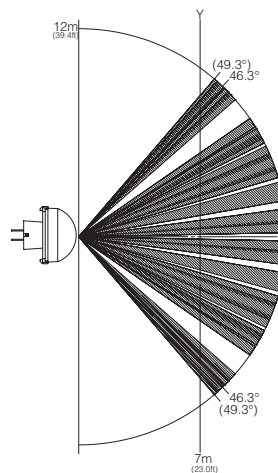


Ceiling air conditioners

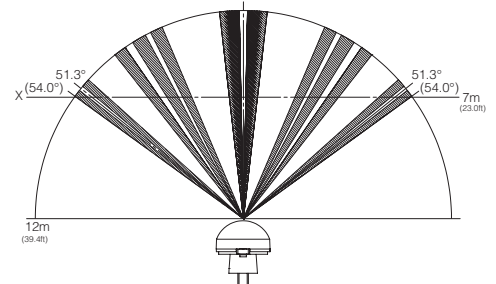
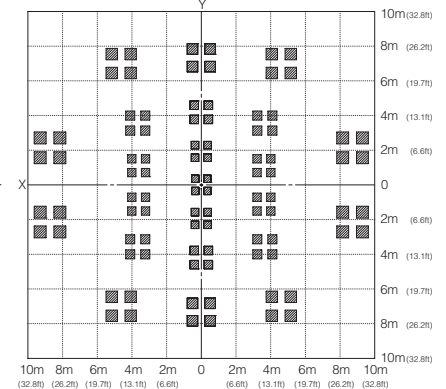
Dimension (in mm, inches in brackets)



Detection area (reference)



X-Y cross section at 7m (22.9ft)



Notes	Standby current consumption	Output type	Sensitivity	White	Black	Pearl White
High-end	1μA	Digital (open collector)	Standard	EKMB1103111	EKMB1103112	EKMB1103113
	2μA	Digital (open collector)	Standard	EKMB1203111	EKMB1203112	EKMB1203113
Economy	6μA	Digital (open collector)	Standard	EKMB1303111K	EKMB1303112K	EKMB1303113K
	170μA	Digital (open collector)	Standard	EKMC1603111	EKMC1603112	EKMC1603113
Special	170μA	Analog (op amp)	Adjustable	EKMC2603111K	EKMC2603112K	EKMC2603113K
	6μA	Digital (open collector)	High	Please contact us if a higher or a lower sensitivity is required.		
	170μA	Digital (open collector)	High			
170μA	Digital (open collector)	Low				

Note: The specification shows the X-Y cross section at 5m.

at <https://industrial.panasonic.com/ww/products/pt/papirs>

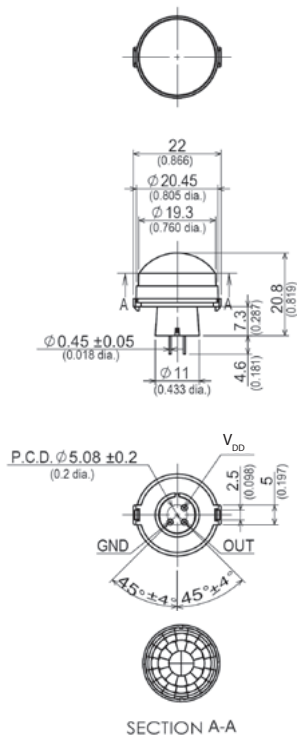
EKM - High Density Long Distance Detection Type



Specified detection distance (Note 1)	up to 12m - 14.5m
Typical ceiling installation height (Note 2)	12m *In case of using High sensitivity sensors: 17m
Field of view	69° x 69°
Detection zones	128
Note 1: <ul style="list-style-type: none"> > ΔT ≥ 4°C > Object speed: 1m/s > Object size: 700 x 250mm > Crossing 2 detection zones 	Note 2: The sensitivity of passive infrared sensors is influenced by environmental conditions, so a performance evaluation test under representative conditions is recommended

Further information on electrical characteristics please see page 26

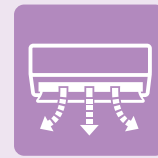
Dimension (in mm, inches in brackets)



Typical applications



Lighting controls



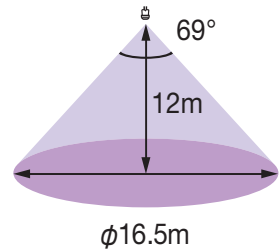
Wall air conditioners



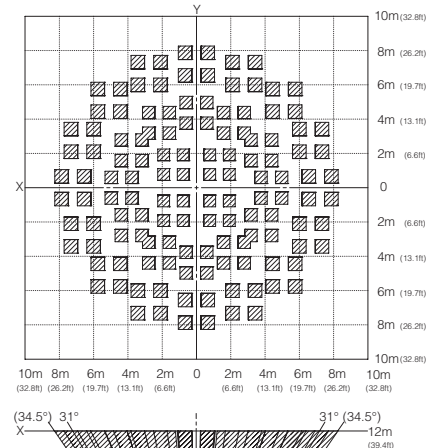
IP cameras

Detection area (reference)

Detection area coverage



X-Y cross section at 12m (39.4ft)



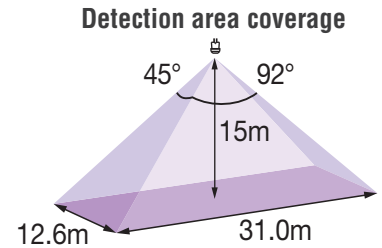
Please contact us if you install at ceiling height 17m

Notes	Standby current consumption	Output type	Sensitivity	White	Black	Pearl White
High-end	1μA	Digital (open collector)	Standard	EKMB1106111	EKMB1106112	EKMB1106113
	2μA	Digital (open collector)	Standard	EKMB1206111	EKMB1206112	EKMB1206113
Economy	6μA	Digital (open collector)	Standard	EKMB1306111K	EKMB1306112K	EKMB1306113K
	170μA	Digital (open collector)	Standard	EKMC1606111	EKMC1606112	EKMC1606113
Special	170μA	Analog (op amp)	Adjustable	EKMC2606111K	EKMC2606112K	EKMC2606113K
	6μA	Digital (open collector)	High	EKMB4306111K	EKMB4306112K	EKMB4306113K
	170μA	Digital (open collector)	High	EKMC4606111K	EKMC4606112K	EKMC4606113K
	170μA	Digital (open collector)	Low	Please contact us if a lower sensitivity is required.		

EKM - Ultra Wide & Long Distance Detection Type



Smallest aisle high bay sensor (lens Ø32.6mm)
 High sensitivity on the aisle entry and exit area
 Optimized for radial movement



Specified detection distance (Note 1)	up to 10 - 15m
Typical ceiling installation height (Note 2)	15m *In case of using Standard sensitivity sensors: 10m
Field of view	92° x 45°
Detection zones	188
Note 1: > ΔT ≥ 2 - 4°C > Object speed: 1m/s > Object size: 700 x 250mm > Crossing 2 detection zones	Note 2: The sensitivity of passive infrared sensors is influenced by environmental conditions, so a performance evaluation test under representative conditions is recommended

Typical applications



Street lighting



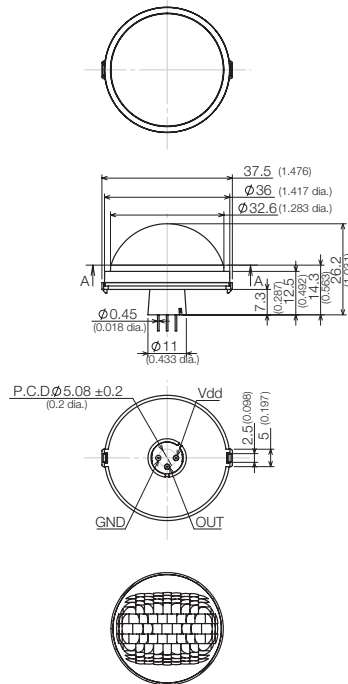
High-bay lighting



IP cameras

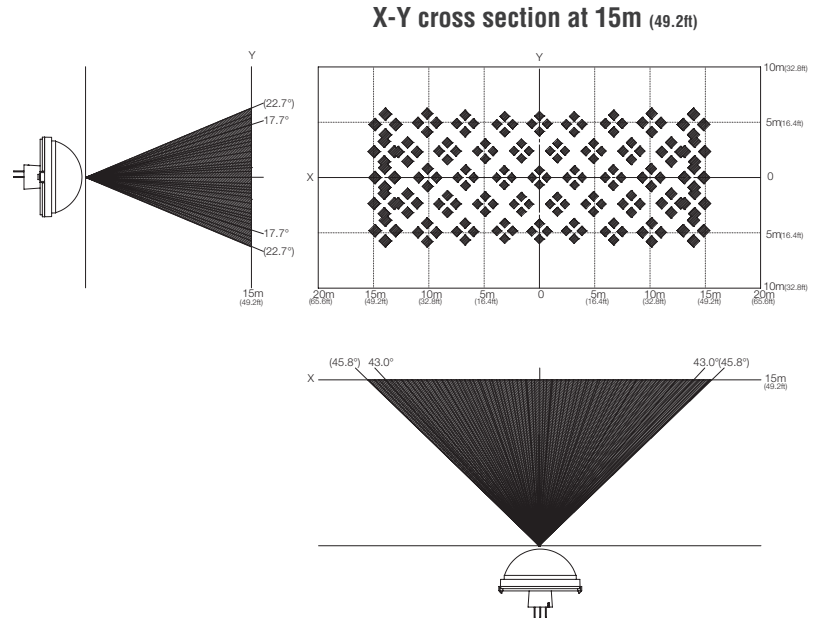
Further information on electrical characteristics please see page 26

Dimension (in mm, inches in brackets)



SECTION A-A

Detection area (reference)



Please contact us if you install at ceiling height 10m

Notes	Standby current consumption	Output type	Sensitivity	White	Black	Pearl White
High-end	1μA	Digital (open collector)	Standard	EKMB1111111	EKMB1111112	EKMB1111113
	2μA	Digital (open collector)	Standard	EKMB1211111	EKMB1211112	EKMB1211113
Economy	6μA	Digital (open collector)	Standard	EKMB1311111K	EKMB1311112K	EKMB1311113K
	170μA	Digital (open collector)	Standard	EKMC1611111	EKMC1611112	EKMC1611113
	170μA	Analog (op amp)	Adjustable	EKMC2611111K	EKMC2611112K	EKMC2611113K
Special	6μA	Digital (open collector)	High*	EKMB4311111K	EKMB4311112K	EKMB4311113K
	170μA	Digital (open collector)	High*	EKMC4611111K	EKMC4611112K	EKMC4611113K
	170μA	Digital (open collector)	Low	Please contact us if a lower sensitivity is required.		

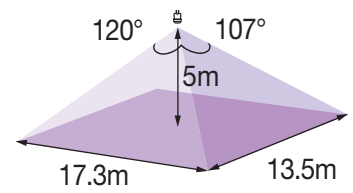
Note*: The EKMB43- and EKMC46- series have a lower threshold-to-noise ratio. Please contact us for further details

AMN - 10m Detection Type (Long Distance)



NaPiOn: 2nd generation

Detection area coverage



Specified detection distance (Note 1)	up to 5 - 10m
Typical ceiling installation height (Note 2)	5m
Field of view	120° x 107°
Detection zones	80
Note 1: > $\Delta T \geq 4^{\circ}C$ > Object speed: 1m/s > Object size: 700 x 250mm > Crossing 2 detection zones	Note 2: The sensitivity of passive infrared sensors is influenced by environmental conditions, so a performance evaluation test under representative conditions is recommended

Typical applications



Lighting for walk-in closet



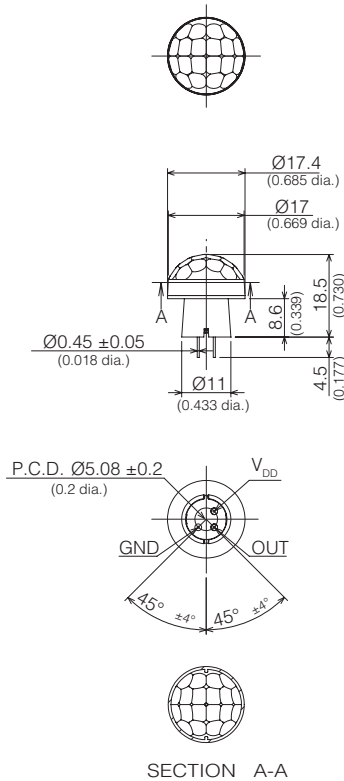
Air purifier



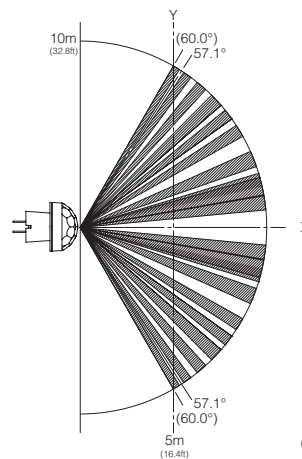
Heaters

Further information on electrical characteristics please see page 28

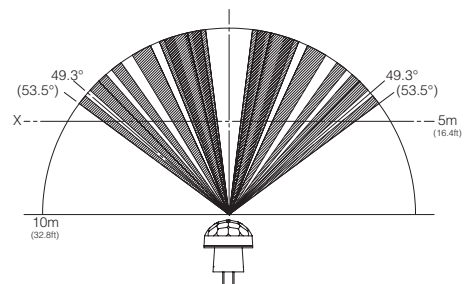
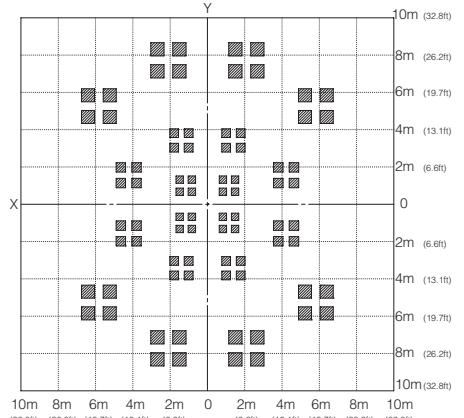
Dimension (in mm, inches in brackets)



Detection area (reference)



X-Y cross section at 5m (16.4ft)



Notes	Standby current consumption	Output type	Sensitivity	White	Black
NaPiOn 2nd generation	170μA	Digital (open collector)	Standard	AMN34112	AMN34111

Standard Detection Type

Long Distance Detection Type

Slight Motion Detection Type

Specific Area Detection Type

Standard Detection Type

Long Distance Detection Type

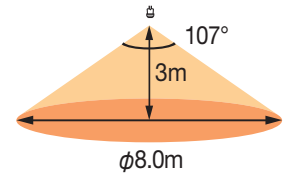
Slight Motion Detection Type

Specific Area Detection Type

EKM - Ultra Slight Motion Detection Type



Detection area coverage



Optimized for the detection of smallest movements and objects
 Extremely small lens: 14mm diameter
 Same mechanical dimensions like the Wide Detection Type

	Slight motion	Standard motion
Specified detection distance (Note 1)	2.5m ~ 4.1m	5.0m ~ 8.2m
Typical ceiling installation height (Note 2)	3.0m	6.0m
Field of view	107° x 107°	
Detection zones	192	
Note 1: > ΔT ≥ 4°C > Object speed: 0.5m/s (Slight motion) 1.0m/s (Standard motion) > Object size: 200 x 200mm (Slight motion) 700 x 250mm (Standard motion) > Crossing 1 detection zones	Note 2: The sensitivity of passive infrared sensors is influenced by environmental conditions, so a performance evaluation test under representative conditions is recommended	

Typical applications



Lighting controls



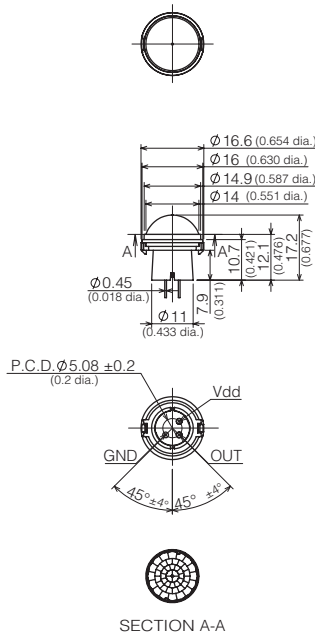
Wall air conditioners



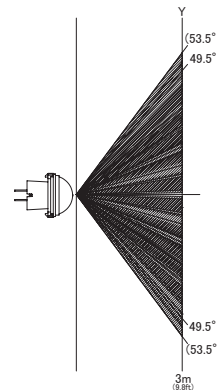
IP cameras

Further information on electrical characteristics please see page 26

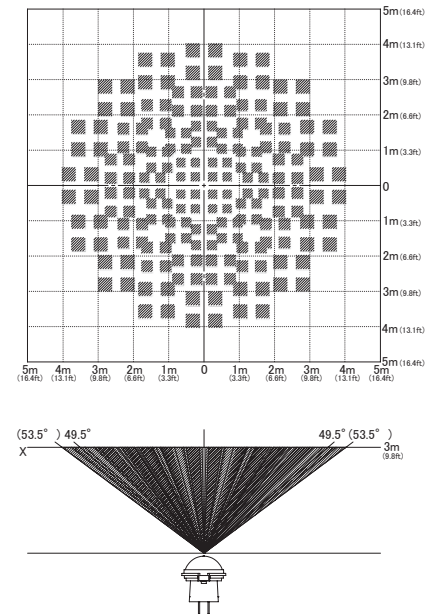
Dimension (in mm, inches in brackets)



Detection area (reference)



X-Y cross section at 3m (9.8ft)



Notes	Standby current consumption	Output type	Sensitivity	White	Black	Pearl White
High-end	1μA	Digital	Standard	EKMB1109111	EKMB1109112	EKMB1109113
	2μA	Digital	Standard	EKMB1209111	EKMB1209112	EKMB1209113
Economy	6μA	Digital	Standard	EKMB1309111K	EKMB1309112K	EKMB1309113K
	170μA	Digital	Standard	EKMC1609111	EKMC1609112	EKMC1609113
	170μA	Analog	Adjustable	EKMC2609111K	EKMC2609112K	EKMC2609113K
Special	6μA	Digital	High	Please contact us if a higher or a lower sensitivity is required.		
	170μA	Digital	High			
	170μA	Digital	Low			

Note: The specification shows the X-Y cross section at 2.5m.

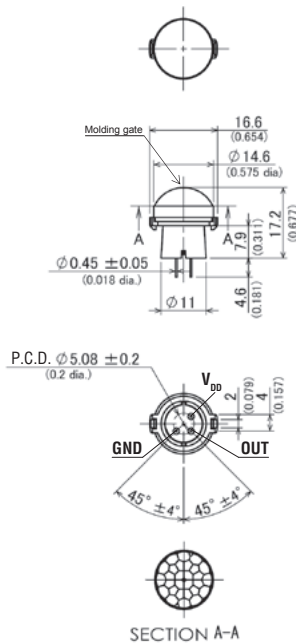
EKM - Slight Motion Detection Type



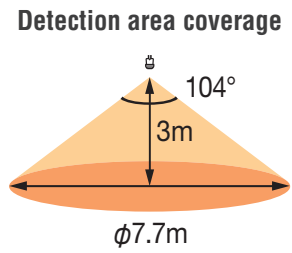
Specified detection distance (Note 1)	up to 2.5m - 4m
Typical ceiling installation height (Note 2)	3m
Field of view	104° x 104°
Detection zones	112
Note 1: > ΔT ≥ 4°C > Object speed: 0.5m/s > Object size: 200 x 200mm > Crossing 1 detection zone	Note 2: The sensitivity of passive infrared sensors is influenced by environmental conditions, so a performance evaluation test under representative conditions is recommended

Further information on electrical characteristics please see page 26

Dimension (in mm, inches in brackets)



PaPIRs: 3rd generation
 Optimized for small movements
 Lens diameter 14.6mm
 Almost the same mechanical dimensions like the Standard and Slight Motion Detection Type (lens diameter 0.3mm smaller)



Typical applications



Lighting controls



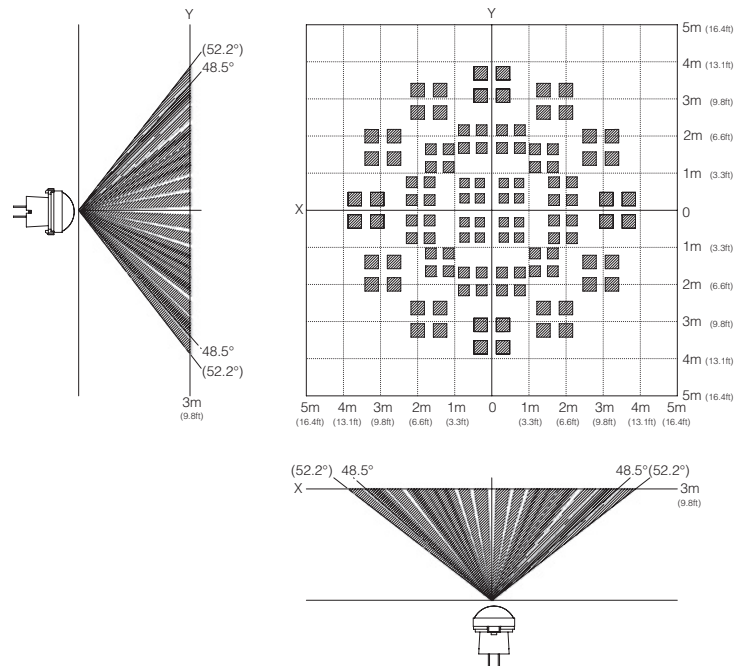
Wall air conditioners



IP cameras

Detection area (reference)

X-Y cross section at 3m (9.8ft)



Notes	Standby current consumption	Output type	Sensitivity	White	Black	Pearl White
High-end	1μA	Digital (open collector)	Standard	EKMB1191111	EKMB1191112	EKMB1191113
	2μA	Digital (open collector)	Standard	EKMB1291111	EKMB1291112	EKMB1291113
Economy	6μA	Digital (open collector)	Standard	EKMB1391111K	EKMB1391112K	EKMB1391113K
	170μA	Digital (open collector)	Standard	EKMC1691111	EKMC1691112	EKMC1691113
	170μA	Analog (op amp)	Adjustable	EKMC2691111K	EKMC2691112K	EKMC2691113K
Special	6μA	Digital (open collector)	High	Please contact us if a higher or a lower sensitivity is required.		
	170μA	Digital (open collector)	High			
	170μA	Digital (open collector)	Low			

Note: The specification shows the X-Y cross section at 2.5m.

Standard Detection Type

Long Distance Detection Type

Slight Motion Detection Type

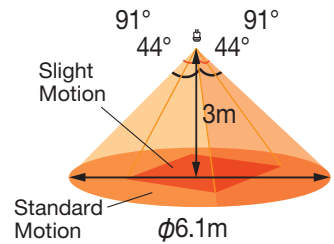
Specific Area Detection Type

EKM - Standard and Slight Motion Detection Type



PaPIRs: 3rd generation
 The rectangular center zone is optimized detecting smallest movements.
 Lens diameter 14.9mm
 Almost the same mechanical dimensions like the Slight Motion Detection Type (lens diameter 0.3mm bigger)

Detection area coverage



Specified detection distance (Note 1)	up to 2.2m - 3.1m
Typical ceiling installation height (Note 2)	3m
Field of view slight motion area	44° x 44°
Field of view standard motion area	91° x 91°
Detection zones slight motion area	36
Detection zones standard motion area	48
Note 1: > ΔT ≥ 4°C > Object speed: 0.5m/s (slight motion area) > Object speed: 1m/s (standard motion area) > Object size: 200 x 200mm (slight motion area) > Object size: 400 x 200mm (standard motion area) > Crossing 1 detection zone (slight motion area) > Crossing 2 detection zones (standard motion area)	Note 2: The sensitivity of passive infrared sensors is influenced by environmental conditions, so a performance evaluation test under representative conditions is recommended

Further information on electrical characteristics please see page 26

Typical applications



Lighting controls

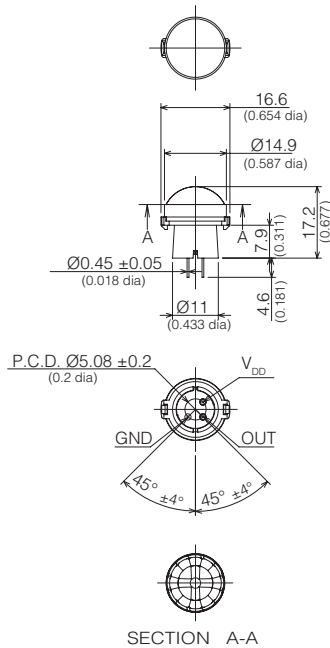


Wall air conditioners



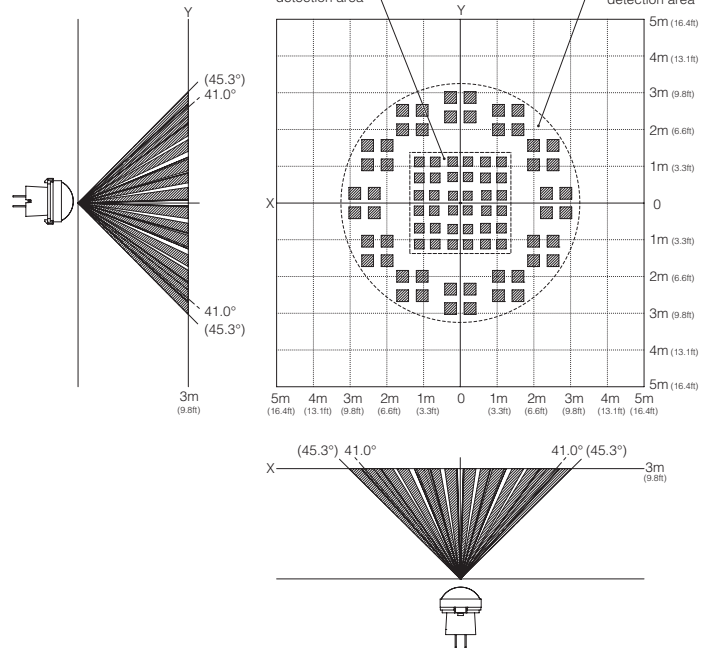
IP cameras

Dimension (in mm, inches in brackets)



Detection area (reference)

X-Y cross section at 3m (9.8ft)



Notes	Standby current consumption	Output type	Sensitivity	White	Black	Pearl White
High-end	1μA	Digital (open collector)	Standard	EKMB1193111	EKMB1193112	EKMB1193113
	2μA	Digital (open collector)	Standard	EKMB1293111	EKMB1293112	EKMB1293113
Economy	6μA	Digital (open collector)	Standard	EKMB1393111K	EKMB1393112K	EKMB1393113K
	170μA	Digital (open collector)	Standard	EKMC1693111	EKMC1693112	EKMC1693113
	170μA	Analog (op amp)	Adjustable	EKMC2693111K	EKMC2693112K	EKMC2693113K
Special	6μA	Digital (open collector)	High	Please contact us if a higher or a lower sensitivity is required.		
	170μA	Digital (open collector)	High			
	170μA	Digital (open collector)	Low			

Note: The specification shows the X-Y cross section at 2.2m.

at <https://industrial.panasonic.com/ww/products/pt/papirs>

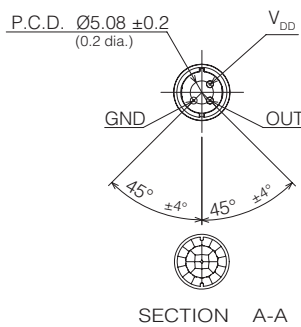
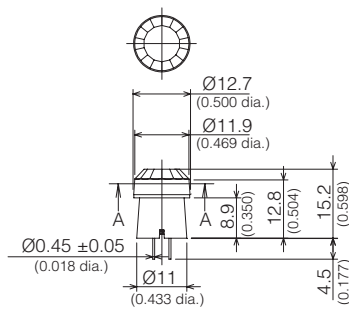
AMN - Slight Motion Detection Type



Specified detection distance (Note 1)	up to 2m - 3.3m
Typical ceiling installation height (Note 2)	3m
Field of view	107° x 106°
Detection zones	104
Note 1: <ul style="list-style-type: none"> ΔT ≥ 4°C Object speed: 0.5m/s Object size: 200mm x 200mm Crossing 1 detection zone 	Note 2: The sensitivity of passive infrared sensors is influenced by environmental conditions, so a performance evaluation test under representative conditions is recommended

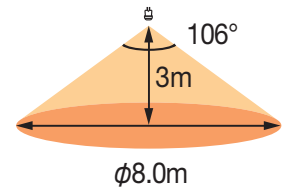
Further information on electrical characteristics please see page 28

Dimension (in mm, inches in brackets)



NaPiOn: 2nd generation
Optimized for small movements

Detection area coverage



Typical applications



Base lighting



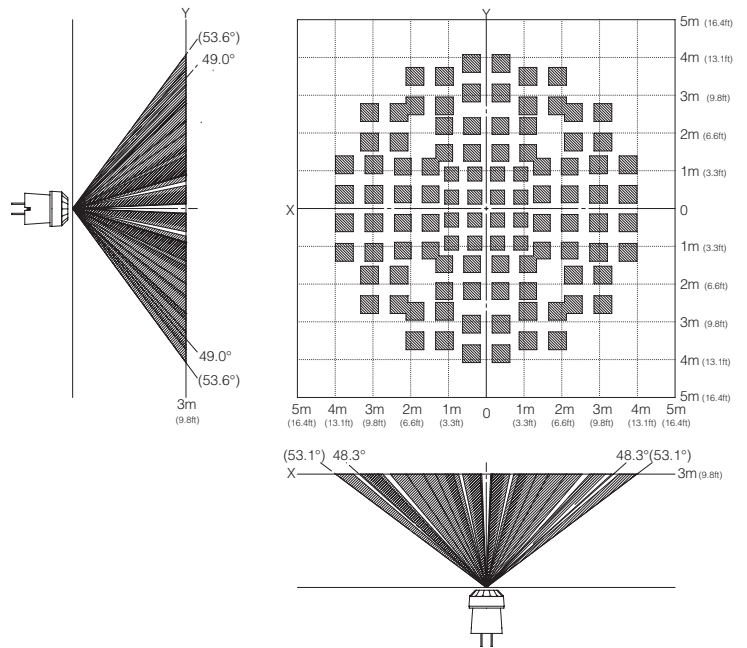
Ceiling air conditioners



Heaters

Detection area (reference)

X-Y cross section at 3m (9.8ft)



Notes	Standby current consumption	Output type	Sensitivity	White	Black
NaPiOn 2nd generation	170μA	Digital (open collector)	Standard	AMN32112	AMN32111

Note: The specification shows the X-Y cross section at 2m.

Standard Detection Type

Long Distance Detection Type

Slight Motion Detection Type

Specific Area Detection Type

Standard Detection Type

Long Distance Detection Type

Slight Motion Detection Type

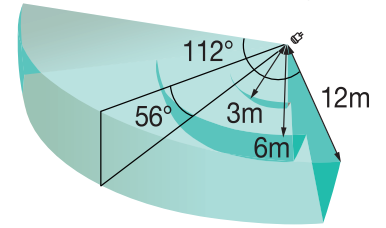
Specific Area Detection Type

EKM - Wall Installation Type



PaPIRs: 3rd generation
 Lens diameter 20.7mm
 Similar dimensions like the Long Distance Detection Type

Detection area coverage



Specified detection distance (Note 1 & 2)	up to 12m (1st step lens) up to 6m (2nd step lens) up to 3m (3rd step lens)
Field of view	56° x 112°
Detection zones	68
Note 1: <ul style="list-style-type: none"> ΔT ≥ 4°C Object speed: 1m/s Object size: 700 x 250mm Crossing 2 detection zones 	Note 2: The sensitivity of passive infrared sensors is influenced by environmental conditions, so a performance evaluation test under representative conditions is recommended

Typical applications



Street lighting



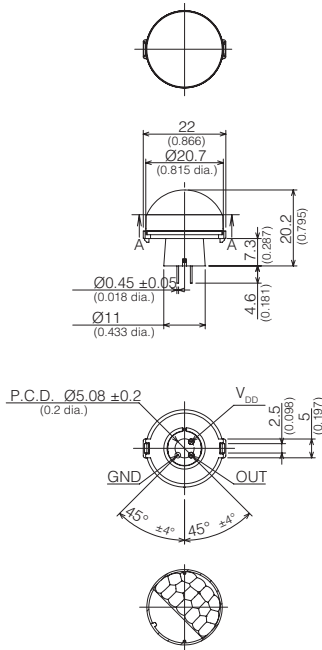
IoT module



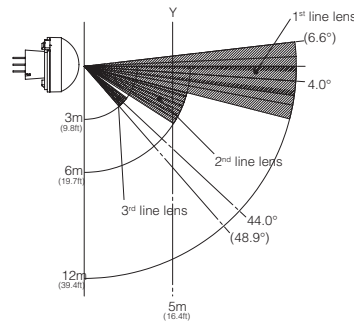
Wall air conditioners

Further information on electrical characteristics please see page 26

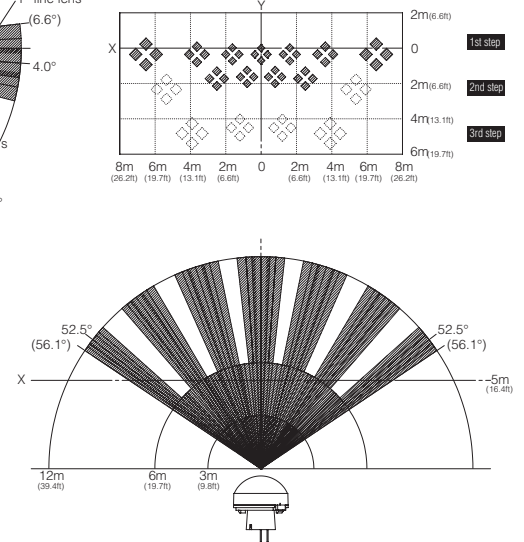
Dimension (in mm, inches in brackets)



Detection area (reference)



X-Y cross section at 5m (16.4ft)



Notes	Standby current consumption	Output type	Sensitivity	White	Black	Pearl White
High-end	1μA	Digital (open collector)	Standard	EKMB1104111	EKMB1104112	EKMB1104113
	2μA	Digital (open collector)	Standard	EKMB1204111	EKMB1204112	EKMB1204113
Economy	6μA	Digital (open collector)	Standard	EKMB1304111K	EKMB1304112K	EKMB1304113K
	170μA	Digital (open collector)	Standard	EKMC1604111	EKMC1604112	EKMC1604113
	170μA	Analog (op amp)	Adjustable	EKMC2604111K	EKMC2604112K	EKMC2604113K
Special	6μA	Digital (open collector)	High	Please contact us if a higher or a lower sensitivity is required.		
	170μA	Digital (open collector)	High			
	170μA	Digital (open collector)	Low			

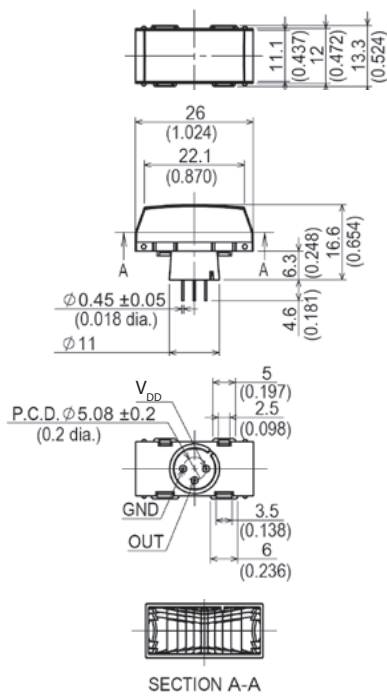
EKM - Horizontally Wide Detection Type



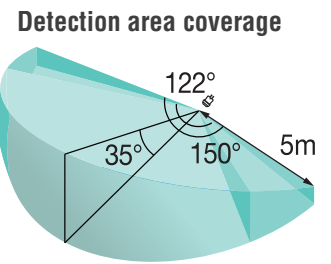
Specified detection distance (Note 1 & 2)	up to 5m
Field of view area A	122° x 35°
Field of view area B	150° x 36°
Detection zones area A	88
Detection zones area B	16
Note 1: > ΔT ≥ 4°C (Area A) > ΔT ≥ 8°C (Area B) > Object speed: 1m/s > Object size: 700 x 250mm > Crossing 2 detection zones	Note 2: The sensitivity of passive infrared sensors is influenced by environmental conditions, so a performance evaluation test under representative conditions is recommended

Further information on electrical characteristics please see page 26

Dimension (in mm, inches in brackets)



PaPIRs: 3rd generation
World's first PIR with "Approach Sensing" technology
 Panasonic presents the world's first PIR sensor in the shape of a hammerhead with a special optic, which is more sensitive to radial motion.



Typical applications



Base lighting

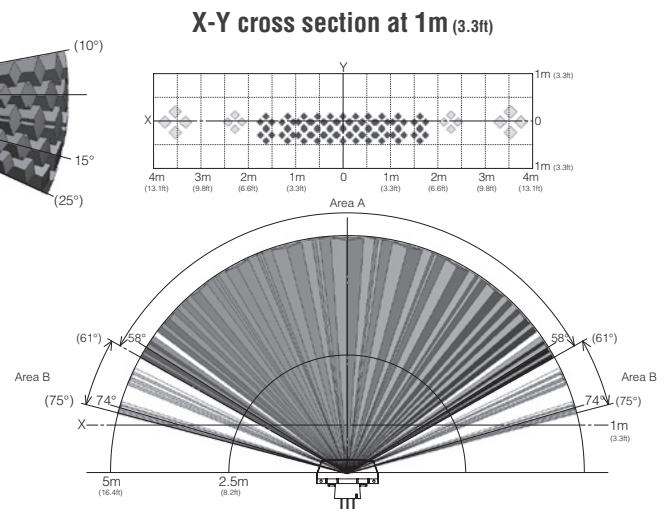


Digital signage



Thermostats

Detection area (reference)



Notes	Standby current consumption	Output type	Sensitivity	White	Black	Pearl White
High-end	1μA	Digital (open collector)	Standard	EKMB1105111	EKMB1105112	EKMB1105113
	2μA	Digital (open collector)	Standard	EKMB1205111	EKMB1205112	EKMB1205113
Economy	6μA	Digital (open collector)	Standard	EKMB1305111K	EKMB1305112K	EKMB1305113K
	170μA	Digital (open collector)	Standard	EKMC1605111	EKMC1605112	EKMC1605113
	170μA	Analog (op amp)	Adjustable	EKMC2605111K	EKMC2605112K	EKMC2605113K
Special	6μA	Digital (open collector)	High	Please contact us if a higher or a lower sensitivity is required.		
	170μA	Digital (open collector)	High			
	170μA	Digital (open collector)	Low			

Standard Detection Type

Long Distance Detection Type

Slight Motion Detection Type

Specific Area Detection Type

Standard Detection Type

Long Distance Detection Type

Slight Motion Detection Type

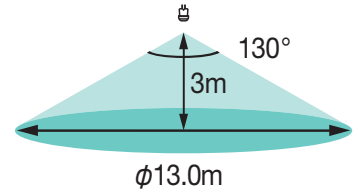
Specific Area Detection Type

EKM - Wide Detection Type



Detection area coverage

Large detection area: $\phi 12.9\text{m}$
 (@3m installation height)
 Extremely small lens: 14mm diameter
 Same mechanical dimensions like the Ultra Slight Motion Detection Type



Specified detection distance (Note 1)	2.5m ~ 5.9m
Typical ceiling installation height(Note 2)	3.0m
Field of view	130° x 130°
Detection zones	208
Note 1: > $\Delta T \geq 4^\circ\text{C}$ > Object speed: 1.0m/s > Object size: 700 x 250mm > Crossing 2 detection zones	Note 2: The sensitivity of passive infrared sensors is influenced by environmental conditions, so a performance evaluation test under representative conditions is recommended

Typical applications



Lighting controls



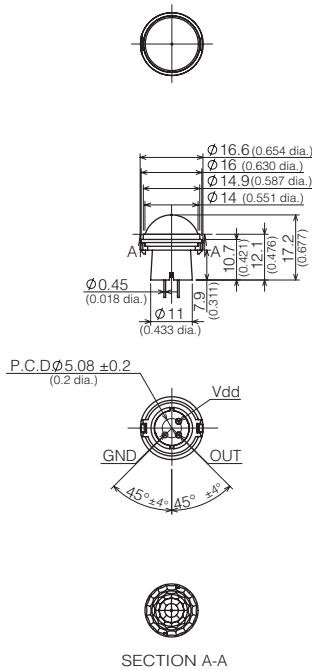
Wall air conditioners



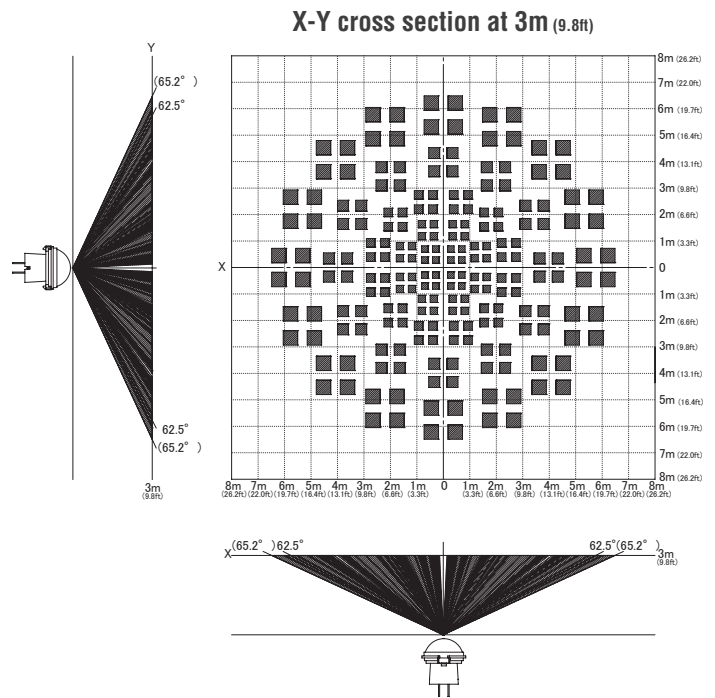
IP cameras

Further information on electrical characteristics please see page 26

Dimension (in mm, inches in brackets)



Detection area (reference)



Notes	Standby current consumption	Output type	Sensitivity	White	Black	Pearl White
High-end	1 μA	Digital	Standard	EKMB1108111	EKMB1108112	EKMB1108113
	2 μA	Digital	Standard	EKMB1208111	EKMB1208112	EKMB1208113
Economy	6 μA	Digital	Standard	EKMB1308111K	EKMB1308112K	EKMB1308113K
	170 μA	Digital	Standard	EKMC1608111	EKMC1608112	EKMC1608113
	170 μA	Analog	Adjustable	EKMC2608111K	EKMC2608112K	EKMC2608113K
Special	6 μA	Digital	High	Please contact us if a higher or a lower sensitivity is required.		
	170 μA	Digital	High			
	170 μA	Digital	Low			

Note: The specification shows the X-Y cross section at 2.5m.

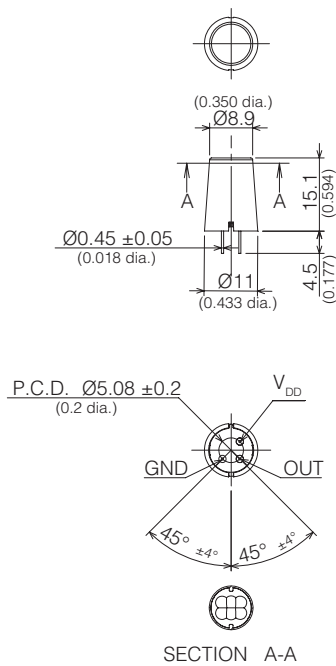
AMN - Spot Detection Type



Specified detection distance (Note 1)	up to 5m - 5.6m
Typical ceiling installation height (Note 2)	5m
Field of view	57° x 42°
Detection zones	24
Note 1: <ul style="list-style-type: none"> ΔT ≥ 4°C Object speed: 1m/s Object size: 700 x 250mm Crossing 2 detection zones 	Note 2: The sensitivity of passive infrared sensors is influenced by environmental conditions, so a performance evaluation test under representative conditions is recommended

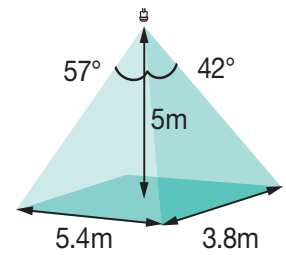
Further information on electrical characteristics please see page 28

Dimension (in mm, inches in brackets)



NaPiOn: 2nd generation
 Flat lens
 Lens diameter 8.9mm
 Narrow field of view

Detection area coverage



Typical applications



Digital signage



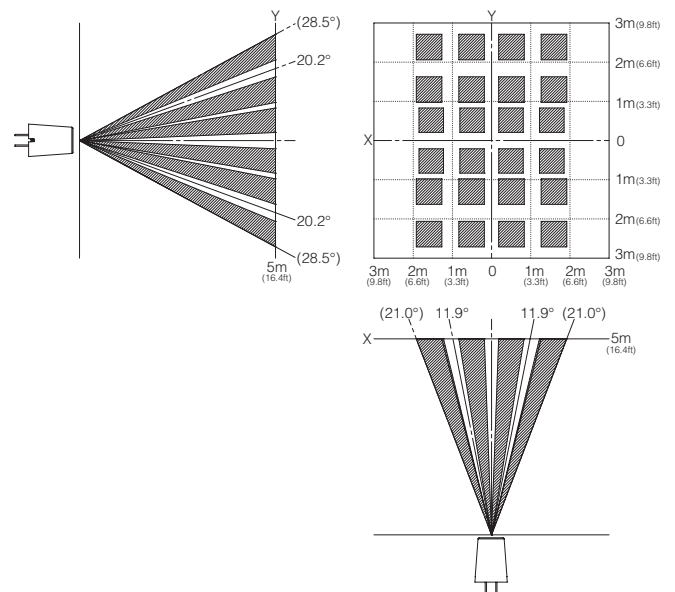
Sterilization stand



IP cameras

Detection area (reference)

X-Y cross section at 5m (16.4ft)



Notes	Standby current consumption	Output type	Sensitivity	White	Black
NaPiOn 2nd generation	170μA	Digital (open collector)	Standard	AMN33112	AMN33111

Standard Detection Type

Long Distance Detection Type

Slight Motion Detection Type

Specific Area Detection Type

EKM - Characteristics

EKM - Maximum rated values

Items	EKMB series	EKMC series
Power supply voltage	-0.3 to 4.5VDC	-0.3 to 7VDC
Ambient temperature	-20 to 60°C -20 to 55°C (high sensitivity type) (no frost, no condensation)	
Storage temperature	-20 to 70°C	

EKM - Electrical characteristics (digital output types)

Item	Symbol		EKMB11□ series (1μA)	EKMB12□ series (2μA)	EKMB13□K series (6μA)	EKMC16□ series (170μA)	Conditions
Operating voltage	V_{DD}	Max	4.0VDC			6.0VDC	-
		Min	2.3VDC			3.0VDC	
Current consumption (in standby/sleep mode) Note 1	I_w	Ave	1μA	2μA	6μA	170μA	Ambient temperature: 25°C $I_{OUT} = 0A$ EKMB series: $V_{DD} = 3VDC$ EKMC series: $V_{DD} = 5VDC$
Output current (during detection period) Note 2	I_{OUT}	Max	100μA				Ambient temperature: 25°C $V_{OUT} \geq V_{DD} - 0.5VDC$
Output voltage (during detection period)	V_{OUT}	Min	$V_{DD} - 0.5V$				Ambient temperature: 25°C
Circuit stability time (when voltage is applied)	t_{WU}	Ave	25 seconds		-	-	Ambient temperature: 25°C $I_{OUT} = 0A$ EKMB series: $V_{DD} = 3VDC$ EKMC series: $V_{DD} = 5VDC$
		Max	210 seconds		10 seconds	30 seconds	

Note 1: The total current consumption during detection is the current consumption in standby mode (I_w) plus the output current (I_{OUT}). For the 1μA type the average current consumption (I_w) is 1μA in sleep mode and 1.9μA in standby mode. Please also refer to the timing charts on the next page.

Note 2: Please select an output resistor (pull-down concept) in accordance with V_{OUT} so that the output current is maximum 100μA.

EKM - Electrical characteristics (analog output)

Item	Symbol		EKMC26□K series		Remarks
Operating voltage	V_{DD}	Max		5.5V	-
		Min		3.0V	
Current consumption (in standby mode) Note 1	I_w	Ave		170μA	Ambient temperature = 25°C $I_{OUT} = 0A$
		Max		350μA	
Output current (during detection period) Note 2	I_{OUT}	Max		200μA	-
Analog output saturated voltage	V_H	High		Min. 1.9V	-
	V_L	Low		Max. 0.2V	-
Output offset voltage (at non detection)	V_{OFF}	Max		1.2V	Ambient temperature: 25°C Steady output voltage at non detection
		Ave		1.1V	
		Min		1.0V	
Steady noise	V_N	Max		150mV _{PP}	-
		Ave		80mV _{PP}	
Circuit stability time (after applying voltage)	t_{WU}	Max		30 seconds	Ambient temperature: 25°C $I_{OUT} = 0A$

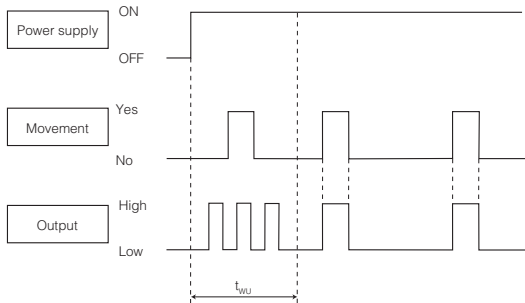
Note 1: The total current consumption during detection is the current consumption in standby mode (I_w) plus the output current (I_{OUT}).

Note 2: The output offset voltage has a certain tolerance. Please assure to measure the offset voltage before setting the upper and lower threshold values. Otherwise the threshold window could be unsymmetrical relative to the offset voltage.

Note 3: The internal circuit threshold of the EKMC16 series corresponds to output offset voltage(V_{OS})±0.22V. The threshold of the EKMC46 series corresponds to half of this.

Timing chart

2µA / 6µA / 170µA type (digital output)

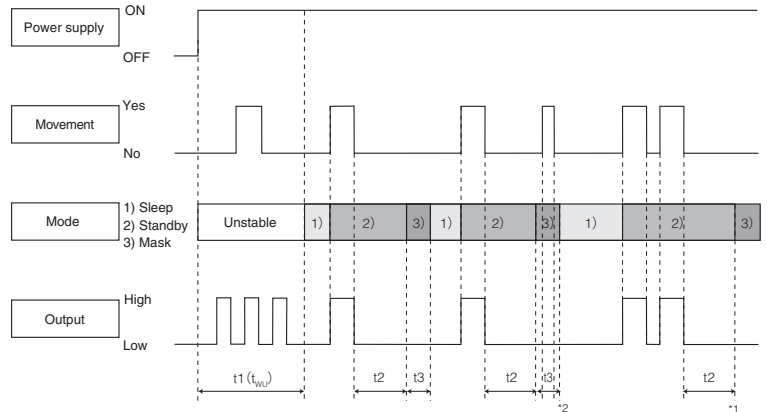


Explanation of the timing

t_{wu} Circuit stability time: about 25 seconds (typ.) for 2µA type, max. 10 seconds for 6µA type, max. 30 seconds for 170µA type.

While the circuitry is stabilizing after the power is turned on, the sensor output is not fixed in the High or Low state. This is true regardless of whether or not the sensor has detected anything.

1µA type (digital output)



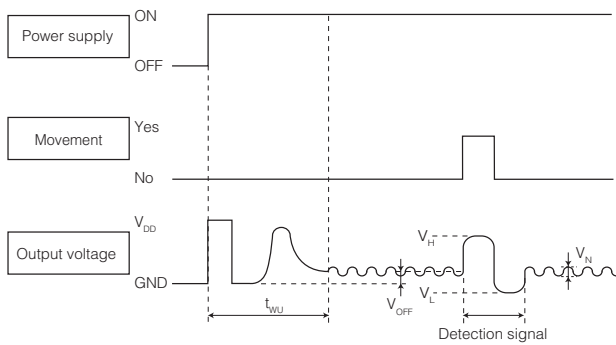
Explanation of modes

- 1) Sleep mode: When the output is Low. The electrical current consumption is around 1µA
- 2) Standby mode: After the sensor's output has reached High status, the sensor switches to standby mode. The electrical current consumption gets close to 1.9µA. When the sensor's output returns to its Low value after the "hold time" has expired, the sensor switches again to sleep mode.
- 3) Mask mode: Time during which the output is forced to Low status after the end of the standby mode. (No detection is possible during this period.)

Explanation of the timing

- t1) (t_{wu}) Circuit stability time: about 25 seconds (typ.)
While the circuitry is stabilizing after the power is turned on, the sensor output is not fixed in the High or Low state. This is true regardless of whether or not the sensor has detected anything.
- t2) Standby hold time: About 2.6 seconds (typ.) after the last detection of a signal. (*1)
- t3) Mask time: About 1.3 seconds (typ.) During this stage, even if the sensor detects something, the output will not switch to High. (*2)

170µA type (analog output)



Explanation of the timing

t_{wu} Circuit stability time: max. 30 seconds

While the circuitry is stabilizing after the power is turned on, the sensor output is not fixed. This is true regardless of whether or not the sensor has detected anything.

AMN - Characteristics

AMN - Maximum rated values (digital output)

Items	Value
Power supply voltage	-0.3 to 7VDC
Ambient temperature	-20 to +60°C (no frost, no condensation)
Storage temperature	-20 to +70°C

AMN - Electrical characteristics (digital output)

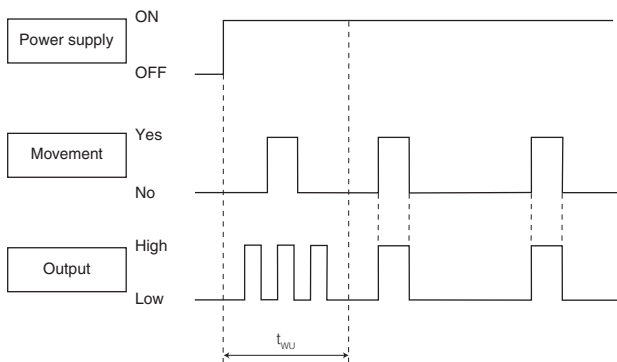
Items	Symbol	AMN3* series		Conditions
		Max	Min	
Operating voltage	V_{DD}	Max	6.0VDC	-
		Min	3.0VDC	
Current consumption (in standby mode) Note 1	I_W	Ave	170 μ A	Ambient temperature: 25°C $I_{OUT}=0A$ $V_{DD}=5VDC$
Output current (during detection) Note 2	I_{OUT}	Max	100 μ A	Ambient temperature: 25°C $V_{OUT} \geq V_{DD} - 0.5VDC$
Output voltage (during detection)	V_{OUT}	Min	$V_{DD} - 0.5V$	Ambient temperature: 25°C
Circuit stability time (when voltage is applied) Note 3	t_{WU}	Max	30 seconds	Ambient temperature: 25°C $I_{OUT}=0A$ $V_{DD}=5VDC$

Note 1: The total current consumption is equal to the current consumption in standby mode (I_W) plus the output current (I_{OUT}).

Note 2: Please select an output resistor (pull-down concept) in accordance with V_{OUT} so that the output current is maximum 100 μ A. If the output current is more than 100 μ A, this may cause false alarms.

Note 3: The sensor temperature has to be constant for the time specified.

Digital output



Explanation of the timing

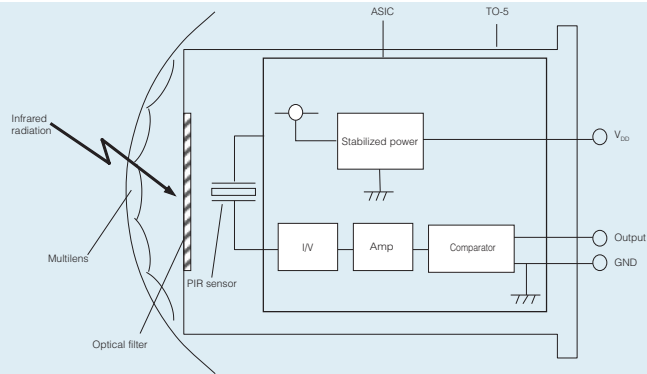
t_{WU} Circuit stability time: max. 30 seconds

While the circuitry is stabilizing after the power is turned on, the sensor output is not fixed in the High or Low state. This is true regardless of whether or not the sensor has detected anything.

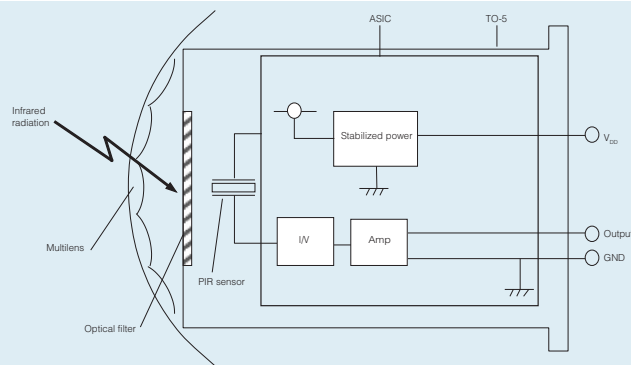
Technical information

Block diagram output circuit

Digital output with integrated amplifier and comparator

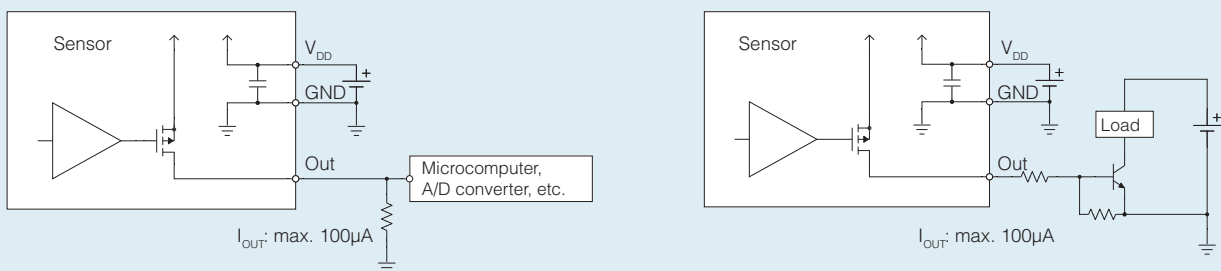


Analog output with integrated amplifier

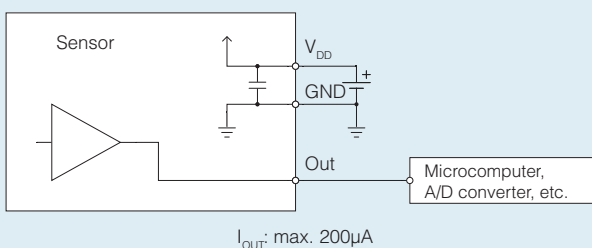


Wiring diagram

Digital output



Analog output



Notes: **Digital output types:**

The output signal for the digital output type is from inside FET drain, therefore pull-down resistors are necessary. Please select an output resistor (pull-down concept) in accordance with V_{OUT} so that the output current is maximum 100 μ A. If the output current is more than 100 μ A, this may cause false alarms.

If the microcomputer has a pull-down function, there is no need for a resistor as long as the output current does not exceed 100 μ A.

Analog output types (EKMC26 series):

In either case, a microcomputer or a resistor needs to be chosen in accordance to V_{OUT} , so that the output current is maximum 200 μ A.

Cautions for use

Basic principles

PaPIRs are pyroelectric infrared sensors that detect variations in infrared rays. However, detection may not be successful in the following cases: lack of movement or no temperature change in the heat source. They could also detect the presence of heat sources other than a human body. Efficiency and reliability of the system may vary depending on the actual operating conditions:

- 1) Detecting heat sources other than the human body, such as:
 - a) small animals entering the detection area
 - b) When a heat source, for example sun light, incandescent lamp, car headlights etc., or strong light beam hit the sensor regardless whether the detection area is inside or outside.
 - c) Sudden temperature change inside or around the detection area caused by hot or cold wind from HVAC, or vapor from a humidifier, etc.
- 2) Difficulty in sensing the heat source
 - a) Glass, acrylic or similar materials standing between the target and the sensor may not allow a correct transmission of infrared rays.
 - b) Non-movement or quick movements of the heat source inside the detection area. (Please refer to the table on page 8 or 11 for details about movement speed.)
- 3) Expansion of the detection area
In case of a considerable difference in the ambient temperature and the human body temperature, the detection area may be larger than the configured detection area.
- 4) Malfunction / Detection error
On rare occasions, an erroneous detection signal may be output due to the nature of pyroelectric element. When the application cannot tolerate erroneous detection signals, take countermeasures by introducing a pulse-count circuit, etc.
- 5) Detection distance
Panasonic's PIR Motion sensors state the detection distance in the specifications because they are usually provided with the lens (please refer to item 6 for lensless types). The PIR Motion sensor could detect variations in infrared rays however such variations are decided by following three factors.
 - The temperature difference between the target and the surroundings:
The larger the temperature difference, the easier it is to detect targets.
 - Movement speed: If the target is moving at a slower or faster speed than specified in the tables, the detection ability may be lower.
 - Target size: The human body is the standard. If the target is smaller or larger than specified in the table, the detection ability may be lower.
The detection distance explained in our data sheet is defined by the three factors mentioned above. Panasonic's standard for the temperature difference between the target and the surrounding is defined as 4°C. The larger the temperature difference, the longer the detection distance. If the temperature difference is 8°C, which is twice as much as the standard, the detection distance will be approx. 1.4 times longer than the distance at 4°C. For example, if targets at a distance of 5m can be detected at 4°C, then the sensor can detect targets at a distance of 7m at 8°C. (This is based on the theory that the detection sensitivity will vary inversely with the square of the distance.)
- 6) Lensless Type
The lensless type cannot detect any targets because it is not possible to focus infrared variations into the sensor chip. It is not possible to determine the detection distance and the field of view without a lens. Please provide your own lens based on your lens design concept.
- 7) Lens material and the plate setting in front of the lens
Typically, the only material that can be passed by infrared rays is Polyethylene. (The lens material of Panasonic's PIR Motion sensors is "High density polyethylene, HDPE".) When you need to set a plate in front of the lens, please choose one made from the Polyethylene. Please note the thickness or color of the plate will affect the detection ability, e.g. it may make the detection distance shorter. Therefore, please confirm by testing the sensor with the plate under realistic conditions.

Cautions

- 1) Refer to the newest specification regarding optimal operating environment conditions.
- 2) Do not solder with a soldering iron above 350°C (662°F) or for more than 3 seconds. This sensor should be hand-soldered.
- 3) To maintain stability of the product, always mount it on a printed circuit board.
- 4) Do not use liquids to wash the sensor. If washing fluid gets into the lens, it can reduce the performance.
- 5) Do not use a sensor after it has fallen on the ground.
- 6) The sensor may be damaged by ±200 volts of static electricity. Avoid direct hand contact with the pins and be very careful when operating the product.
- 7) When wiring the product, always use shielded cables and minimize the wiring length to prevent noise disturbances.
- 8) The inner circuit board can be destroyed by a voltage surge. The use of surge absorption elements is highly recommended. Surge resistance: below the power supply voltage value indicated in the section on maximum rated values.
- 9) Please use a stabilized power supply. Noise from the power supply can cause operation errors. Noise resistance: max. ±20V (square waves with a width of 50ns or 1µs) To reduce the effect of noise from the power supply, install a capacitor on the sensor's power supply pin.
- 10) Operation errors can be caused by noise from static electricity, lightnings, cell phones, amateur radio, broadcasting offices, etc
- 11) The detection performance can be reduced by dirt on the lens, please be careful.
- 12) The lens is made of soft materials (Polyethylene). Please avoid adding weight or impacts that may change its shape, causing operation errors or reduced performance.
- 13) The specified temperature and humidity levels are suggested to prolong usage. However, they do not guarantee durability or environmental resistance. Generally, high temperatures or high humidity levels will accelerate the deterioration of electrical components. Please consider both the planned usage and environment to determine the expected reliability and length of life of the product.
- 14) Do not attempt to clean this product with detergents or solvents such as benzene or alcohol, as these can cause shape or color alterations.
- 15) Avoid storage in high, low temperature or liquid environments. Also, avoid storage in environments containing corrosive gas, dust, salty air etc. Adverse conditions may cause performance deterioration and the sensor's main part or the metallic connectors could be damaged.
- 16) Storage conditions
Temperature: +5 to +40°C, humidity: 30 to 75%
Please use within 1 year after delivery.

Safety precautions

Obey the following precautions to prevent injury or accidents.

- 1) Do not use these sensors under any circumstance in which the range of their ratings, environment conditions or other specifications are exceeded. Using the sensors in any way which causes their specifications to be exceeded may generate abnormally high levels of heat, emit smoke, etc., resulting in damage to the circuitry and possibly causing an accident.
- 2) Our company is committed to making products of the highest quality and reliability. Nevertheless, all electrical components are subject to natural deterioration, and durability of a product will depend on the operating environment and conditions of use. Continued use after such deterioration could lead to overheating, smoke or fire. Always use the product in conjunction with proper fire-prevention, safety and maintenance measures to avoid accidents, reduction in product life expectancy or break-down.
- 3) Before connecting, check the pin layout by referring to the connector wiring diagram, specifications diagram, etc., to verify that the connector is connected properly. Mistakes made in connection may cause unforeseen problems in operation, generate abnormally high levels of heat, emit smoke, etc., resulting in damage to the circuitry.
- 4) Do not use any motion sensor which has been disassembled or remodeled.
- 5) Failure modes of sensors include short-circuiting, open-circuiting and temperature rises. If this sensor is to be used in equipment where safety is a prime consideration, examine the possible effects of these failures on the equipment concerned, and ensure safety by providing protection circuits or protection devices.
Example : Safety equipment and devices, traffic signals, burglar and disaster prevention devices, controlling and safety device for trains and motor vehicles

MEMO

Global Network

Europe

Headquarters	Panasonic Industry Europe GmbH
Austria	Panasonic Industry Austria GmbH
The Netherlands	Panasonic Industry Benelux B.V.
Czech Republic	Panasonic Industry Europe GmbH
France	Panasonic Industry Europe GmbH Panasonic Electric Works Sales Western Europe B.V.
Germany	Panasonic Industry Europe GmbH
Hungary	Panasonic Industry Europe GmbH
Ireland	Panasonic Industry UK Ltd
Italy	Panasonic Industry Italia srl
Nordic Countries	Panasonic Industry Europe GmbH
Poland	Panasonic Industry Poland sp. z o.o.
Spain	Panasonic Industry Europe GmbH
Switzerland	Panasonic Industry Switzerland AG
United Kingdom	Panasonic Industry Europe GmbH Panasonic Industry United Kingdom Ltd.

East Asia

China	Panasonic Industry (China) Co., Ltd.
Hong Kong	Panasonic Industrial Devices Sales (Hong Kong) Co., Ltd.
Taiwan	Panasonic Industrial Devices Sales Taiwan Co., Ltd.
Korea	Panasonic Industrial Devices Sales Korea Co., Ltd.
Japan	Panasonic Industrial Devices Sales Japan Co., Ltd.

Asia-Pacific

Singapore / Indonesia	Panasonic Industry Sales Asia Pacific
Thailand	Panasonic Solutions (Thailand) Co., Ltd.
Malaysia	Panasonic Industrial Devices Sales (M) Sdn. Bhd.
Philippines	Panasonic Manufacturing Philippines Corporation
India	Panasonic Life Solution India Pvt. Ltd.
Vietnam	Panasonic Vietnam Co., Ltd. / Panasonic Sales Vietnam
Turkey	Panasonic Elektronik Satis A.S., PTR.

The Americas

United States (Headquarters in NJ)	Panasonic Industrial Devices Sales Company of America
Canada	Panasonic Canada Inc
Brazil	Panasonic Do Brasil Limitada



We are dedicated to the highest standards of global sustainability as **Your Committed Enabler**. Find out more on our [website](#).

Panasonic Industry Europe GmbH

Caroline-Herschel-Strasse 100
85521 Ottobrunn
Tel. 49 89 45354-1000
info.pieu@eu.panasonic.com
industry.panasonic.eu

